



FEATURES:

- RoHS compliant
- 24 Pin DIP Package
- Shielded metal package
- High efficiency up to 86%
- Wide 2:1 input range
- Operating temperature -40°C to + 85°C
- Input / Output Isolation 1500VDC
- Pin compatible with multiple manufacturers
- Continuous short circuit protection



Models
Single output

Model	Input Voltage (V)	Output Voltage (V)	Output Current max (mA)	Isolation (VDC)	Max. Cap. Load (µF)	Efficiency (%)
AM3T-0505S-NZ	4.5-9	5	600	1500	4700	74
AM3T-0512S-NZ	4.5-9	12	250	1500	2700	77
AM3T-0515S-NZ	4.5-9	15	200	1500	2200	77
AM3T-1203S-NZ	9-18	3.3	909	1500	4700	74
AM3T-1205S-NZ	9-18	5	600	1500	4700	81
AM3T-1212S-NZ	9-18	12	250	1500	2700	83
AM3T-1215S-NZ	9-18	15	200	1500	2200	82
AM3T-1224S-NZ	9-18	24	125	1500	1800	82
AM3T-2403S-NZ	18-36	3.3	909	1500	4700	78
AM3T-2405S-NZ	18-36	5	600	1500	4700	81
AM3T-2409S-NZ	18-36	9	333	1500	2700	81
AM3T-2412S-NZ	18-36	12	250	1500	2700	86
AM3T-2415S-NZ	18-36	15	200	1500	2200	86
AM3T-2424S-NZ	18-36	24	125	1500	1800	85
AM3T-4803S-NZ	36-75	3.3	909	1500	4700	76
AM3T-4805S-NZ	36-75	5	600	1500	4700	82
AM3T-4812S-NZ	36-75	12	250	1500	2700	86
AM3T-4815S-NZ	36-75	15	200	1500	2200	86
AM3T-4824S-NZ	36-75	24	125	1500	1000	84

Models
Dual output

Model	Input Voltage (V)	Output Voltage (V)	Output Current max (mA)	Isolation (VDC)	Max. Cap. Load (µF)	Efficiency (%)
AM3T-0505D-NZ	4.5-9	±5	±300	1500	±2200	76
AM3T-0509D-NZ	4.5-9	±9	±166	1500	±1800	76
AM3T-0512D-NZ	4.5-9	±12	±125	1500	±1800	78
AM3T-0515D-NZ	4.5-9	±15	±100	1500	±1000	78
AM3T-1205D-NZ	9-18	±5	±300	1500	±2200	81
AM3T-1209D-NZ	9-18	±9	±166	1500	±1800	84
AM3T-1212D-NZ	9-18	±12	±125	1500	±1800	84
AM3T-1215D-NZ	9-18	±15	±100	1500	±1000	85
AM3T-2405D-NZ	18-36	±5	±300	1500	±2200	82
AM3T-2412D-NZ	18-36	±12	±125	1500	±1800	84
AM3T-2415D-NZ	18-36	±15	±100	1500	±1000	84
AM3T-4805D-NZ	36-75	±5	±300	1500	±2200	82
AM3T-4812D-NZ	36-75	±12	±125	1500	±1800	84
AM3T-4815D-NZ	36-75	±15	±100	1500	±1000	85
AM3T-4824D-NZ	36-75	±24	±63	1500	±680	84

NOTE: All specifications are measured at an ambient temperature of 25°C, humidity<75%, nominal input voltage and at rated output load unless otherwise specified.

Input Specifications

Parameters	Nominal	Typical	Maximum	Units
Voltage range	5 Vin	4.5-9		VDC
	12 Vin	9-18		
	24 Vin	18-36		
	48 Vin	36-75		
Filter	□ (Pi) Network			
Absolute Maximum	5 Vin		12	VDC
	12 Vin		25	
	24 Vin		50	
	48 Vin		100	

Isolation Specifications

Parameters	Conditions	Typical	Maximum	Units
Tested I/O voltage	60 sec	1500		VDC
Resistance		> 1000		MOhm
Capacitance		120		pF

Output Specifications

Parameters	Conditions	Typical	Maximum	Units
Voltage accuracy		±1		%
Dual Output Voltage Balance	Balanced Loads	±0.5		%
Short Circuit protection		Continuous		
Short circuit restart		Auto-recovery		
Line voltage regulation		±0.2		%
Load voltage regulation		±0.2		%
Temperature coefficient		±0.03		%/°C
Ripple & Noise	20MHz bandwidth	75		mV p-p
Transient Recovery Time	25% Load Step	0.5		m sec
Transient Deviation	25% Load Step	±2		%

General Specifications

Parameters	Conditions	Typical	Maximum	Units
Switching frequency	100% load	200		KHz
Operating temperature	With derating above +85C	-40 to +85		°C
Storage temperature		-55 to +125		°C
Max Case temperature			100	°C
Temperature Rise	Full Load, 25°C	25°C		°C
Lead Temperature	1.5mm from case for 10 Seconds		300	°C
Cooling	Free air convection			
Humidity			95	%
Case material	Black Anodized Aluminum			
Weight		14		g
Dimensions (L x W x H)	1.26 x 0.80 x 0.42 inches 32.00 x 20.00 x 10.80mm			
MTBF	>1 000000 hrs(MIL-HDBK -217F, Ground Benign, t=+25°C)			

Safety Specifications

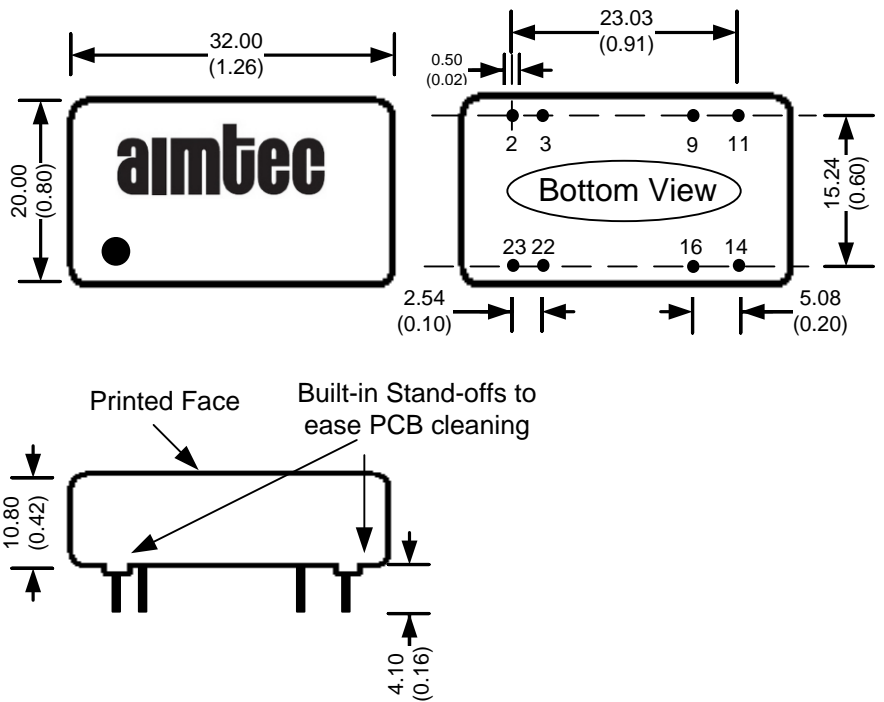
Parameters	
Agency approvals	cULus (AM3T-2405S-NZ and AM3T-2415S-NZ only)
Standards	UL 60950-1

Pin Out Specifications

Pin	1500VDC	
	Single	Dual
1	No pin	No pin
2	-V Input	-V Input
3	-V Input	-V Input
9	No pin	Common
10	No pin	No pin
11	N.C.	-V Output
12/13	No pin	No pin
14	+V Output	+V Output
15	No pin	No pin
16	-V Output	Common
22	V+ Input	+V Input
23	V+ Input	+V Input
24	No pin	No pin

N.C.: not connected

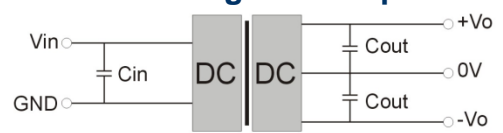
Dimensions



Filtering Single output



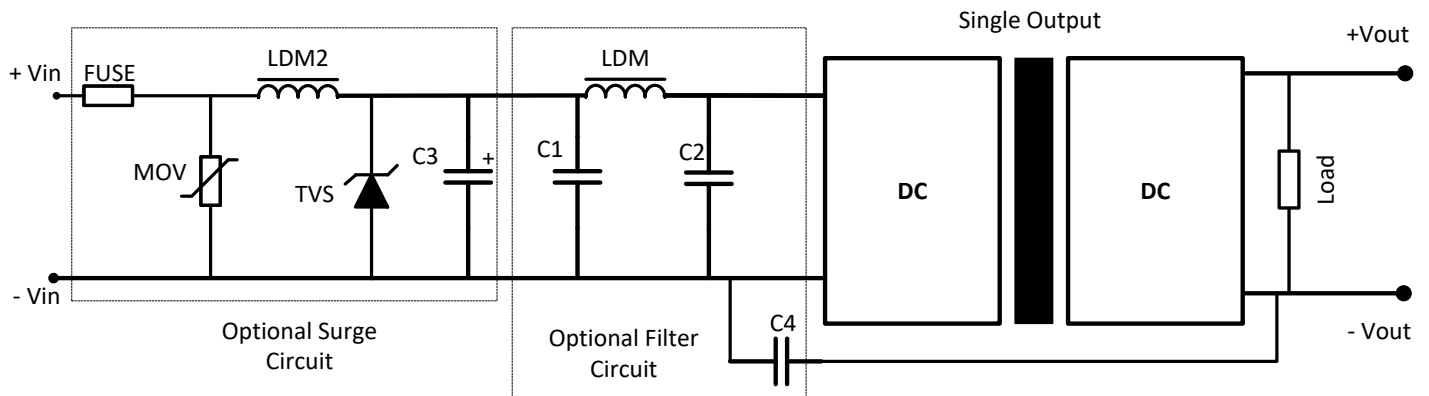
Filtering Dual output



External capacitors

Vin (VDC)	Cin (uF)	Cout (uF)
5 & 12	100	10
24 & 48	10-47	10

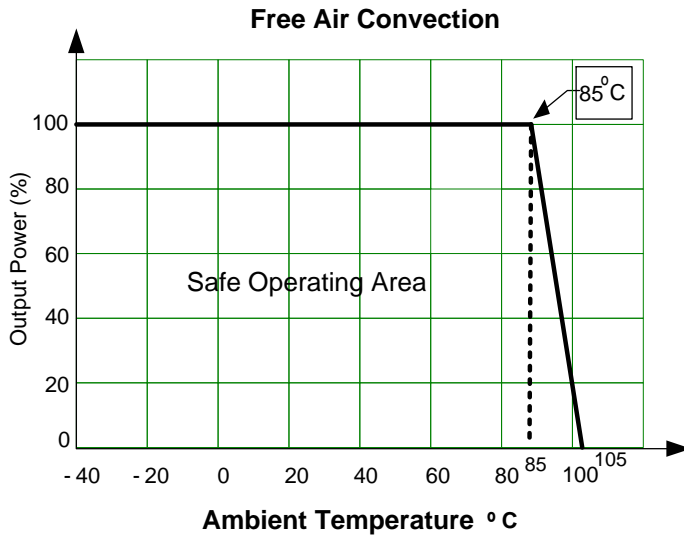
Recommended Circuit



Model	C1	C2	C4	LDM	MOV	TVS	C3	LDM2
5 Vin	4.7 μ F / 50V	4.7 μ F / 50V	1 nF / 2KV	12 μ H	-	SMCJ16A	680 μ F / 25V	-
12 Vin	4.7 μ F / 50V	4.7 μ F / 50V	1 nF / 2KV	12 μ H	-	SMCJ28A	680 μ F / 25V	-
24 Vin	4.7 μ F / 50V	4.7 μ F / 50V	1 nF / 2KV	12 μ H	S14K35	SMCJ48A	330 μ F / 50V	56 μ H
48 Vin	4.7 μ F / 100V	4.7 μ F / 100V	1 nF / 2KV	12 μ H	S14K60	SMCJ90A	330 μ F / 100V	56 μ H

Note: Fuse is user selectable

Derating



NOTE: **1.** Datasheets are updated as needed and as such, specifications are subject to change without notice. Once printed or downloaded, datasheets are no longer controlled by Aimtec; refer to www.aimtec.com for the most current product specifications. **2.** Product labels shown, including safety agency certifications on labels, may vary based on the date manufactured. **3.** Mechanical drawings and specifications are for reference only. **4.** All specifications are measured at an ambient temperature of 25°C, humidity<75%, nominal input voltage and at rated output load unless otherwise specified. **5.** Aimtec may not have conducted destructive testing or chemical analysis on all internal components and chemicals at the time of publishing this document. CAS numbers and other limited information are considered proprietary and may not be available for release. **6.** This product is not designed for use in critical life support systems, equipment used in hazardous environments, nuclear control systems or other such applications which necessitate specific safety and regulatory standards other the ones listed in this datasheet. **7.** Warranty is in accordance with Aimtec's standard Terms of Sale available at www.aimtec.com.