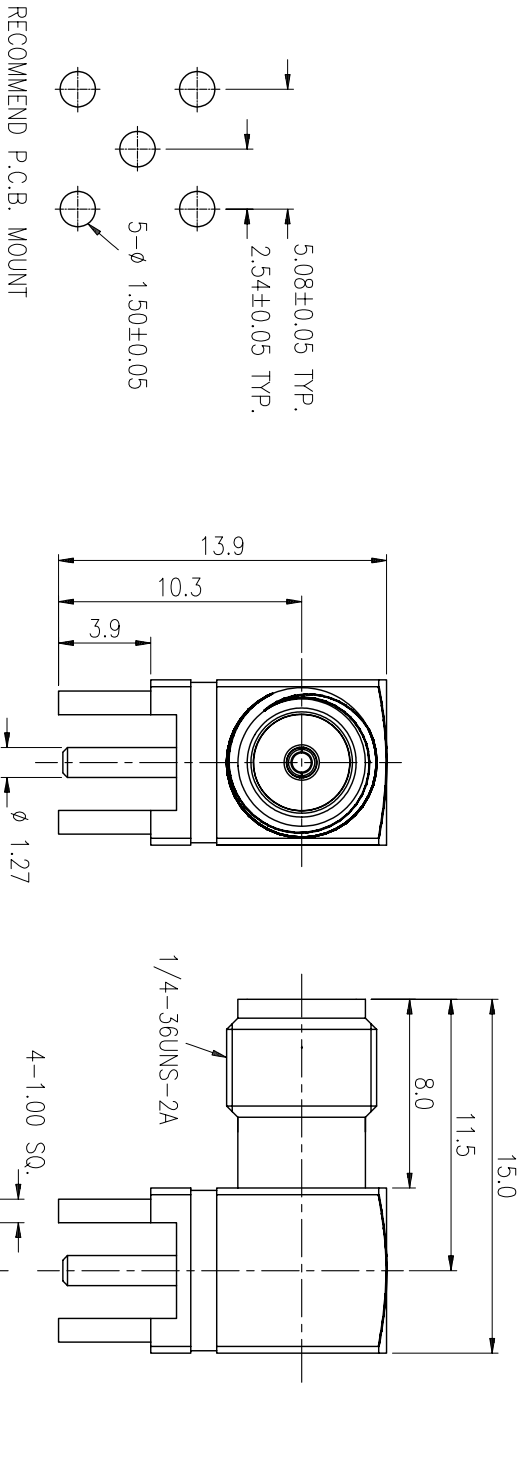


ROHS COMPLIANT

REVISIONS		1		
ZONE	REV	DESCRIPTION	DATE	APPROVED
A		INITIAL DESIGN	2009/05/05	<i>Wen-Ming Shue</i>



RECOMMEND P.C.B. MOUNT

NO	DESCRIPTION	MATERIAL	FINISH	QTY	DRAWN NO.
05	INSULATOR B	TEFLON	NONE	1	
04	BODY B	BRASS	GOLD	1	
03	CONTACT	BERYLLIUM COPPER	GOLD	1	
02	INSULATOR A	TEFLON	NONE	1	
01	BODY A	BRASS	GOLD	1	

Wellshow Technology Co., Ltd
 TEL: +886-2-24270488 FAX: +886-2-24260387
[Http://www.rfoaxcable.com](http://www.rfoaxcable.com)

TITLE	SMA R/A Jack for PCB Receptacle	
DWG NO.	C02BN30P00102	
GENERAL TOLERANCES	X ±0.25 XX ±0.12 XXX N/A ANGLES 45°	
CUSTOMER P/N	UNIT	REV.
SCALE	Free	mm A
SIZE	A4	DATE
SHEET	1 of 1	APPROVALS
		CHKD BY: <i>Wen-Ming Shue</i> 2009/05/05
		APPD BY: <i>Shue</i> 2009/05/05

8	7	6	5	4	3	2	1
---	---	---	---	---	---	---	---