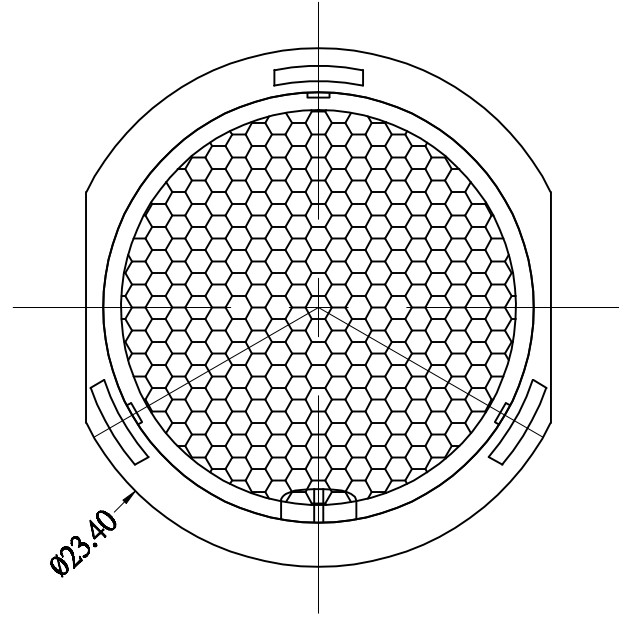
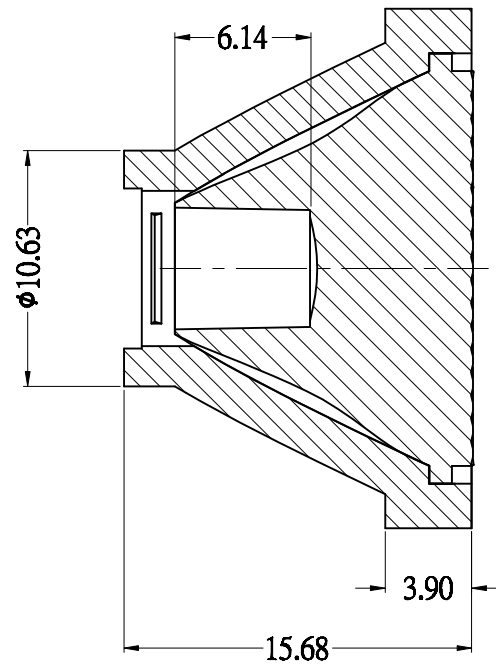



LBR-0024-Y-F0-T	LBR-0024-Y-F0-T	LBR-0024A
LBR-0013-Y-15-N	PC+ABS/W	



3RD. ANGLE'S 	MATERIAL PMMA	COLOR	SCALE 3:1	DRAWN	DESIGNER	TITLE	ITEM NO.
						40°	LBR-0024A
				CHECKED	APPROVED	DWG NO.	REVISION
						MOLD NO.	A0
						2007.05.09	