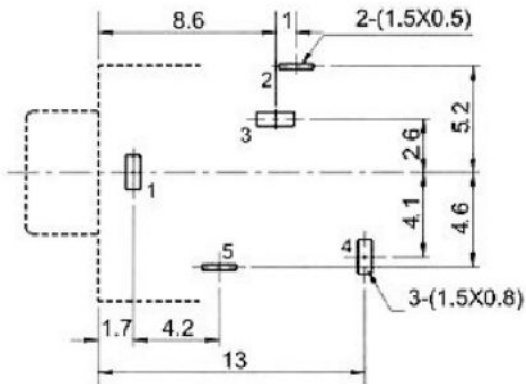
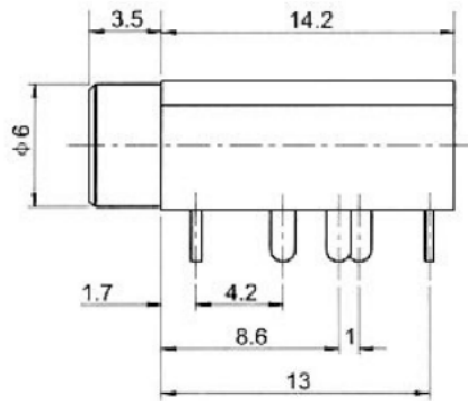
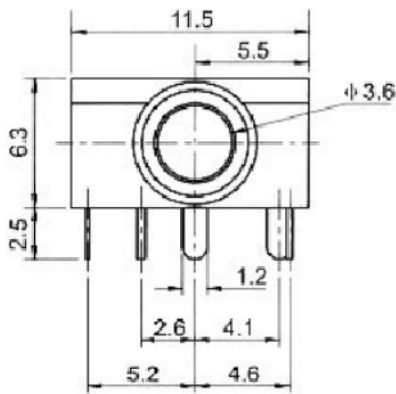


PJ 324M

Product	Headphone Stereo jack/Audio connector/5PIN/TH
Product Model	PJ324M/ 3.5mm
Operating Temperature	-30 ~70
Voltage Rating	500V
Colour	Black



PJ-324	PJ-324-1	PJ-324-2	PJ-324-3
PJ-324M	PJ-324M-1	PJ-324M-2	PJ-324M-3

