

# Series 1010

- Universal field of application
- Compact design
- Short travel
- Contacting of assembled PCBs

### Mechanical Data

Center	1.91 mm/75 mil
Temperature Range	-30 °C - +120 °C
Full Travel	3.00 mm
Working Travel	2.40 mm
Pre-loaded Spring Force	0.30/ 0.50 N
Spring Force at Working Travel	1.50/ 2.25 N

### Electrical Data

Max. Current Rating	2.0 A
Typical Continuity Resistance	<= 20 mOhm

### Materials

Barrel	Bronze, gold plated
Spring	Spring Steel, Stainless Steel, gold plated
Plunger	Steel, CuBe
Receptacle	Bronze, gold plated

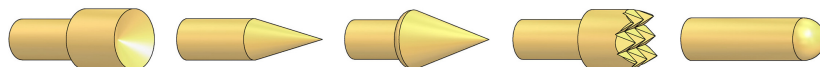
### Recommended Diameter of Drill

HP 2361.1 (Trolitax)	1.30 mm
with pressed-in Ring	1.46 mm
HGW 2372	1.32 mm
with pressed-in Ring	1.47 mm

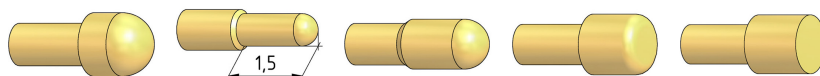
### High-Temperature Applications

Temperature Range	-40 °C - +250 °C
Pre-Loaded Spring Force	0.20 N
Spring Force at Working Travel (Order Index E)	0.80 N

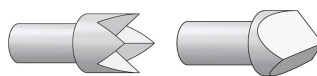
### Tip style - Diameter - Plating



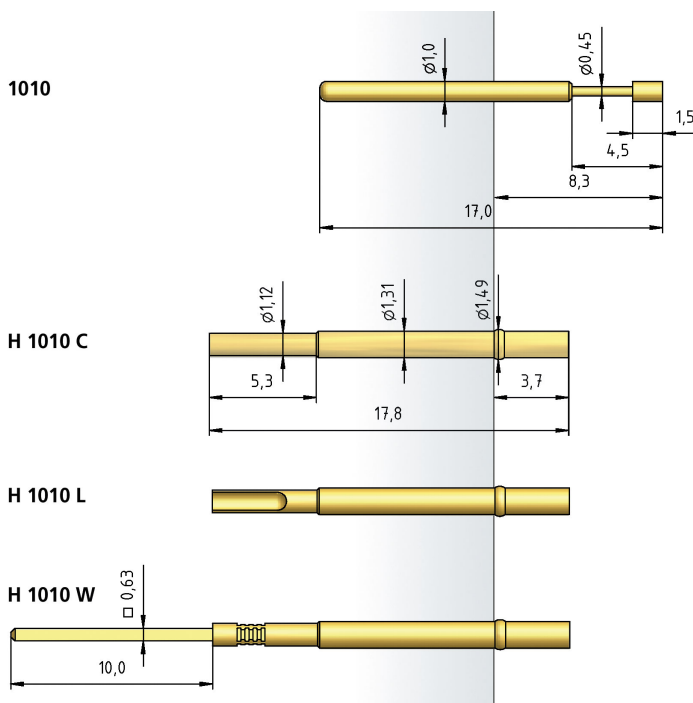
A	B	B1	C	D
1.50 Au	0.45 Au/Ni	0.70 Au	1.50C Au	0.50 Au



D	D2	D2	DF	F
0.65 Au 1.00 Au	0.40 Au	0.60 Au	1.00 Au	1.00 Au 1.50 Ni



G	H
1.50 Rh	1.50 Ni



### How to Order

1010	-	A	-	0.8 N	E	-	Au	-	1.5
1	2	3	4	5	6				

1. Series 2. Tip Style 3. Spring Force  
4. High Temperature 5. Tip Plating 6. Tip Diameter