

Series 1010

- Universal field of application
- Compact design
- Short travel
- Contacting of assembled PCBs

Mechanical Data

Center	1.91 mm/75 mil
Temperature Range	-30 °C - +120 °C
Full Travel	3.00 mm
Working Travel	2.40 mm
Pre-loaded Spring Force	0.30/ 0.50 N
Spring Force at Working Travel	1.50/ 2.25 N

Electrical Data

Max. Current Rating	2.0 A
Typical Continuity Resistance	<= 20 mOhm

Materials

Barrel	Bronze, gold plated
Spring	Spring Steel, Stainless Steel, gold plated
Plunger	Steel, CuBe
Receptacle	Bronze, gold plated

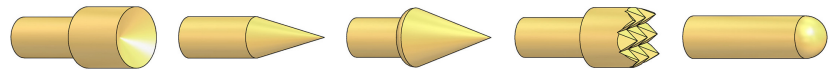
Recommended Diameter of Drill

HP 2361.1 (Trolitax)	1.30 mm
with pressed-in Ring	1.46 mm
HGW 2372	1.32 mm
with pressed-in Ring	1.47 mm

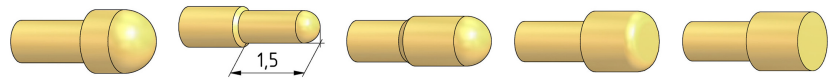
High-Temperature Applications

Temperature Range	-40 °C - +250 °C
Pre-Loaded Spring Force	0.20 N
Spring Force at Working Travel (Order Index E)	0.80 N

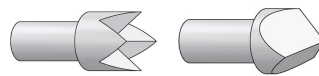
Tip style - Diameter - Plating



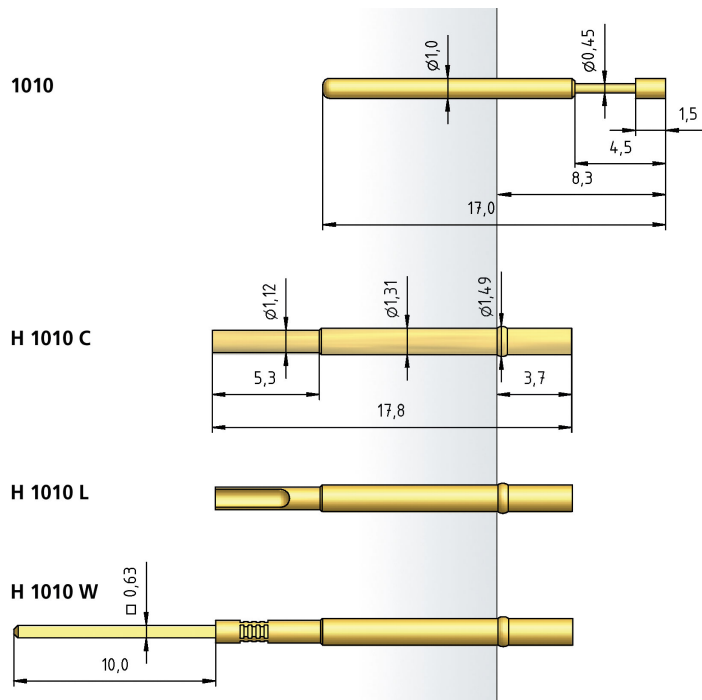
A	B	B1	C	D
1.50 Au	0.45 Au/Ni	0.70 Au	1.50C Au	0.50 Au



D	D2	D2	DF	F
0.65 Au 1.00 Au	0.40 Au	0.60 Au	1.00 Au	1.00 Au 1.50 Ni



G	H
1.50 Rh	1.50 Ni



How to Order

1010	-	A	-	0.8 N	E	-	Au	-	1.5
1	2	3	4	5	6				

1. Series 2. Tip Style 3. Spring Force
4. High Temperature 5. Tip Plating 6. Tip Diameter