

Outline Drawing - Isolators / Circulators

Search
Isolator/Circulator

Search
Divider/Combiner

Home | Stock List

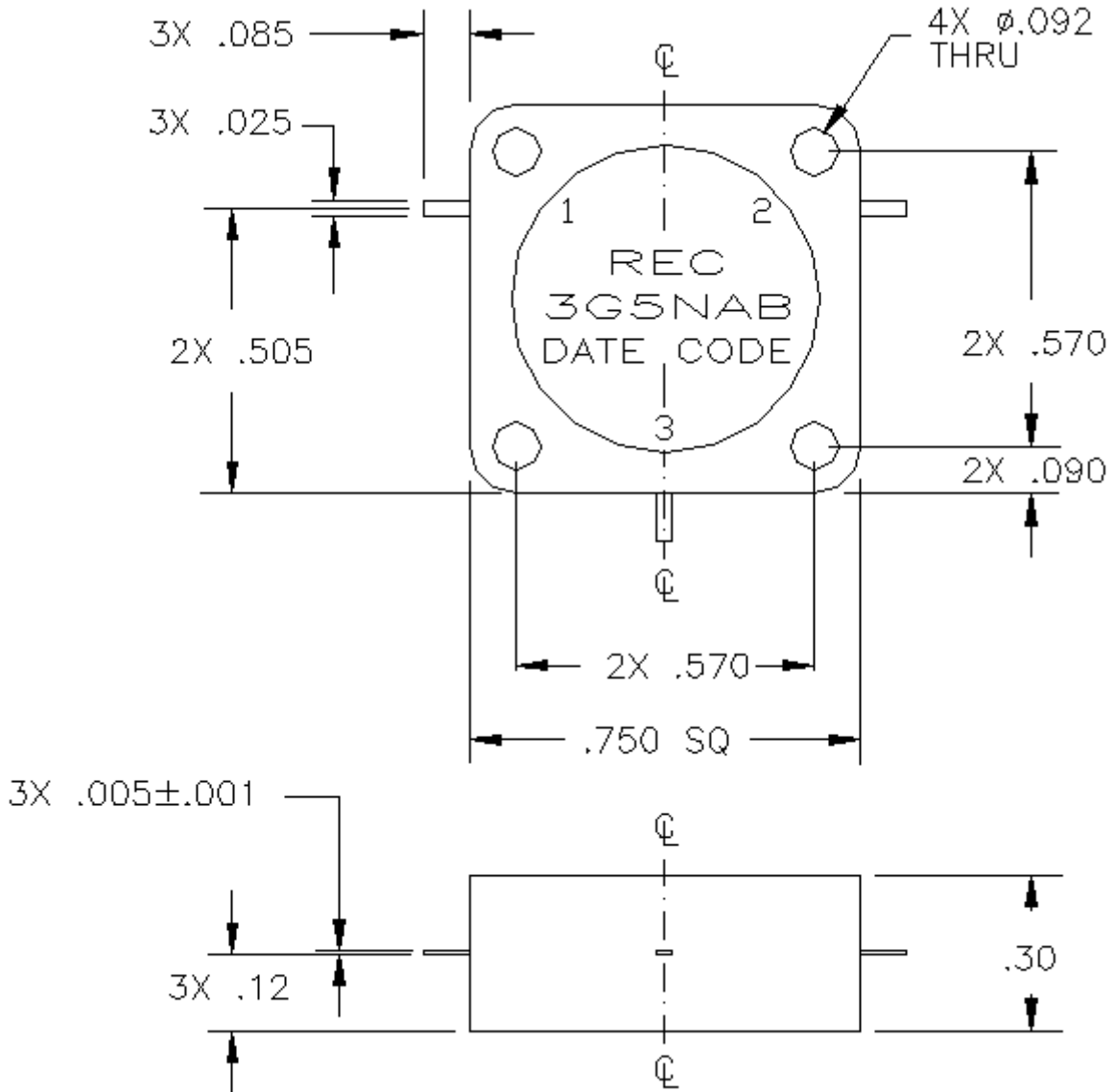
Back to Search Result

DROP IN CIRCULATOR

3G5NAB

Search Again

As detailed specifications are subject to change, please contact our company at 978-772-7774 or sales@rec-usa.com to ensure accuracy for your requirements



Frequency GHz		Temperature C		Isolation Min dB	Loss Max dB	VSWR	PowerPK Watts	PowerCW Watts	Termination Watts	Size Inch l * w * h
Min	Max	Min	Max							
2.7	2.9	0	40	20	0.35	1.25	1500	150	0	**

[Back to Search Result](#)

[Search Again](#)