

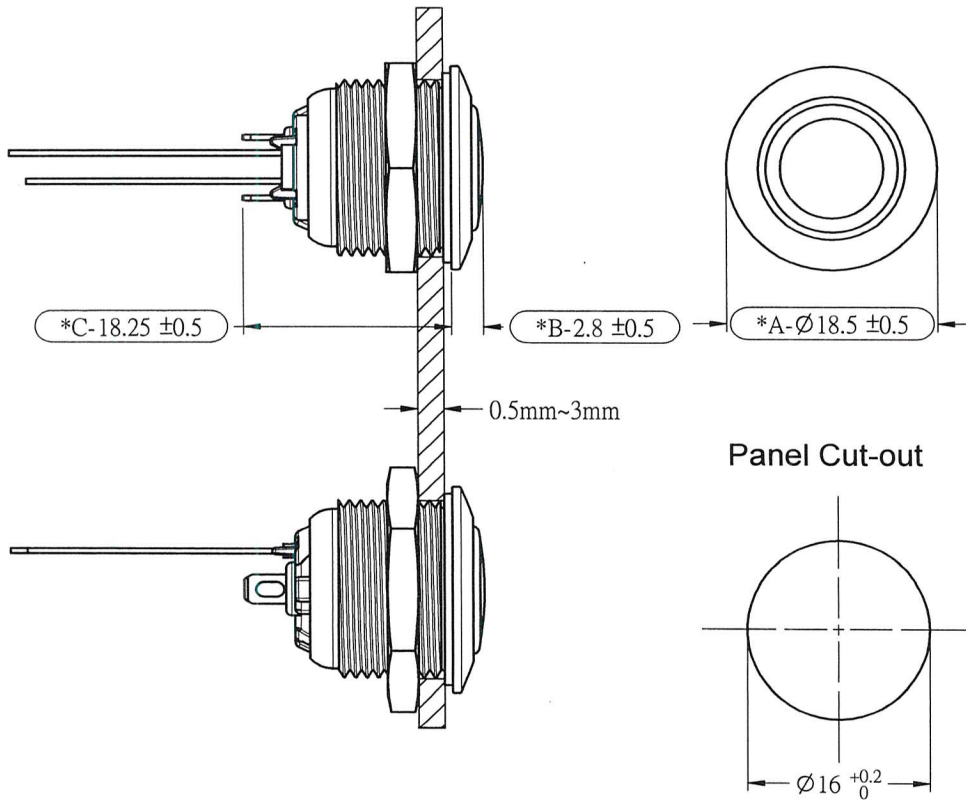
Type No. :

F12S1-□21□□D□002

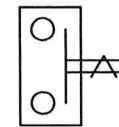
RoHS  
Compliant

- : Material / Finish
  - S: Stainless Steel
  - P: Brushed Stainless Steel
  - A: Aluminum
  - B: Dark Aluminum
- : LED Color
  - G: Green
  - R: Red
  - A: Amber
  - B: Blue
  - W: White
- : LED Voltage
  - 2: 6V
  - 3: 12V
- : Function
  - 1: Momentary
  - 2: Maintained
- Mark ——— 002: Ring

Dimensions



Electrical Diagram



- Terminal : Solder
- Mechanical lifetime : >50,000 operations
- Electrical lifetime : >50,000 operations
- Electric rating : 48V DC 100mA
- Dielectric Strength : 1000V AC 60Hz 1min.
- Insulation Resistance : 100MΩ
- Panel thickness : 0.5mm~3mm
- Degree of protection : IP67
- Operating temperature : -25°C to 50°C
- Contact resistance : 50mΩ (initial)

文件管制  
OCT 19. 2015  
文管中心

A
REV.

<b>DECA<sup>®</sup>SwitchLab Inc.</b>			PART NAME	UNIT	SCALE
			F12S1-x21xxDx002	MM	
DESIGN 宋志華	CHECK [Signature]	APPROVE [Signature]	DRAWING NO.		SHEET
DATE 2015/10/19	DATE 2015/10/19	DATE 2015/10/19	F12S1-x21xxDx002		1 / 1