

Type No. :

F24S1-□ 2 □ 0 N P □ 000

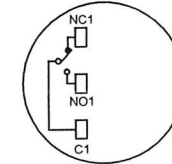
RoHS
Compliant

□: Material Finish — S: Stainless Steel A: Aluminum
P: Brushed Stainless Steel B: Dark Aluminum

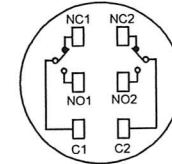
□: Contacts — 3: 1NO 1NC
4: 2NO 2NC

□: Function — 1: Momentary
2: Maintained

Contact Diagram

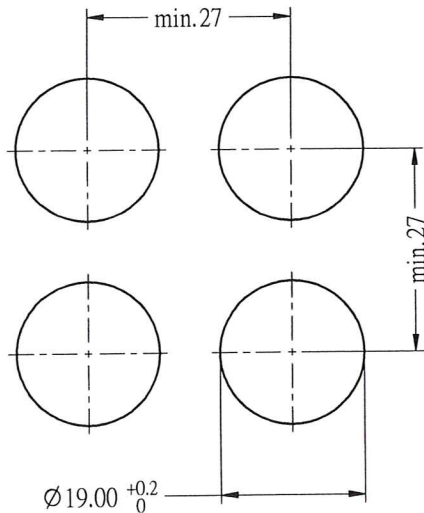


1NO 1NC

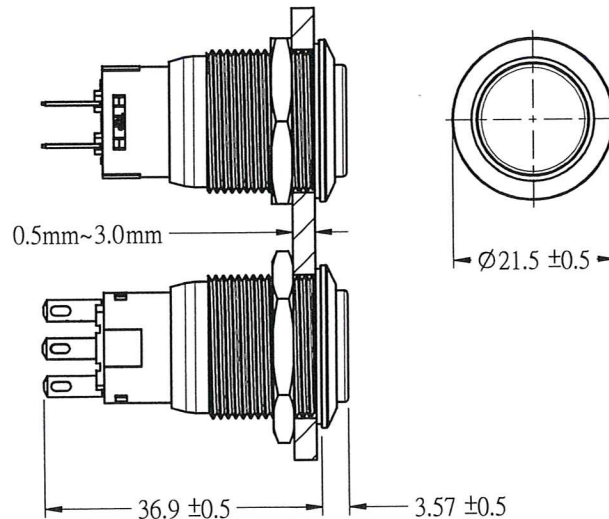


2NO 2NC

Mounting Dimensions



Dimensions



- Terminal : Solder
- Mechanical lifetime : >0.1 million operations
- Electrical lifetime : >0.1 million operations
- Electric rating : 250V AC 5A
- Dielectric Strength : 2000V AC · 1min.
- Insulation Resistance : 100MΩ · 1min(500V DC megger)
- Panel thickness : 0.5mm~3mm
- Degree of protection : IP67
- Operating temperature : -25°C to 50°C
- Contact resistance : 50mΩ (initial)

文件管制
MAY 20. 2015
文管中心

DECA[®]SwitchLab Inc.			PART NAME	UNIT	SCALE
			F24S1-x2x0NPx000	MM	
DESIGN 許智凱	CHECK V. Z. H.	APPROVE J. L. L.	DRAWING NO.		SHEET
DATE 2015/05/20	DATE 2015/05/20	DATE 2015/05/20	F24S1-x2x0NPx000		1 / 1

A
REV.