

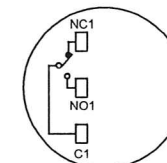
Type No. :

F24S1- □ 2 □ □ □ P □ 002

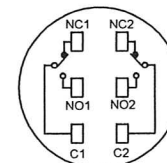
RoHS
Compliant

- : Material Finish
 - S: Stainless Steel
 - P: Brushed Stainless Steel
 - A: Aluminum
 - B: Dark Aluminum
- : LED Color
 - A: Amber
 - B: Blue
 - G: Green
 - R: Red
 - W: White
- : LED Voltage
 - 2: 6V
 - 3: 12V
 - 4: 24V
- : contacts
 - 3: 1NO 1NC
 - 4: 2NO 2NC
- : Function
 - 1: Momentary
 - 2: Maintained

Contact Diagram

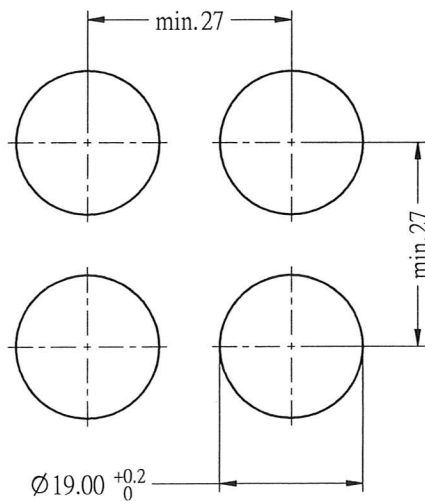


1NO 1NC

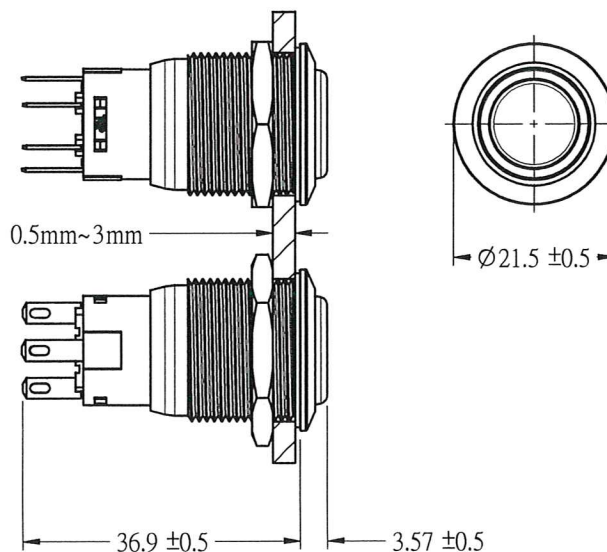


2NO 2NC

Mounting Dimensions



Dimensions



- Terminal : Solder
- Mechanical lifetime : >0.1 million operations
- Electrical lifetime : >0.1 million operations
- Electric rating : 250V AC 5A
- Dielectric Strength : 2000V AC · 1min.
- Insulation Resistance : 100MΩ · 1min(500V DC megger)
- Panel thickness : 0.5mm~3mm
- Degree of protection : IP67
- Operating temperature : -25°C to 50°C
- Contact resistance : 50mΩ (initial)

文件管制
MAY 20. 2015
文管中心

DECA[®]SwitchLab Inc.			PART NAME	UNIT	SCALE
			F24S1-x2xxxPx002	MM	
DESIGN 許智凱	CHECK [Signature]	APPROVE [Signature]	DRAWING NO.	SHEET	1 / 1
DATE 2015/05/20	DATE 2015/05/20	DATE 2015/05/20	F24S1-x2xxxPx002		