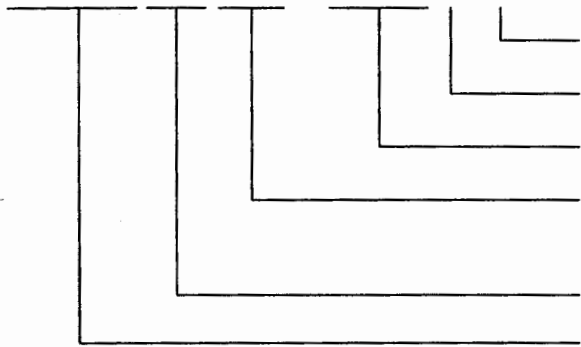


P16LMU3 - 1ab□□

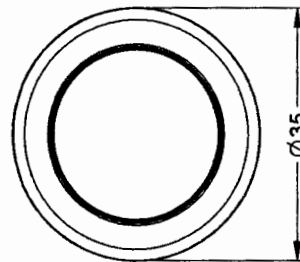
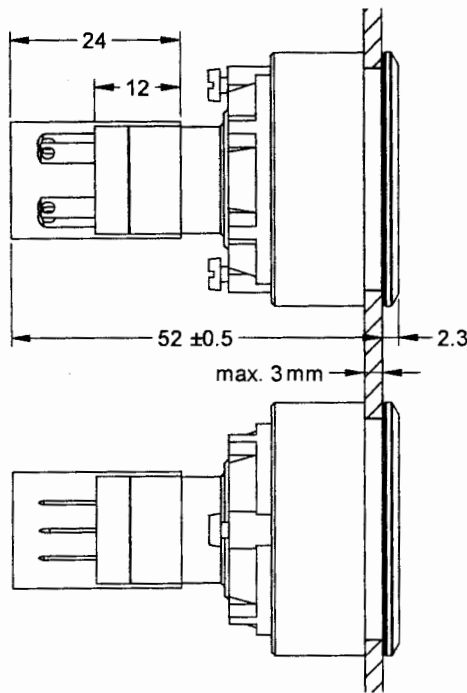


□ : Lens color
 □ : Lamps
 1ab: 1NO+1NC
 U3 : $\phi 35$ mm metal ring
 - flush mounted
 LM : Momentary
 P16 : Type

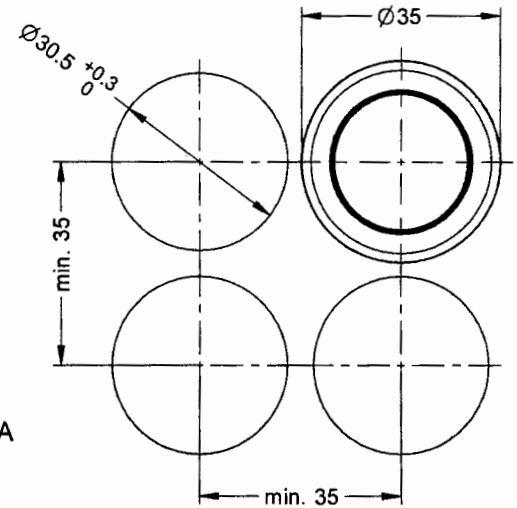
B : Blue
 G : Green
 O : Orange
 R : Red
 W : White
 Y : Yellow

0 : Without lamps
 A : Incandescent 6V
 AC/DC 200mA
 B : Incandescent 14V
 AC/DC 80mA
 C : Incandescent 28V
 AC/DC 40mA
 F : Neon 110V/AC
 G : Neon 220V/AC
 H : LED 6V DC
 J : LED 12V DC
 K : LED 24V DC

Socket Type Pushbutton Switch



Hole Dia

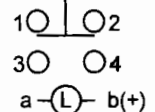
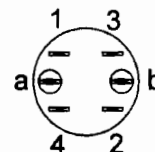


Bottom View

Electrical Diagram

Product Specifications

- Mechanical lifetime : >2 million operations
- Electric rating : 250V AC 5A(VDE) 125V AC 8A
250V DC 0.2A 24V DC 6A
- Max. insulation voltage : 2000V 60HZ 1min. between all terminals and ground
- Motion tolerance : <60 operation/min
- Panel thickness : 0.5mm ~ 3mm
- Degree of protection : IP 65
- Storage temperature : -40°C to +85°C
- Operating temperature : -25°C to +55°C with lamp
-25°C to +70°C without lamp



DECA[®] SwitchLab **Switchlab INC.**

CONFIRMED & ACCEPTED BY:



DRAWING NO.	P16LxUx-1abxx	VERSION	C	CONFIRMED BY	<i>[Signature]</i>
SHEET OF	1/1	METRIC	MM	GENERAL MANAGER	<i>[Signature]</i>
DRAWN BY	<i>[Signature]</i>	DATE	2006/06/20		