

Euromas II



Four new flat versions round off this innovative and successful IP 65 enclosure line.

Made from either high-quality polycarbonate or from lower-priced ABS, this enclosure line offers a wide range of benefits thanks to its easy-to-use screw-mounting system and the additional mounting bosses in the base.

The versions with a recessed membrane keypad area (-F) and/or PCB

The Euroflat line

In addition to the mounting bosses, a PCB can be clamp-fitted between the upper and lower sections.

More space is available because there are no bosses for terminal blocks.

Some come with mounting bosses for Eurocard 100 x 160 mm and 100 x 220 mm in the lower section.

plug-in slots (-LP/FLP) are ideal for use as electronic enclosures.

This enclosure is especially easy to recycle because there are no moulded-in metal parts, and in each case only one type of plastic is used.

Enclosure material: Polycarbonate or ABS.

Colour: Light grey, similar to RAL 7035. Special colours on request.

Scope of delivery: Upper and lower section; self-tapping coarse thread lid screws made of V2A; max. unscrewing force 45 Ncm.

Ingress protection: IP 65/DIN EN 60529; increased protection on request.

Lid seal: Sponge cord (neoprene) in lid groove.

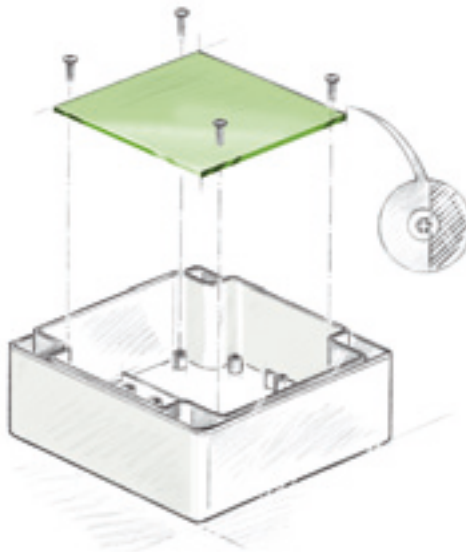
Accessories (additional charge):

- M: Mounting plate, laminated paper (Pertinax)
- SA: Screw covers, 1 set = 6 pcs
- GF: Set of rubber feet = 4 pcs
- WL: Set of wall brackets = 4 pcs
- TS 15: Top hat rail DIN EN 60715 TH15
- TS 32: G-rail DIN EN 60715 G 32
- TS 35: Top hat rail DIN EN 60715 TH35

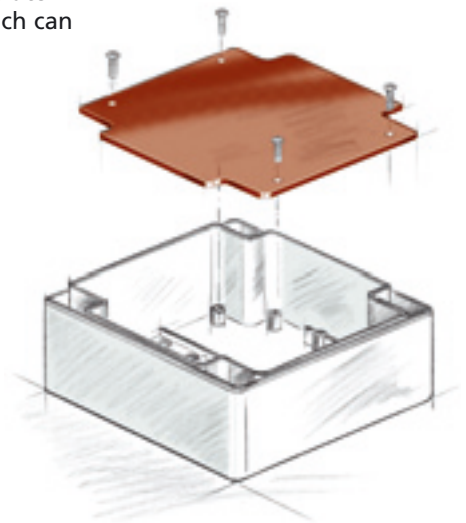
Notes:

- **F-version** with recessed area in upper section for flush-fitting of membrane keypads
- **LP-version** in lower section with plug-in slots for PCBs
- We recommend fitting the mounting plate or the DIN-rails with self-tapping screws
- Cable glands
- Terminal assignment
- Material shrinkage may result in ABS enclosures being approx. 0.1 - 0.25% larger than the PC enclosures illustrated

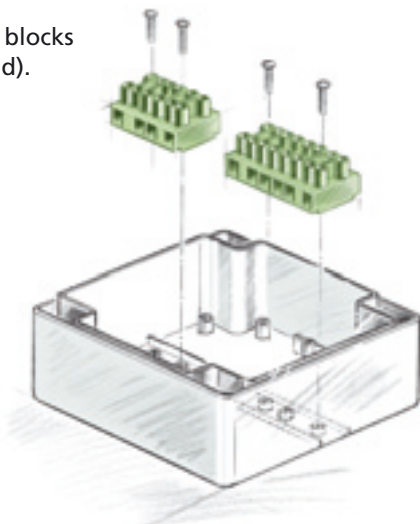
Off-set bosses for clamping rectangular PCBs or mounting plates (not included in BOPLA range).



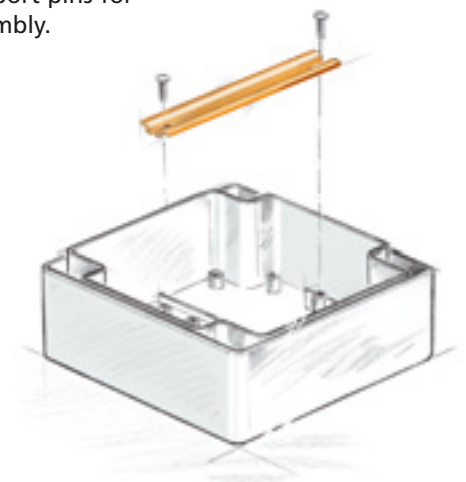
Standard mounting plate fixing, incl. some which can be fitted in the lid.



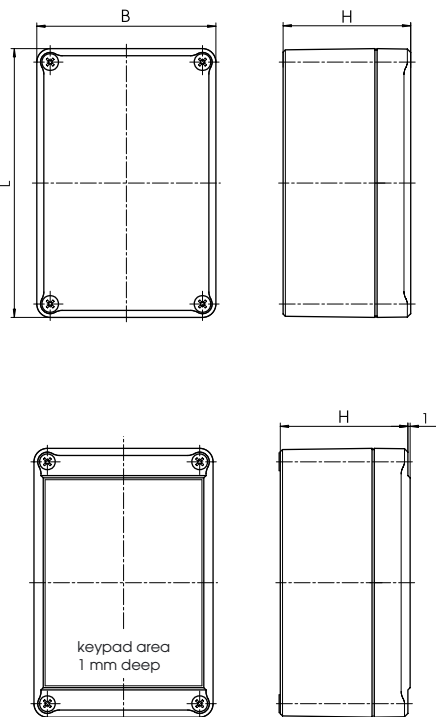
Bosses for terminal blocks (Type KL 16, Wieland).



Bosses with side support pins for non-tilt DIN-rail assembly.



Euromas II



Polycarbonate enclosures		ABS enclosures		Size		
Model	Order no.	Model	Order no.	L	W	H
EM 205	62205000	ET 205	63205000	52	50	37
EM 205 F	62205200	ET 205 F	63205200	52	50	37
EM 206	62206000	ET 206	63206000	65	50	37
EM 206 F	62206200	ET 206 F	63206200	65	50	37
EM 207 LP	62207300	ET 207 LP	63207300	82	60	57
EM 207 F-LP	62207400	ET 207 F-LP	63207400	82	60	57
EM 208	62208000	ET 208	63208000	98	64	38
EM 208 F	62208200	ET 208 F	63208200	98	64	38
EM 210	62210000	ET 210	63210000	82	80	57
EM 210 F	62210200	ET 210 F	63210200	82	80	57
EM 212	62212000	ET 212	63212000	100	100	57
EM 212 F	62212200	ET 212 F	63212200	100	100	57
EM 213*	62213000	ET 213	63213000	122	120	37
EM 213 F*	62213200	ET 213 F	63213200	122	120	37
EM 214 LP	62214300	ET 214 LP	63214300	200	120	57
EM 214 F-LP	62214400	ET 214 F-LP	63214400	200	120	57
EM 215	62215000	ET 215	63215000	120	80	57
EM 215 F	62215200	ET 215 F	63215200	120	80	57
EM 217	62217000	ET 217	63217000	122	120	57
EM 217 F	62217200	ET 217 F	63217200	122	120	57
EM 218 LP	62218300	ET 218 LP	63218300	150	150	57
EM 218 F-LP	62218400	ET 218 F-LP	63218400	150	150	57
EM 220	62220000	ET 220	63220000	160	80	57
EM 220 F	62220200	ET 220 F	63220200	160	80	57
EM 221	62221000	ET 221	63221000	200	120	77
EM 221 F	62221200	ET 221 F	63221200	200	120	77
EM 223	62223000	ET 223	63223000	200	150	77
EM 223 F	62223200	ET 223 F	63223200	200	150	77
EM 224 LP	62224300	ET 224 LP	63224300	240	80	60
EM 224 F-LP	62224400	ET 224 F-LP	63224400	240	80	60
EM 225	62225000	ET 225	63225000	82	80	87
EM 225 F	62225200	ET 225 F	63225200	82	80	87
EM 227	62227000	ET 227	63227000	122	120	87
EM 227 F	62227200	ET 227 F	63227200	122	120	87
EM 229*	62229000	ET 229	63229000	160	80	37
EM 229 F*	62229200	ET 229 F	63229200	160	80	37
EM 231	62231000	ET 231	63231000	160	80	87
EM 231 F	62231200	ET 231 F	63231200	160	80	87
EM 232*	62232000	ET 232	63232000	200	150	37
EM 232 F*	62232200	ET 232 F	63232200	200	150	37
EM 233*	62233000	ET 233	63233000	250	160	37
EM 233 F*	62233200	ET 233 F	63233200	250	160	37
EM 236 LP	62236300	ET 236 LP	63236300	240	80	80
EM 236 F-LP	62236400	ET 236 F-LP	63236400	240	80	80
EM 237	62237000	ET 237	63237000	200	120	92
EM 237 F	62237200	ET 237 F	63237200	200	120	92
EM 238	62238000	ET 238	63238000	160	120	92
EM 238 F	62238200	ET 238 F	63238200	160	120	92
EM 239	62239000	ET 239	63239000	250	160	57
EM 239 F	62239200	ET 239 F	63239200	250	160	57
EM 240	62240000	ET 240	63240000	250	160	92
EM 240 F	62240200	ET 240 F	63240200	250	160	92
EM 241	62241000	ET 241	63241000	250	160	122
EM 241 F	62241200	ET 241 F	63241200	250	160	122
EM 242	62242000	ET 242	63242000	240	120	102
EM 242 F	62242200	ET 242 F	63242200	240	120	102
EM 247 LP	62247300	ET 247 LP	63247300	300	160	120
EM 247 F-LP	62247400	ET 247 F-LP	63247400	300	160	120

Note

For Euromas II enclosures an additional model with PCB slots EM/ET...LP is available on request.

= The Euroflat line

* available on request

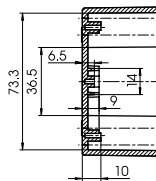
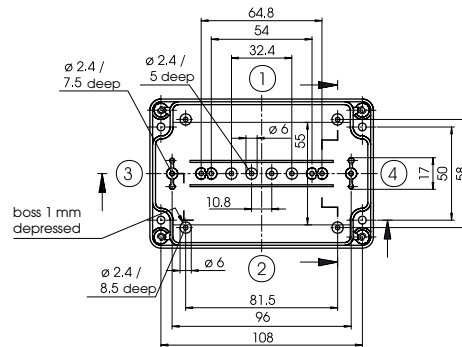
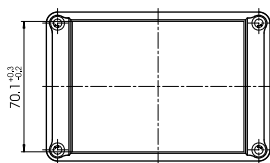
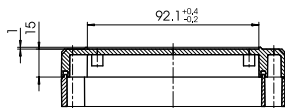
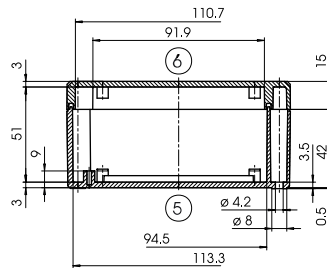
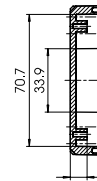
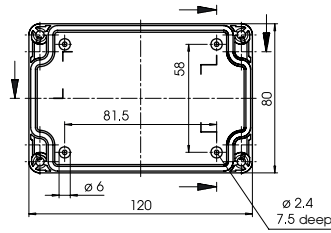
Order designation

Model	Material	Order no.
EM 215	PC	62215000
ET 215	ABS	63215000

Model	Material	Order no.
EM 215 F	PC	62215200
ET 215 F	ABS	63215200

(F = with membrane keypad area)

EM/ET 215 (F)



Z-2500878

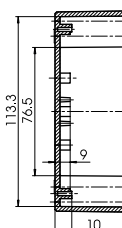
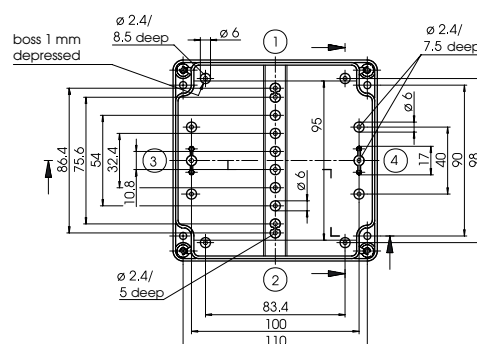
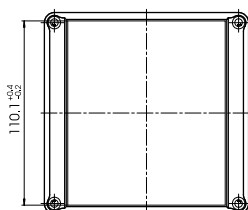
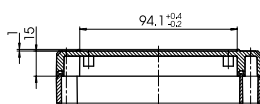
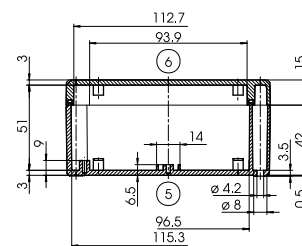
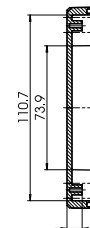
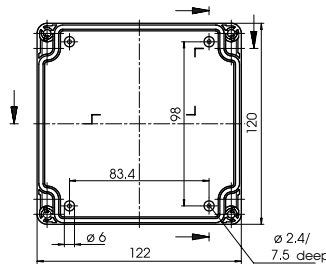
Order designation

Model	Material	Order no.
EM 217	PC	62217000
ET 217	ABS	63217000

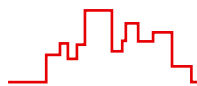
Model	Material	Order no.
EM 217 F	PC	62217200
ET 217 F	ABS	63217200

(F = with membrane keypad area)

EM/ET 217 (F)



Z-250983



Welcome to BOPLA City!

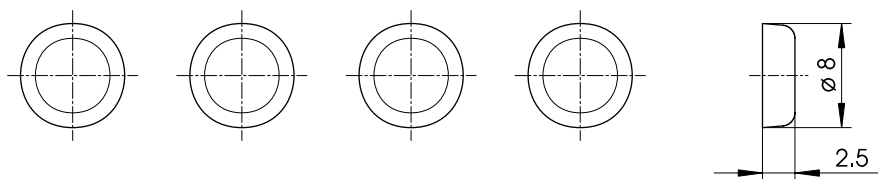
Euromas II accessories



Self-adhesive rubber feet

Model	Order no.
EM-GF	22009000

Scope of delivery: 1 set = 4 pcs



Z-2501779



Screw covers

Model	Order no.	Material
EM-SA	22080000	PC

Scope of delivery: 1 set = 6 pcs

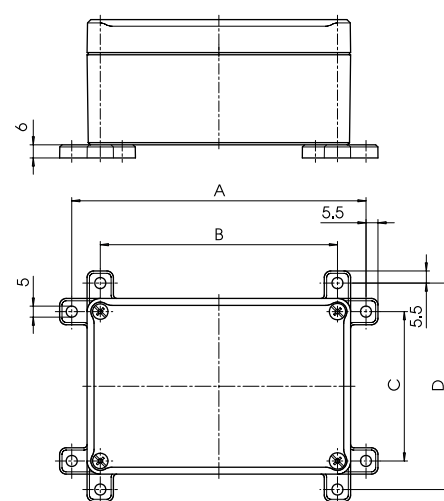
Wall brackets

Model	Order no.	Material
EM-WL	22010000	PC

Scope of delivery: 1 set = 4 pcs

Fitting dimensions

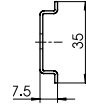
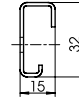
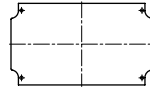
Model	A	B	C	D
EM/ET 210	96	70	68	94
EM/ET 212	114	88	88	114
EM/ET 213	136	110	108	134
EM/ET 214	214	188	108	134
EM/ET 215	134	108	68	94
EM/ET 217	136	110	108	134
EM/ET 218	164	138	138	164
EM/ET 220	174	148	68	94
EM/ET 221	214	188	108	134
EM/ET 223	214	188	138	164
EM/ET 224	254	228	68	94
EM/ET 225	96	70	68	94
EM/ET 227	136	110	108	134
EM/ET 229	174	148	68	94
EM/ET 231	174	148	68	94
EM/ET 232	214	188	138	164
EM/ET 233	264	238	148	174
EM/ET 236	254	228	68	94
EM/ET 237	214	188	108	134
EM/ET 238	174	148	108	134
EM/ET 239	264	238	148	174
EM/ET 240	264	238	148	174
EM/ET 241	264	238	148	174
EM/ET 242	254	228	108	134
EM/ET 247	313	287	147	173





Welcome to BOPLA City!

Euromas II accessories



M: Mounting plates,
laminated paper (Pertinax)
TS 15: Top hat rail DIN EN 60715 TH15
TS 32: G-rail DIN EN 60715 G 32
TS 35: Top hat rail DIN EN 60715 TH35

* can also be fitted in lid

Model	M	TS 15	TS 32	TS 35
205	22000100	-	-	-
206	22000200	22150501	-	-
207	22207001*	22150701	-	-
208	-	22150701	22320701	22350701
210	22000300	22150701	22320701	22350701
212	22212000*	22150901	22320901	22350901
213	-	22151101	22321101	22351101
214	22214001*	22151901	22321901	22351901
215	22000400	22151101	22321101	22351101
217	22000500	22151101	22321101	22351101
218	22218001*	22151401	22321401	22351401
220	22000600	22151501	22321501	22351501
221	22000700	22151901	22321901	22351901
223	22000800	22151901	22321901	22351901
224	22224001*	22152301	22322301	22352301
225	22000300	22150701	22320701	22350701
227	22000500	22151101	22321101	22351101
229	-	22151501	22321501	22351501
231	22000600	22151501	22321501	22351501
232	-	22151901	22321901	22351901
233	-	22152301	22322301	22352301
236	22224001*	22152301	22322301	22352301
237	22000700	22151901	22321901	22351901
238	22001100	22151501	22321501	22351501
239	22000900	22152301	22322301	22352301
240	22000900	22152301	22322301	22352301
241	22000900	22152301	22322301	22352301
242	22001200	22152301	22322301	22352301
247	22247001*	22152901	22322901	22352901

**Maximum assignment
with terminal blocks**

	Phoenix						Weidmüller				
	MBK 2.5	MBK 3	MBK 5	UK 3 N	UK 5 N	UK 10 N	AKZ 1.5	AKZ 2.5	AKZ 4	SAK 2.5	SAK 4
DIN-rail TS 15	X	X	X				X	X	X		
DIN-rail TS 32				X	X	X				X	X
DIN-rail TS 35				X	X	X					
Bridgeable		X	X	X	X	X	X	X	X	X	X
End angle-piece	2	2	2	2	2	2	2	2	2	2	2
Closing plate	-	1	1	1	1	1	1	1	1	1	1
Connection cross-section (mm ²) fine-strand	1.5	2.5	4	2.5	4	10	1.5	2.5	4	2.5	4
Connection cross-section (mm ²) single wire	2.5	4	4	4	6	16	2.5	4	6	4	10
Nominal voltage (V)	500	500	500	750	750	800	400	250	500	800	800
Rating (A)	26	32	34	34	34	76	17.5	24	32	24	32
Terminal width (mm)	5.2	5.2	6.2	5.2	6.2	10.2	5	5	6	6	6.5

Model	Number per DIN-rail						Number per DIN-rail				
EM/ET 205 (F)	1 x KL16/4 PA-DS terminal block						1 x KL16/4 PA-DS terminal block				
EM/ET 206 (F)	1 x KL16/8 PA-DS terminal block						1 x KL16/8 PA-DS terminal block				
EM/ET 207 LP	7	7	6				7	7	6		
EM/ET 208 (F)	7						7				
EM/ET 210 (F)	7	7	5				7	7	6		
EM/ET 212 (F)	11	11	9				11	11	9		
EM/ET 214 LP	30	30	24				30	30	24		
EM/ET 215 (F)	14	14	11				14	14	11		
EM/ET 217 (F)	15	15	12				15	15	12		
EM/ET 218 LP	20	20	16				20	20	16		
EM/ET 220 (F)	22	22	18				22	22	18		
EM/ET 221 (F) LP	30	30	24	29	23	15	30	30	25	24	23
EM/ET 223 (F)	30	30	24	29	23	15	30	30	25	24	23
EM/ET 224 LP	38	38	30				38	38	30		
EM/ET 225 (F)	7	7	5	6	5	3	7	7	6	6	4
EM/ET 227 (F)	15	15	12	14	11	7	15	15	12	12	11
EM/ET 231 (F)	22	22	18	21	18	11	22	22	18	18	17
EM/ET 236 LP	38	38	30	36	30	20	38	38	30	30	29
EM/ET 237 (F)	30	30	24	29	23	15	30	30	25	23	22
EM/ET 238 (F)	22	22	18	21	18	11	22	22	18	18	17
EM/ET 239 (F)	38	38	30				38	38	31		
EM/ET 240 (F)	38	38	30	36	30	20	38	38	31	30	30
EM/ET 241 (F)	38	38	30	36	30	20	38	38	31	30	30
EM/ET 242 (F)	38	38	30	36	30	20	38	38	31	30	30
EM/ET 247 LP	48	48	40	46	40	24	49	49	41	40	38