



This highly adaptable ABS hand-held enclosure system is available in grey or black, depending on the design. Each enclosure type provides different equipment features and accessories, so making it easy to find the ideal

enclosure for use with a wide range of mobile data collection and processing applications.

Enclosure material: ABS; display screen: clear PC.

Accessories (additional charge):

ASC1: set-up clip

Colour: Depending on model; black, similar to RAL 9005 and/or agate grey, similar to RAL 7038. Special colours on request.

UDS: universal docking station

Enclosures	Model series	Page(s)	Model	Black	Agate grey	Size in mm			Display opening	Battery compartment for	Ingress prot. DIN EN 60529
				Order no.	Order no.	L	W	H			
BOS 400	498		BOS 400*	34400000	–	100	65	24	–	9V block	IP 40
	498		BOS 400 ASC	34400500	–	100	65	24	–	9V block	
	498		BOS 401*	34401000	–	100	65	24	–	–	
	498		BOS 401 ASC	34401500	–	100	65	24	–	–	
BOS 500	500		BOS 500*	34500000	34500003	120	60	25	X	9V block	
	500		BOS 501*	34501000	34501002	120	60	25	X	9V block	
	500		BOS 502*	34502000	34502002	120	60	25	–	9V block	
	500		BOS 503*	34503000	34503001	120	60	25	–	9V block	
BOS 600	502		BOS 600	34600000	–	172	77	25	X	9V block	IP 40
	502		BOS 601	34601000	–	172	77	25	–	9V block	
	502		BOS 602	34602000	–	172	77	25	–	3 mignons	
BOS 700	504		BOS 700*	34700000	–	150	80	30	X	9V block	IP 40
	504		BOS 701*	34701000	–	150	80	30	X	9V block	
	504		BOS 704**	34704000	–	150	80	30	X	9V block	
	504		BOS 705*	34705000	–	150	80	30	X	9V block	
BOS 750	506		BOS 750*	34750000	34750001	157	84	30	X	9V block	IP 40
	506		BOS 751*	34751000	34751001	157	84	30	X	9V block	
	506		BOS 752*	34752000	34752001	157	84	30	–	9V block	
	506		BOS 753*	34753000	–	157	84	30	X	–	
	506		BOS 754*	34754000	34754001	157	84	30	X	–	
	506		BOS 755*	34755000	34755001	157	84	30	–	–	
	508		BOS 756*	34756000	–	157	84	30	X	9V block	
	508		BOS 757*	34757000	–	157	84	30	X	9V block	
	508		BOS 758*	34758000	–	157	84	30	–	–	
	508		BOS 759*	34759000	–	157	84	30	X	–	
	508		BOS 760*	34760000	–	157	84	30	X	–	
508		BOS 761*	34761000	–	157	84	30	–	–		
BOS 800	510		BOS 800*	34800000	34800001	196	100	40	X	4 mignons	IP 40
	510		BOS 801*	34801000	34801001**	196	100	40	–	4 mignons	
	510		BOS 802*	34802000	34802001**	196	100	40	–	4 mignons	
	510		BOS 803*	34803000	34803001**	196	100	40	X	–	
	510		BOS 804*	34804000	34804001	196	100	40	X	–	
	510		BOS 805*	34805000	34805001**	196	100	40	–	–	
	510		BOS 807*	34807000	34807001	196	100	40	–	4 mignons	
	510		BOS 808*	34808000	34808001	196	100	40	–	–	
BOS 900	512		BOS 900*	34900009	34900000	211	100	26**	X	–	IP 65
	512		BOS 901**	34901009	34901000	211	100	26**	X	–	
	514		BOS 902	34902009	34902000	211	100	26**	X	4 mignons	
	514		BOS 903**	34903009	34903000	224	100	26**	X	2 x 9V block	
BOS 910	518		BOS 910*	34910009	34910002	224	106	40	X	–	IP 65
	518		BOS 911	34911009	34911000	224	106	40	X	–	
	520		BOS 912	34912009	34912000	224	106	40	X	4 mignons	
	520		BOS 913**	34913009	34913000	224	106	40	X	2 x 9V block	

* Can be combined with universal docking station UDS.

** Accessory ZR 900 can be used to increase the height to 36 mm.

• Available on request.

BOS 400



UDS
only
BOS 400

BOS 400/400 ASC



UDS
only
BOS 401

BOS 401/401 ASC

BOS 400/400 ASC

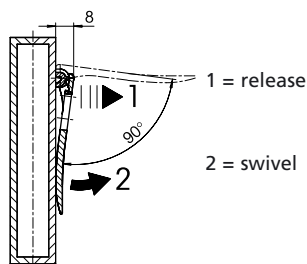
Order designation

Model	Order no. (black)	Type	Battery comp.
BOS 400	34400000		9V block / 2 micro*
BOS 400 ASC	34400500	Incl. integrated set-up clip	9V block / 2 micro*

External dim.: L 100 x W 65 x H 24 mm
Key area: L 83.1 x W 50.1 x D 1 mm
Ingress protection: IP 40

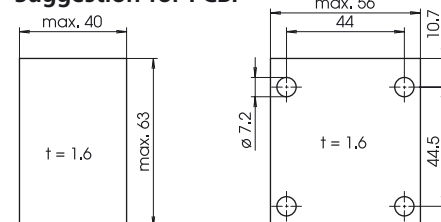
Using the integrated set-up clip:

1. As a clip for attaching units in shirt or jacket pockets.
2. As a set-up bow; release the hinged section at the bearing (1) and swivel by 90° (2).
3. For use as a wall hanging unit when in closed state.



Z-2800893

Suggestion for PCB:



Z-2800987-P

Special features: The battery compartment side is not fixed and can be removed if the battery compartment is not used. This means that boards can be inserted underneath the battery compartment lid. The PCBs (2 types) can be fixed directly to the screw connection of the enclosure.

Scope of delivery: Lid, base, battery compartment lid, battery compartment side, enclosure screws; for ASC, plus integrated clip bearing and bow.

Note: The enclosures can be supplied with plug-in front panels (min. order 500 pcs).

* As an option, 2 micro batteries can be inserted in the enclosure by using battery holder BM 2 MC (order no.: 34165572).

BOS 401/401 ASC

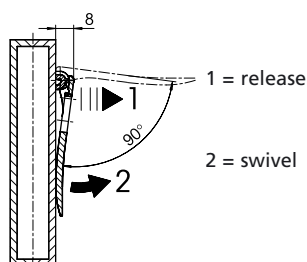
Order designation

Model	Order no. (black)	Type
BOS 401	34401000	
BOS 401 ASC	34401500	Including integrated set-up clip

External dim.: L 100 x W 65 x H 24 mm
Key area: L 83.1 x W 50.1 x D 1 mm
Ingress protection: IP 40

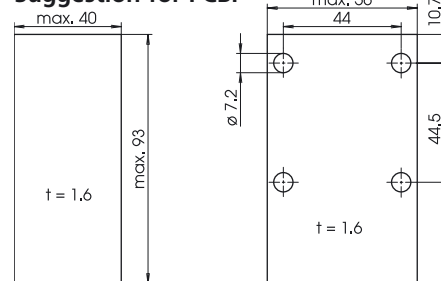
Using the integrated set-up clip:

1. As a clip for attaching units in shirt or jacket pockets.
2. As a set-up bow; release the hinged section at the bearing (1) and swivel by 90° (2).
3. For use as a wall hanging unit when in closed state.



Z-2800893

Suggestion for PCB:



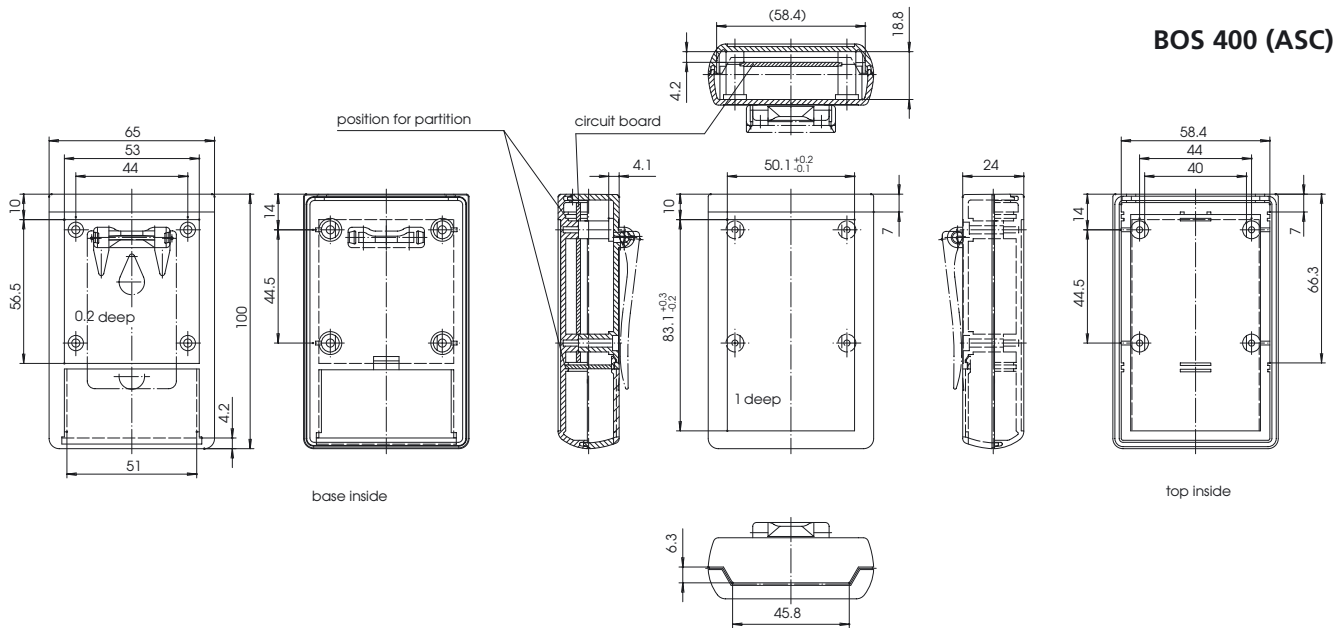
Z-2800986-P

Special features: The PCBs (2 types) can be fixed directly to the screw connection of the enclosure.

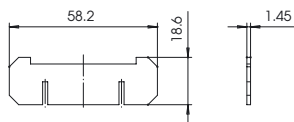
Scope of delivery: Lid, base, enclosure screws; for ASC, plus integrated clip bearing and bow.

Note: The enclosures can be supplied with plug-in front panels (min. order 500 pcs).

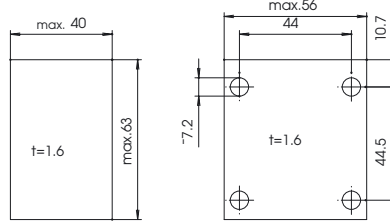
BOS 400 (ASC)



Partition
(for the design with the battery
compartment partition insertable)



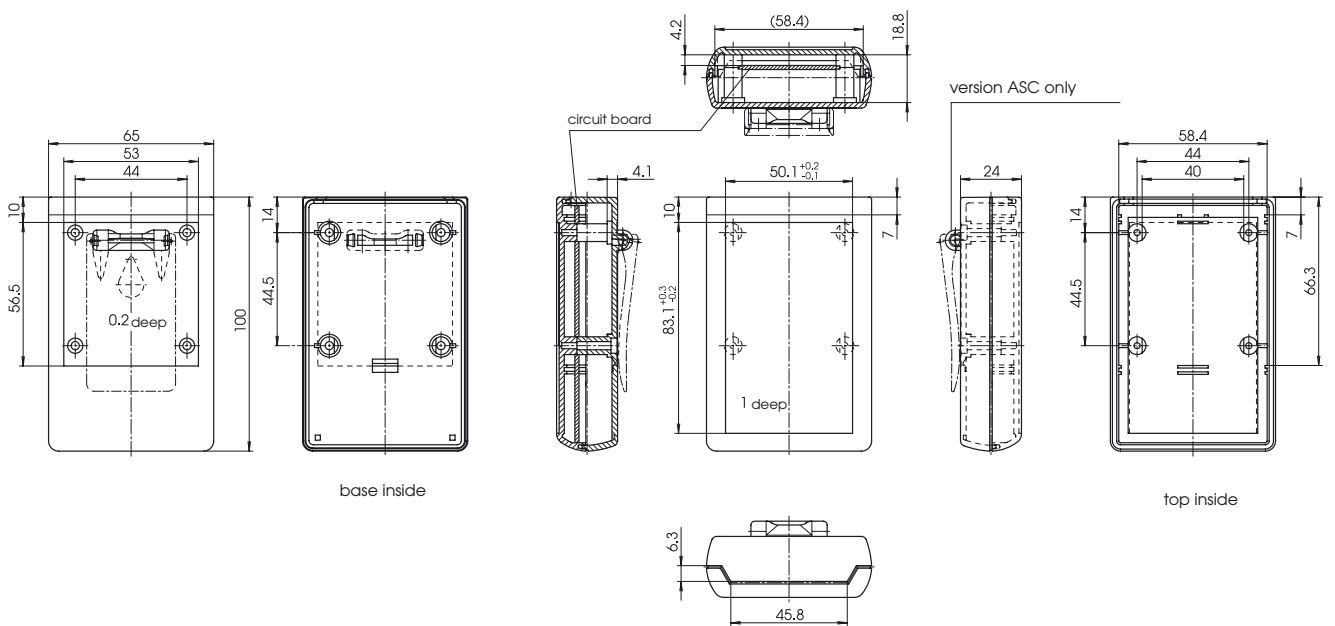
position for partition



PCBs also shown on
individual drawing acc.
to drawing no.: 3K 5120.075.0_

Z-2800987

BOS 401 (ASC)



version ASC only

BOS 500



BOS 501/500



BOS 502/503

BOS 500/501

Order designation

	Black	Agate grey		
Model	Order no.	Order no.	Type	Bat. comp.
BOS 500	34500000	34500003	Panoramic display screen	9V block
BOS 501	34501000	34501002	Display screen	9V block

External dim.: L 120 x W 60 x H 22 mm
 Key area: L 53 x W 47.6 x D 0.75 mm
 Ingress protection: IP 40

Special features: Enclosure fixing with just one screw

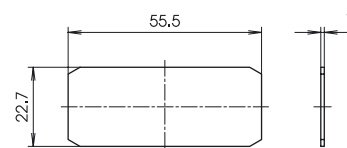
Scope of delivery:

Lid, base, plastic front panel, battery compartment lid, enclosure screw, display screen or panoramic display screen

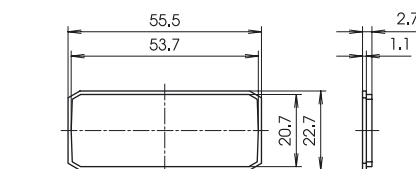
Accessories (additional charge)

Order no.	Description
34955006	Front panel infrared-permissive
34055000	Aluminium front panel

Alum. front panel (non-standard)



Plastic front panel (scope of delivery)



Z-2800284-F

BOS 502/503

Order designation

	Black	Agate grey		
Model	Order no.	Order no.	Type	Bat. comp.
BOS 502	34502000	34502002	Without display opening	9V block
BOS 503	34503000	34503001	With membrane keypad area	9V block

External dim.: L 120 x W 60 x H 25 mm
 Key area:
 BOS 502 = L 53 x W 47.6 x D 0.25 mm,
 BOS 503 = L 82.1 x W 47.6 x D 1 mm
 Ingress protection: IP 40

Special features: Enclosure fixing with just one screw

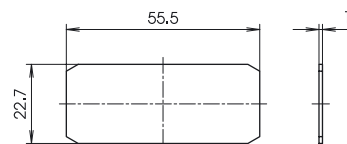
Scope of delivery:

Lid, base, plastic front panel, battery compartment lid, enclosure screw

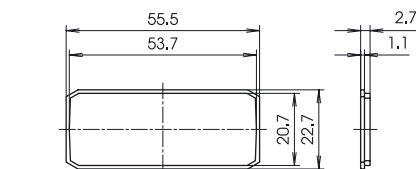
Accessories (additional charge)

Order no.	Description
34955006	Front panel, infrared-permissive
34055000	Aluminium front panel

Alum. front panel (non-standard)

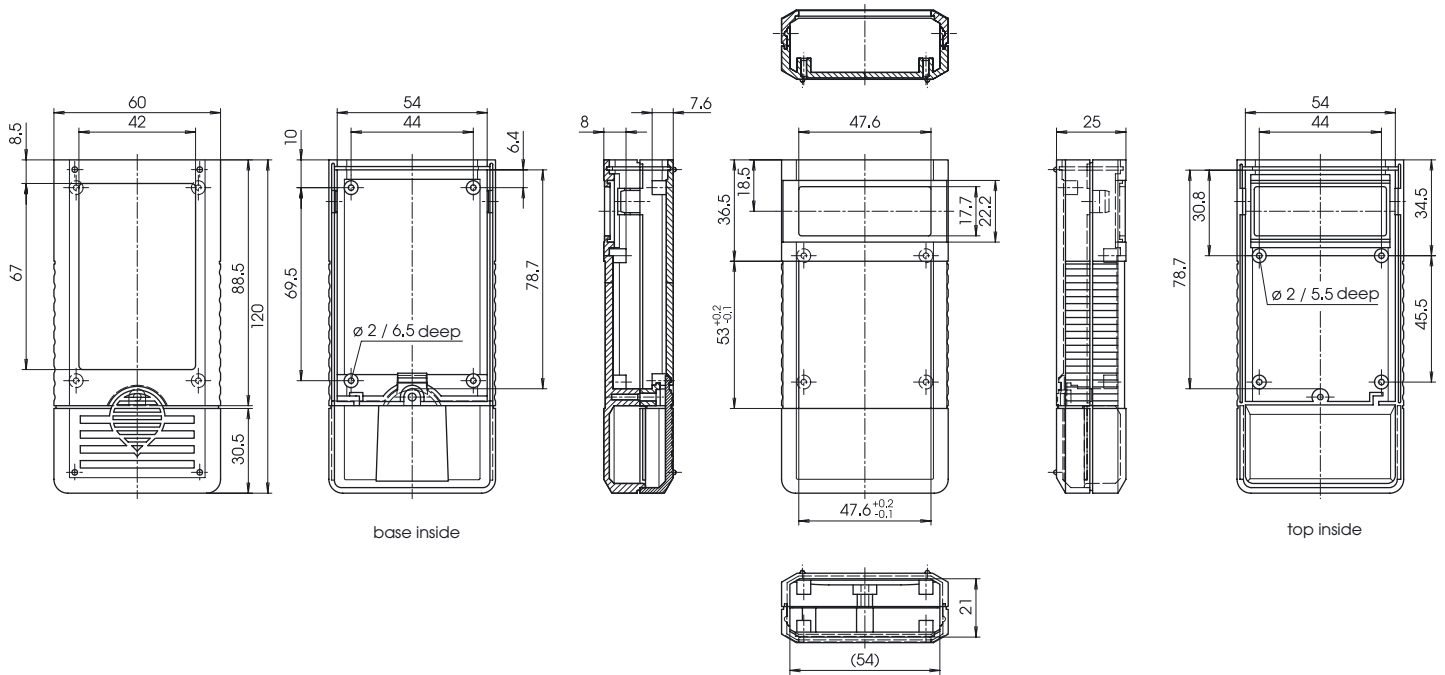


Plastic front panel (scope of delivery)



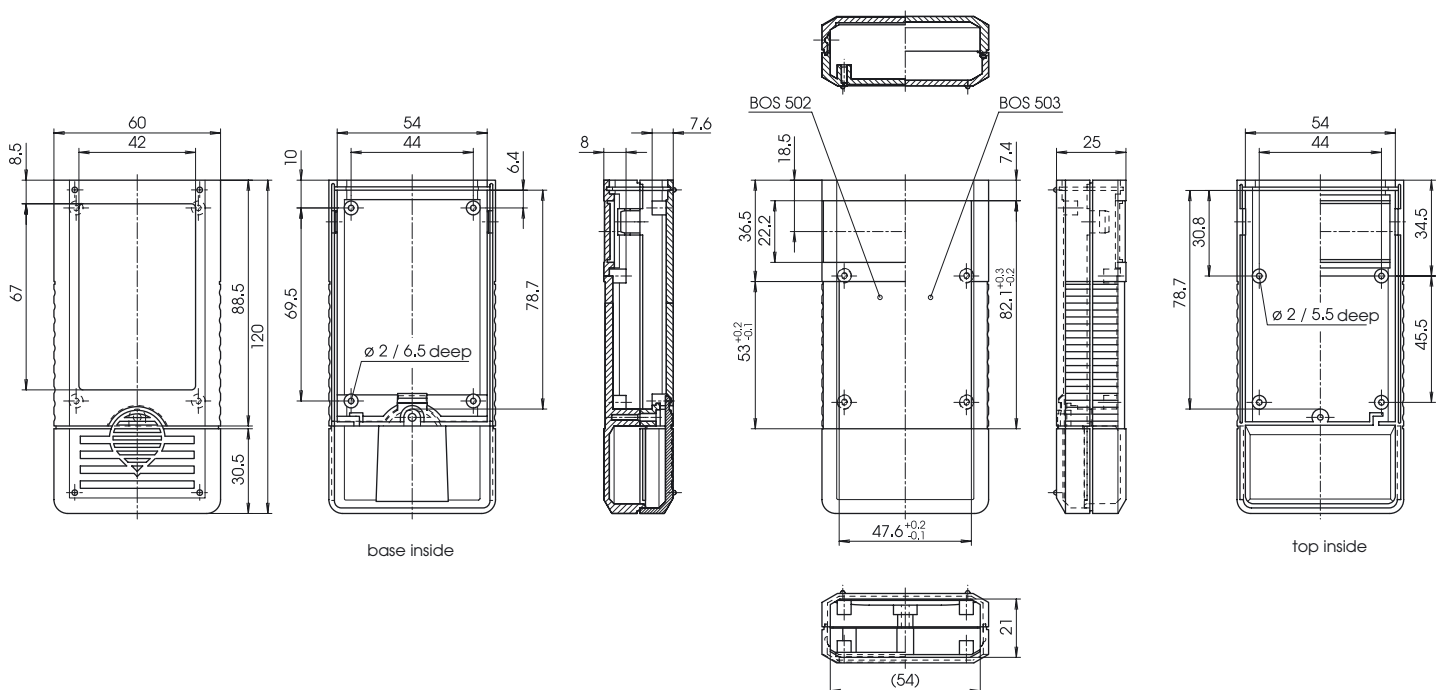
Z-2800284-F

BOS 500/501



Z-2800284

BOS 502/503



Z-2800848



BOS 750



BOS 750/751/752



BOS 753/754/755

BOS 750/751/752

Order designation

	Black	Agate grey		
Model	Order no.	Order no.	Type	Bat. comp.
BOS 750	34750000	34750001	Panoramic display screen	9V block
BOS 751	34751000	34751001	Display screen	9V block
BOS 752	34752000	34752001	With membrane keypad area	9V block

External dim.: L 157 x W 84 x H 30 mm

Key area:

BOS 750/751 = L 86.1 x W 70.1 x D 1 mm

BOS 752 = L 133.2 x W 70.1 x D 1 mm

Ingress protection: IP 40

Scope of delivery:

Lid, base, plastic front panel,

battery compartment lid, screws;

BOS 750 with panoramic display screen,

BOS 751 with display screen.

BOS 753/754/755

Order designation

	Black	Agate grey	
Model	Order no.	Order no.	Type
BOS 753	34753000	-	Panoramic display screen
BOS 754	34754000	34754001	Display screen
BOS 755	34755000	34755001	With membrane keypad area

External dim.: L 157 x W 84 x H 30 mm

Key area:

BOS 753/754 = L 86.1 x W 70.1 x D 1 mm

BOS 755 = L 133.2 x W 70.1 x D 1 mm

Ingress protection: IP 40

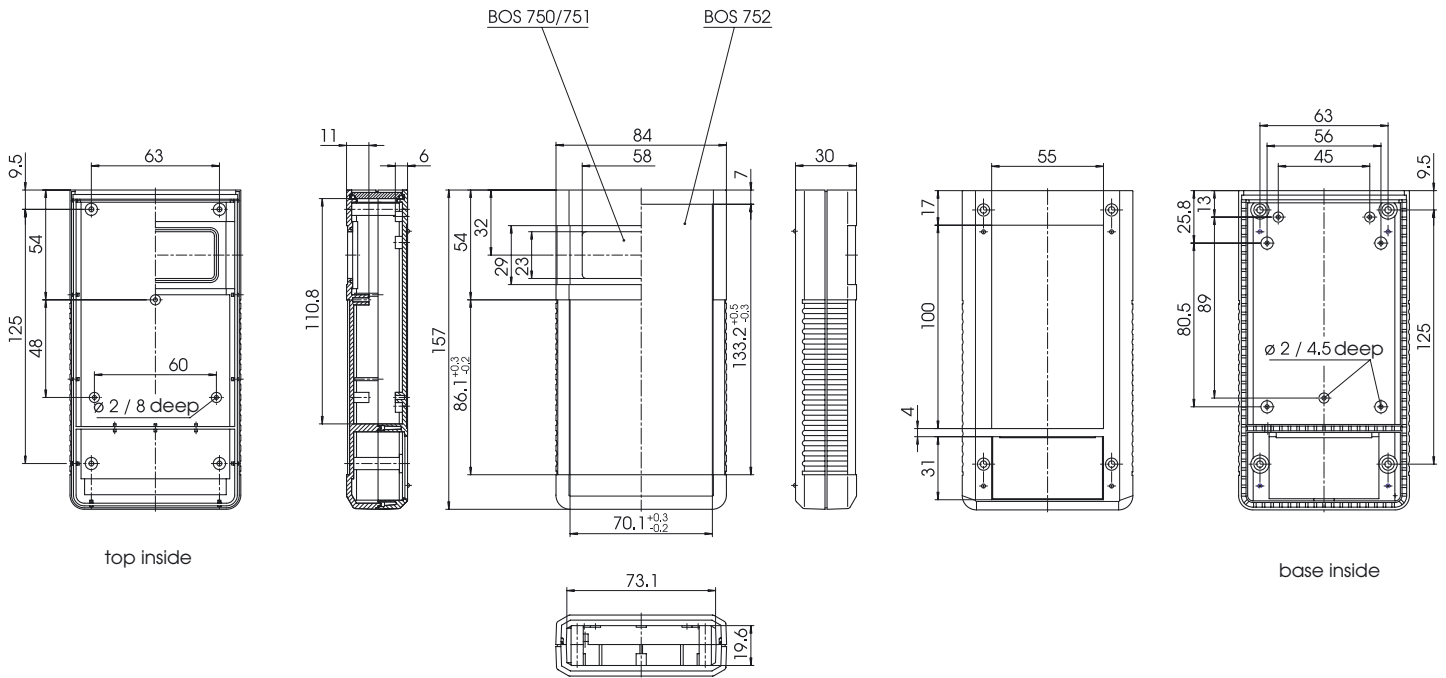
Scope of delivery:

Lid, base, plastic front panel, screws;

BOS 753 with panoramic display screen,

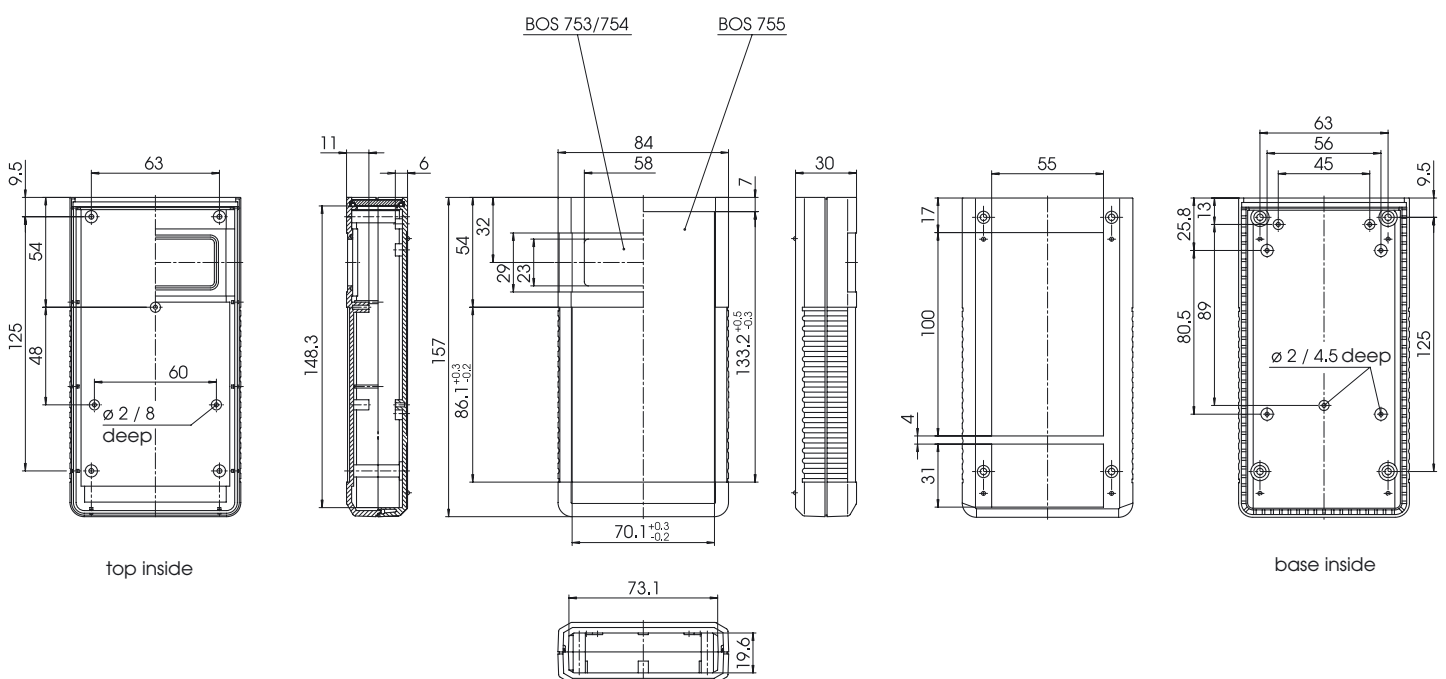
BOS 754 with display screen.

BOS 750 - 752



Z-2800813

BOS 753 - 755



Z-2800814

BOS 750



BOS 756/757/758

BOS 756/757/758

Order designation

Model	Order no. (black)	Type	Bat. comp.
BOS 756	34756000	Panoramic display screen, with slide for switch	9V block
BOS 757	34757000	Display screen, with slide for switch	9V block
BOS 758	34758000	With membrane keypad area, with slide for switch	9V block

External dim.: L 157 x W 84 x H 30 mm

Key area:

BOS 756/757 = L 86.1 x W 70.1 x D 1 mm

BOS 758 = L 133.2 x W 70.1 x D 1 mm

Ingress protection: IP 40

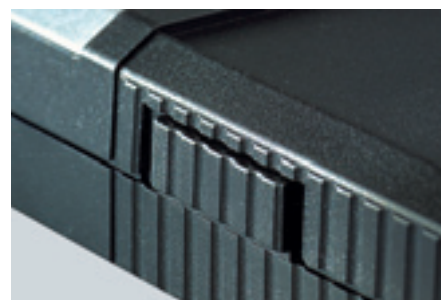
Special features:

The slide on the side can operate a flip or sliding switch.

Scope of delivery:

Lid, base, plastic front panel, battery compartment lid, screws; BOS 756 with panoramic display screen, BOS 757 with display screen.

Slide for switch:



Operation of a PCB-mounted flip or sliding switch by means of slide fitted on the side.



BOS 759/760/761

BOS 759/760/761

Order designation

Model	Order no. (black)	Type
BOS 759	34759000	Panoramic display screen, with slide for switch
BOS 760	34760000	Display screen, with slide for switch
BOS 761	34761000	With membrane keypad area, with slide for switch

External dim.: L 157 x W 84 x H 30 mm

Key area:

BOS 759/760 = L 86.1 x W 70.1 x D 1 mm

BOS 761 = L 133.2 x W 70.1 x D 1 mm

Ingress protection: IP 40

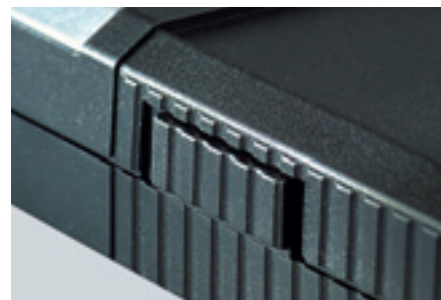
Special features:

The slide on the side can operate a flip or sliding switch.

Scope of delivery:

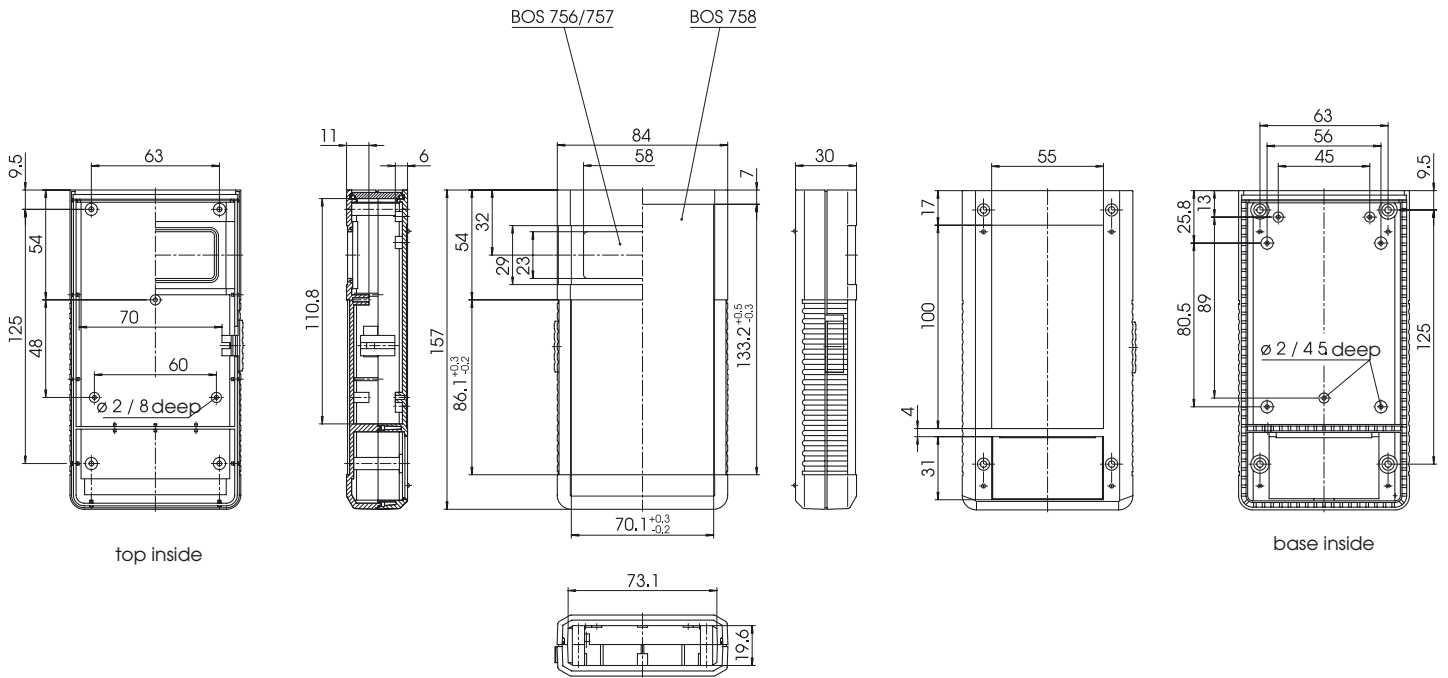
Lid, base, plastic front panel, battery compartment lid, screws; BOS 759 with panoramic display screen, BOS 760 with display screen.

Slide for switch:



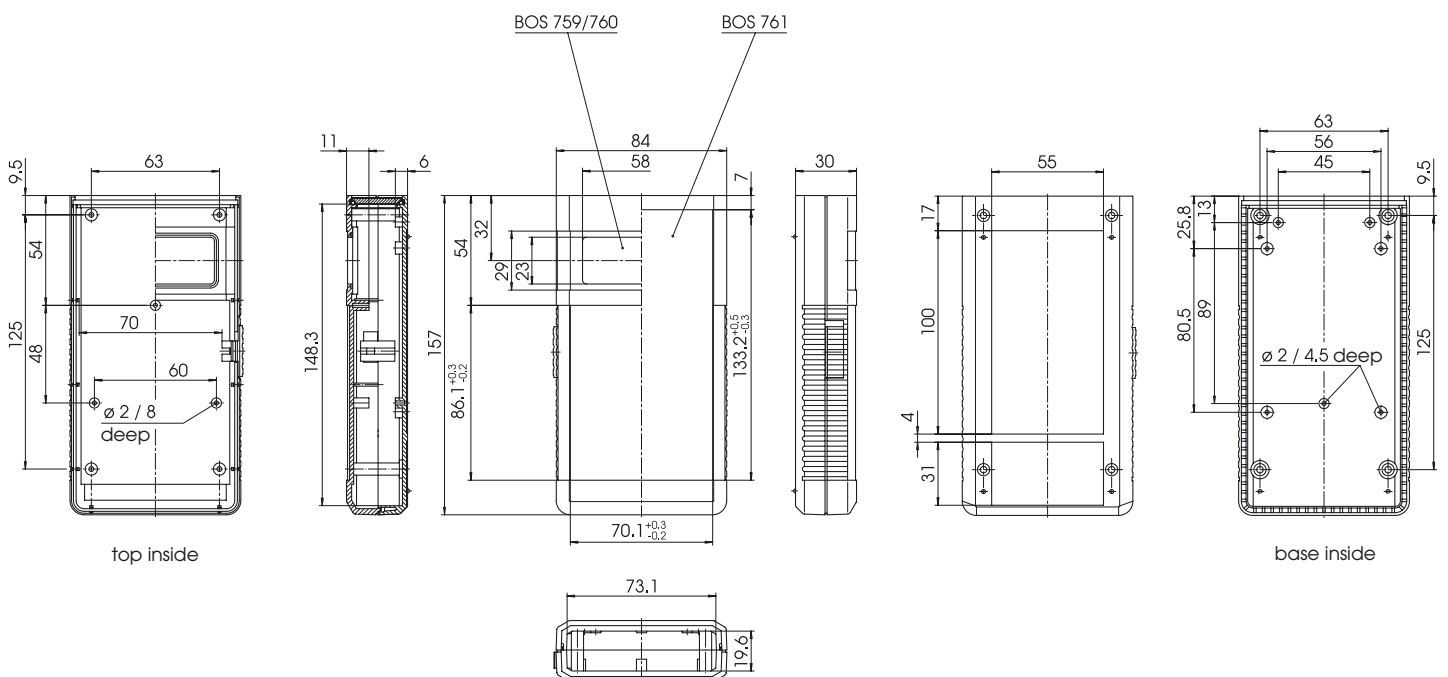
Operation of a PCB-mounted flip or sliding switch by means of slide fitted on the side.

BOS 756 - 758



Z-2800815

BOS 759 - 761



Z-2800816