

BOTEGO



BOTEGO, BOPLA's enclosure system, sets new standards in enclosure technology. Thanks to its design, the enclosure, consisting of two plastic half-shells, can be inserted either horizontally or vertically.

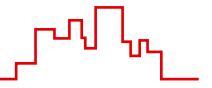
Extension sets permit optimal adaptation to the relevant space requirements. The ergonomically shaped operating front permits user-friendly operation of the equipment.

In order to achieve natural convection everywhere in the enclosure, the system was developed in such a way that sections with air vents can be mounted directly over each other or also staggered.

The snap-lock technology, which considerably reduces the amount of mounting time and work needed, is a new technological development.

With BOTEGO, every user can create his or her own individual design. Different design elements and caps in 6 different colours can modify the basic neutral enclosure to create an individual touch. All the elements which vary the design are available ex works.

For enclosure surface designs, BOPLA offers both standard decor foils and customer-specific foils – shape, colour or embossing can be selected individually.



Enclosure material: ABS; for technical data see pages 646-650.
Colour: Light grey, similar to RAL 7035; special colours on request.
Ingress protection: Closed: IP 40/DIN EN 60529; with air vents: IP 30/DIN EN 60529.
Scope of delivery: 2 half-shells.
The caps for the enclosure must be ordered separately.

Accessories (additional charge):

BO FP...: Front panel aluminium Al Mg 3, anodized, 2 mm; Front panel available in plastic on request.
BO AB: Extension set, ABS light grey, similar to RAL 7035; additional colours for minimum orders of 500 extension sets (see product pages).
BO SF: Angled operating front
BO PT: Set of profiles for screw-on part front panel
BO PB: Filling profile set for mounting rack installation
BO HS: Handle
BO WB: Wall fixing (see set of caps 4)
BOTEGO cable strain-relief set: Cable strain-relief set
BOTEGO set of screws: Set of screws for additional screwing of enclosure lid and base as well as of extension sets.

Design accessories:

Set of design elements for individual design of the front section (set = 2 pieces); 4 different designs in 6 colours.
Design foil for the foil surface of the half-shells (2 designs) on request.
Customer-specific design elements and colours available on request.

Notes:

The caps (not included in the scope of delivery) are available for 4 different applications. 6 colours are available in each case.
See product pages.

In the case of the enclosure height (or width for vertical use), by using extension sets in combination with the basic enclosure you can achieve any height with an extension pitch of 15.24 mm.

Bosses for self-tapping screws are provided in the enclosure shells. The boss diameters correspond to – among others – Eurocard formats. Inside the enclosures are additional slots for PCB cards, mounting plates, etc..

Ventilation:

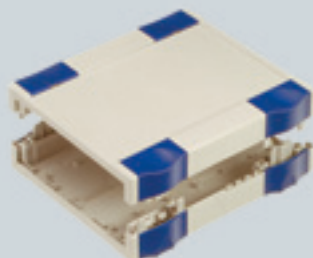
In the BOTEGO series, optimal ventilation can be achieved by turning the half-shells according to the individual requirements.
Half-shell air vents are mounted directly over each other and allow optimal ventilation of parts which are especially heat-intensive.
If the half-shell air vents are staggered simply by turning one of the half-shells, the entire interior of the enclosure is ventilated diagonally.
If the enclosures are stacked on top of each other, this ensures that the warm air expelled from one enclosure does not directly enter the unit above.

19" technology:

Any 19" mounting rack can be fitted in the enclosure with a minimum of additional effort.



BOTEGO



BOTEGO 320..



BOTEGO 320.. (L)

The BOTEGO enclosure BO 320.. offers 3 different enclosure basic heights. On request, these are also available with injection-moulded air vents in the half-shells (models BO 320..L).

The appropriate enclosure height can be expanded in combination with extension set AB 02009 (L) in accordance with the selection table on the right.

The enclosure set is closed, and also available with ventilation (L). Details of the front panels to be used for the different enclosure heights are also given in the table.

BOTEGO BO 320.. (L)

Enclosures

| Model | Order no. | W | H | D |
|------------|-----------|-----|-------|-------|
| BO 32006 | 68320060 | 174 | 49.96 | 196.9 |
| BO 32006 L | 68320061 | 174 | 49.96 | 196.9 |
| BO 32009 | 68320090 | 174 | 65.20 | 196.9 |
| BO 32009 L | 68320091 | 174 | 65.20 | 196.9 |
| BO 32012 | 68320120 | 174 | 80.44 | 196.9 |
| BO 32012 L | 68320121 | 174 | 80.44 | 196.9 |

L = with injection-moulded air vents in both half-shells

Scope of delivery:

2 half-shells

Note:

The caps (not included in the scope of delivery), which allow individual enclosure design.

Please also order the front panels separately.

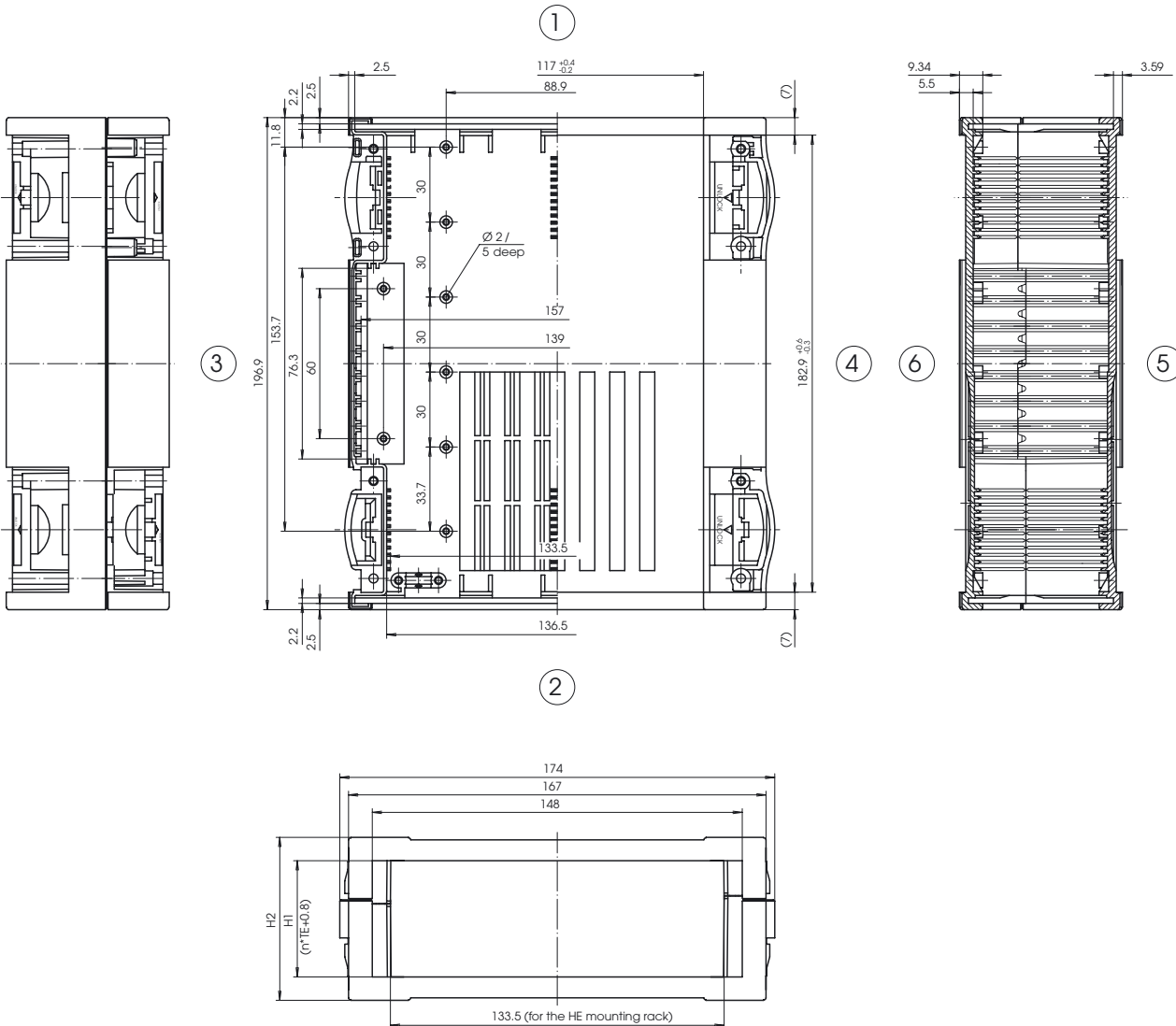
Additional accessories:

Optical elements for the special design of your BOTEGO enclosure are shown in the "BOTEGO accessories" section

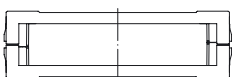
Table of enclosures, extension set AB 02009 (L) and front panel

| Enclosures | Internal encl. height clearance (H1) | | Number of AB 02009 (L) | Front panels to be used |
|--------------|--------------------------------------|----|------------------------|-------------------------|
| | | TE | | |
| BO 32006 (L) | 31.28 | 6 | – | BO FP 30006 |
| BO 32009 (L) | 46.52 | 9 | – | BO FP 30009 |
| BO 32012 (L) | 61.76 | 12 | – | BO FP 30012 |
| BO 32006 (L) | 77.00 | 15 | 1 | BO FP 30015 |
| BO 32009 (L) | 92.24 | 18 | 1 | BO FP 30018 |
| BO 32012 (L) | 107.48 | 21 | 1 | BO FP 30021 |
| BO 32006 (L) | 122.72 | 24 | 2 | BO FP 30024 |
| BO 32009 (L) | 137.96 | 27 | 2 | BO FP 30027 |
| BO 32012 (L) | 153.20 | 30 | 2 | BO FP 30030 |
| BO 32006 (L) | 168.44 | 33 | 3 | BO FP 30033 |
| BO 32009 (L) | 183.68 | 36 | 3 | BO FP 30036 |
| BO 32012 (L) | 198.92 | 39 | 3 | BO FP 30039 |
| BO 32006 (L) | 214.16 | 42 | 4 | BO FP 30042 |
| BO 32009 (L) | 229.40 | 45 | 4 | BO FP 30045 |
| BO 32012 (L) | 244.64 | 48 | 4 | BO FP 30048 |

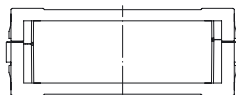
BO 320.. (L)



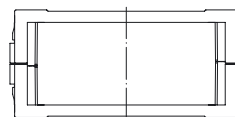
| Model | H1 | H2 | n |
|--------------|-------|-------|----|
| BO 32006 (L) | 31.28 | 49.96 | 6 |
| BO 32009 (L) | 46.52 | 65.20 | 9 |
| BO 32012 (L) | 61.76 | 80.44 | 12 |



BO 32006 / BO 32006 L
(half shell low/low)



BO 32009 / BO 32009 L
(half shell low/high)



BO 32012 / BO 32012 L
(half shell high/high)



Welcome to BOPLA City!

BOTEGO



Extension set AB 02009 (L)
This extension set can be used to expand the BOTEGO enclosures between the half-shells by n x 9 TE. The extension set is closed, and is also available with ventilation (L).



Front panels
Aluminium front panels for insertion in enclosure half-shells. On request, we can also supply these processed or printed.

Extension set AB 02009 (L) for BOTEGO BO 320.. (L)

Order designation

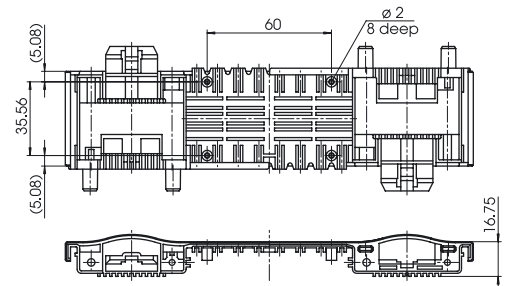
| Model | Order no. | Design | Colour |
|--------------------|-----------|------------|--------------------------------|
| BO AB 02009-7035 | 68200910 | | ● Light grey, sim. to RAL 7035 |
| BO AB 02009 L-7035 | 68200911 | with vent. | ● Light grey, sim. to RAL 7035 |

Order designation for different colours (for orders of 500+)

| Model | Order no. | Design | Colour |
|---------------------|-----------|------------|-----------------------------------|
| BO AB 02009-6027 | 68200920 | | ● Light green, sim. to RAL 6027 |
| BO AB 02009-7024 | 68200930 | | ● Graphite grey, sim. to RAL 7024 |
| BO AB 02009-5014 | 68200940 | | ● Dove blue, sim. to RAL 5014 |
| BO AB 02009-5002 | 68200950 | | ● Ultramarine, sim. to RAL 5002 |
| BO AB 02009-I0788 | 68200960 | | ● Green translucent |
| BO AB 02009 L-6027 | 68200921 | with vent. | ● Light green, sim. to RAL 6027 |
| BO AB 02009 L-7024 | 68200931 | with vent. | ● Graphite grey, sim. to RAL 7024 |
| BO AB 02009 L-5014 | 68200941 | with vent. | ● Dove blue, sim. to RAL 5014 |
| BO AB 02009 L-5002 | 68200951 | with vent. | ● Ultramarine, sim. to RAL 5002 |
| BO AB 02009 L-I0788 | 68200961 | with vent. | ● Green translucent |

Scope of delivery:

2 extension parts



Z-2802028

Front panels, aluminium, anodized, 2 mm thick

Order designation

| Model | Order no. | TE | H | W |
|-------------|-----------|----|--------|--------|
| BO FP 30006 | 68711306 | 6 | 42.48 | 161.00 |
| BO FP 30009 | 68711309 | 9 | 57.72 | 161.00 |
| BO FP 30012 | 68711312 | 12 | 72.96 | 161.00 |
| BO FP 30015 | 68711315 | 15 | 88.20 | 161.00 |
| BO FP 30018 | 68711318 | 18 | 103.44 | 161.00 |
| BO FP 30021 | 68711321 | 21 | 118.68 | 161.00 |
| BO FP 30024 | 68711324 | 24 | 133.92 | 161.00 |
| BO FP 30027 | 68711327 | 27 | 149.16 | 161.00 |
| BO FP 30030 | 68711330 | 30 | 164.40 | 161.00 |
| BO FP 30033 | 68711333 | 33 | 179.64 | 161.00 |
| BO FP 30036 | 68711336 | 36 | 194.88 | 161.00 |
| BO FP 30039 | 68711339 | 39 | 210.12 | 161.00 |
| BO FP 30042 | 68711342 | 42 | 225.36 | 161.00 |
| BO FP 30045 | 68711345 | 45 | 240.60 | 161.00 |
| BO FP 30048 | 68711348 | 48 | 255.84 | 161.00 |

Note:

The front panels to be used depend on the extension sets used.

Front panel available in plastic on request!

Angled operating front

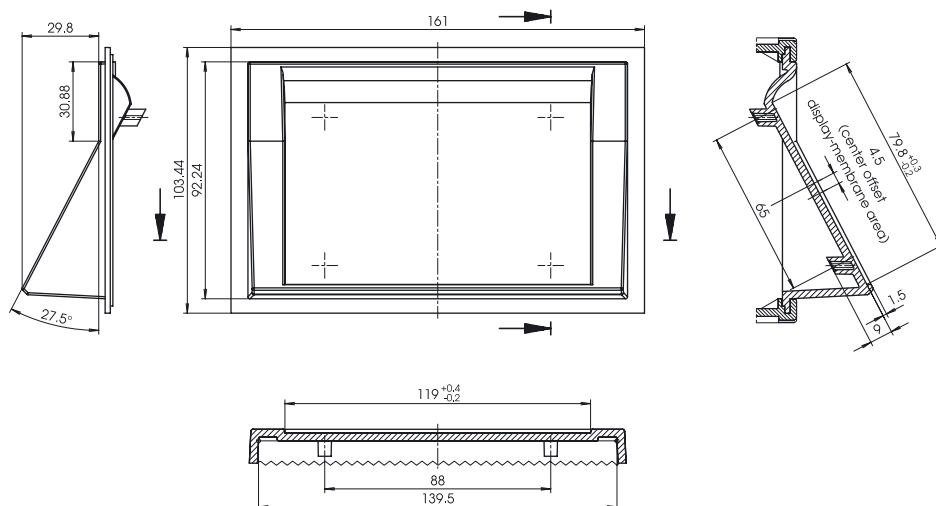
Order designation

| Model | Order no. | TE | H | W |
|----------------|-----------|----|--------|-----|
| BO SF-3 001800 | 68018003 | 18 | 103.44 | 161 |

Scope of delivery:
1 operating front

Note:

If additional processing takes place, the operating front, in combination with an aluminium front panel and additional extension sets, can also be used with different enclosure heights. We will be pleased to carry out the necessary processing work for you.



BO SF-3 001800

The operating front can be used in combination with enclosure BO 32009 (L) and extension set BO AB 02009 (L).

The dimensions of the membrane keypad area which is 1.5 mm deeper are 119 x 79.8 mm.

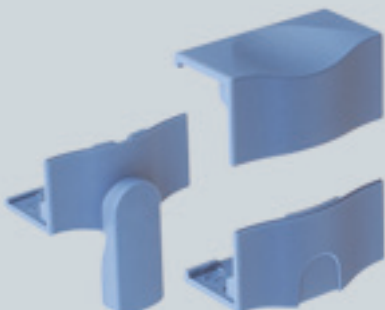
BOTEGO



Cap set 1 is designed for use with desktop enclosures.



Cap set 2 allows stacking of the enclosures and ensures good air circulation for air vent versions by increasing the distance between the enclosures.



Cap set 3 is suitable for stand-alone desktop enclosures. The collapsible feet can be used to tilt the enclosure. This permits better operation or better visibility of the front.

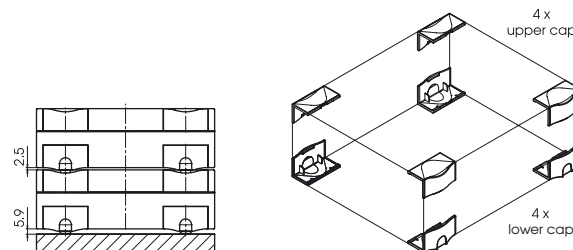
Cap set 1

Order designation

| Model | Order no. | Colour |
|---------------|-----------|--------------------------------------|
| BO-KS 1-7035 | 68011000 | ● Light grey, similar to RAL 7035 |
| BO-KS 1-6027 | 68012000 | ● Light green, similar to RAL 6027 |
| BO-KS 1-7024 | 68013000 | ● Graphite grey, similar to RAL 7024 |
| BO-KS 1-5014 | 68014000 | ● Dove blue, similar to RAL 5014 |
| BO-KS 1-5002 | 68015000 | ● Ultramarine, similar to RAL 5002 |
| BO-KS 1-I0788 | 68016000 | ● Green translucent |

Scope of delivery:

4 upper caps,
4 lower caps,
4 rubber feet



Z-2802054

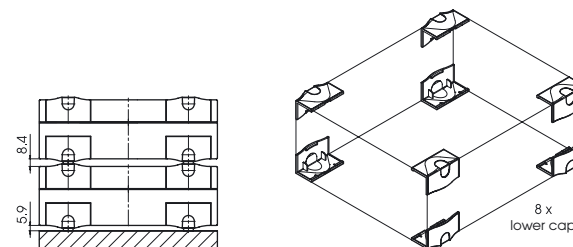
Cap set 2

Order designation

| Model | Order no. | Colour |
|---------------|-----------|--------------------------------------|
| BO-KS 2-7035 | 68021000 | ● Light grey, similar to RAL 7035 |
| BO-KS 2-6027 | 68022000 | ● Light green, similar to RAL 6027 |
| BO-KS 2-7024 | 68023000 | ● Graphite grey, similar to RAL 7024 |
| BO-KS 2-5014 | 68024000 | ● Dove blue, similar to RAL 5014 |
| BO-KS 2-5002 | 68025000 | ● Ultramarine, similar to RAL 5002 |
| BO-KS 2-I0788 | 68026000 | ● Green translucent |

Scope of delivery:

8 lower caps,
4 rubber feet



Z-2802055

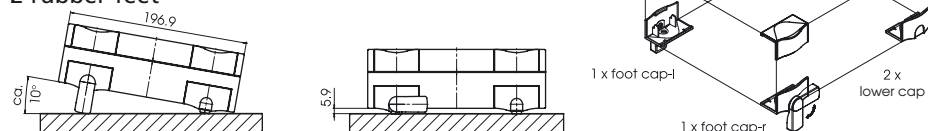
Cap set 3

Order designation

| Model | Order no. | Colour |
|---------------|-----------|--------------------------------------|
| BO-KS 3-7035 | 68031000 | ● Light grey, similar to RAL 7035 |
| BO-KS 3-6027 | 68032000 | ● Light green, similar to RAL 6027 |
| BO-KS 3-7024 | 68033000 | ● Graphite grey, similar to RAL 7024 |
| BO-KS 3-5014 | 68034000 | ● Dove blue, similar to RAL 5014 |
| BO-KS 3-5002 | 68035000 | ● Ultramarine, similar to RAL 5002 |
| BO-KS 3-I0788 | 68036000 | ● Green translucent |

Scope of delivery:

4 upper caps, 2 lower caps,
2 foot caps with collapsible feet,
2 rubber feet



Z-2802056

Cap set 4

Order designation

| Model | Order no. | Colour |
|---------------|-----------|--------------------------------------|
| BO-KS 4-7035 | 68041000 | ● Light grey, similar to RAL 7035 |
| BO-KS 4-6027 | 68042000 | ● Light green, similar to RAL 6027 |
| BO-KS 4-7024 | 68043000 | ● Graphite grey, similar to RAL 7024 |
| BO-KS 4-5014 | 68044000 | ● Dove blue, similar to RAL 5014 |
| BO-KS 4-5002 | 68045000 | ● Ultramarine, similar to RAL 5002 |
| BO-KS 4-I0788 | 68046000 | ● Green translucent |

Scope of delivery:

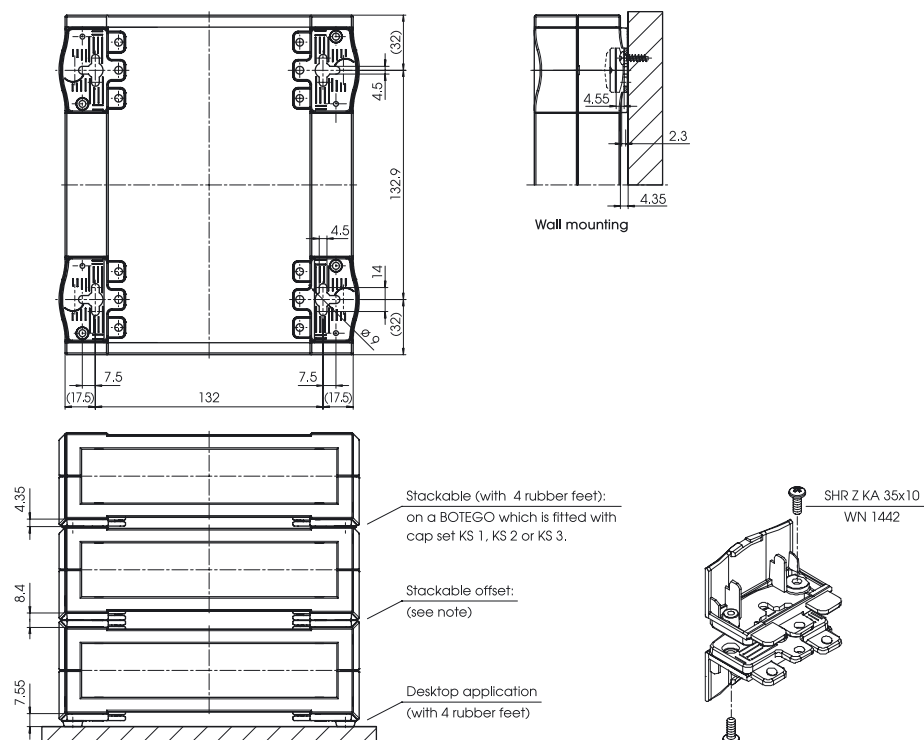
4 upper caps,
4 wall-fixing caps,
4 rubber feet

Note:

The enclosures can be firmly connect-
ed to each other:

- by screwing (screws not included in the scope of delivery)
- by ultrasonic welding together of the wall-fixing caps (carried out in the factory) and snapping on to both enclosures.

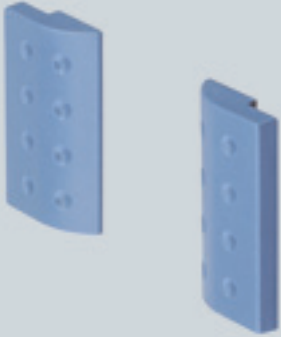
For this application, there is no need for the upper caps (included in the scope of delivery) and the rubber feet.



Cap set 4 is used to fit the BOTEKO enclosure to the wall. Further examples of use, such as stackability or cascading, can be found in the information texts in the illustration.



BOTEGO accessories



Design element set 1

By using design element set 1 you can create an individual design for the front or rear section of your BOTEGO enclosure. 6 different colours give your enclosure that special, individual touch.

This design element can be used for all BOTEGO enclosures with a height of 9 TE.

Matching front panels are shown on the relevant enclosure pages. We will be happy to carry out for you the processing of the front panel which is necessary for the mounting of the design element.

Design element set 1

Order designation

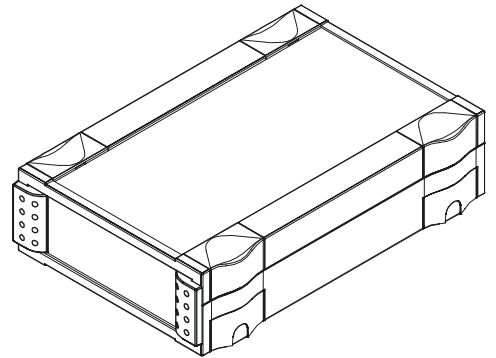
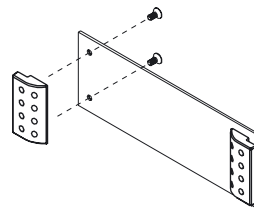
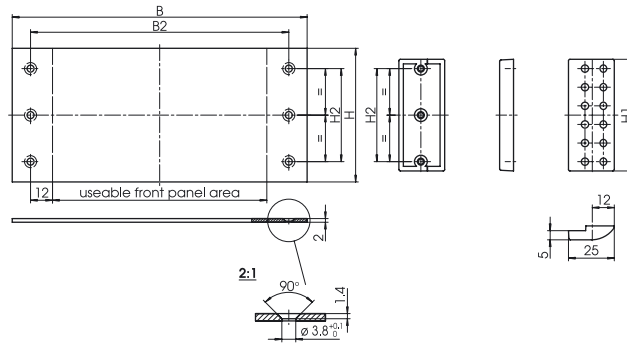
| Model | Order no. | Colour | Suitable for front panel |
|------------------|-----------|-----------------------------------|--------------------------|
| BO D1-9 TE-7035 | 68110910 | ● Light grey, sim. to RAL 7035 | BO FP...09 |
| BO D1-9 TE-6027 | 68110920 | ● Light green, sim. to RAL 6027 | BO FP...09 |
| BO D1-9 TE-7024 | 68110930 | ● Graphite grey, sim. to RAL 7024 | BO FP...09 |
| BO D1-9 TE-5014 | 68110940 | ● Dove blue, sim. to RAL 5014 | BO FP...09 |
| BO D1-9 TE-5002 | 68110950 | ● Ultramarine, sim. to RAL 5002 | BO FP...09 |
| BO D1-9 TE-10788 | 68110960 | ● Green translucent | BO FP...09 |

| Model | H | H1 | H2 | n | Front panels | B | B2 |
|-----------|-------|-------|-------|---|--------------|--------|--------|
| BO D1-9TE | 57.72 | 45.72 | 35.56 | 2 | BO FP 300.. | 161.00 | 141.00 |
| | | | | | BO FP 500.. | 227.65 | 207.65 |
| | | | | | BO FP 600.. | 294.35 | 274.35 |

n = number of screwing domes

Scope of delivery:

2 design elements,
Fixing material



Note

Other heights
available on request!

Design element set 2

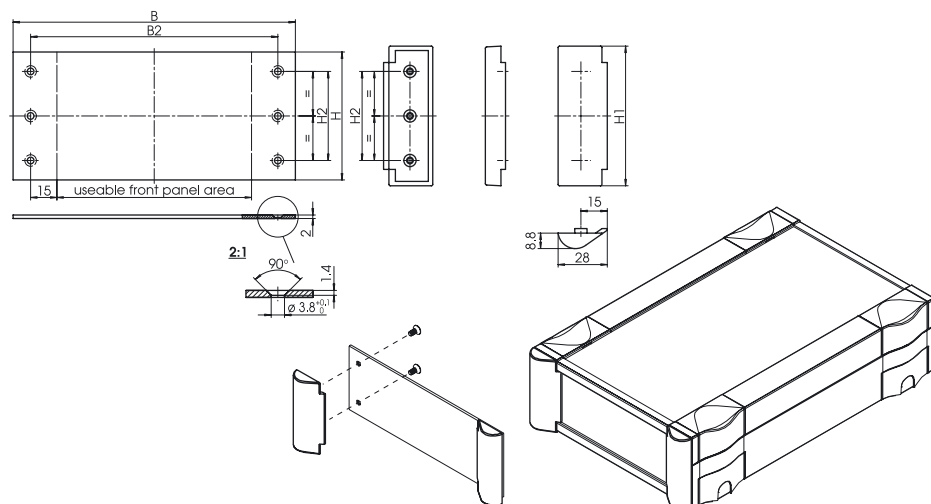
| Order designation | | | Suitable for |
|-------------------|-----------|-----------------------------------|--------------|
| Model | Order no. | Colour | front panel |
| BO D2-6 TE-7035 | 68120610 | ● Light grey, sim. to RAL 7035 | BO FP...06 |
| BO D2-6 TE-6027 | 68120620 | ● Light green, sim. to RAL 6027 | BO FP...06 |
| BO D2-6 TE-7024 | 68120630 | ● Graphite grey, sim. to RAL 7024 | BO FP...06 |
| BO D2-6 TE-5014 | 68120640 | ● Dove blue, sim. to RAL 5014 | BO FP...06 |
| BO D2-6 TE-5002 | 68120650 | ● Ultramarine, sim. to RAL 5002 | BO FP...06 |
| BO D2-6 TE-I0788 | 68120660 | ● Green translucent | BO FP...06 |
| BO D2-9 TE-7035 | 68120910 | ● Light grey, sim. to RAL 7035 | BO FP...09 |
| BO D2-9 TE-6027 | 68120920 | ● Light green, sim. to RAL 6027 | BO FP...09 |
| BO D2-9 TE-7024 | 68120930 | ● Graphite grey, sim. to RAL 7024 | BO FP...09 |
| BO D2-9 TE-5014 | 68120940 | ● Dove blue, sim. to RAL 5014 | BO FP...09 |
| BO D2-9 TE-5002 | 68120950 | ● Ultramarine, sim. to RAL 5002 | BO FP...09 |
| BO D2-9 TE-I0788 | 68120960 | ● Green translucent | BO FP...09 |
| BO D2-12 TE-7035 | 68121210 | ● Light grey, sim. to RAL 7035 | BO FP...12 |
| BO D2-12 TE-6027 | 68121220 | ● Light green, sim. to RAL 6027 | BO FP...12 |
| BO D2-12 TE-7024 | 68121230 | ● Graphite grey, sim. to RAL 7024 | BO FP...12 |
| BO D2-12 TE-5014 | 68121240 | ● Dove blue, sim. to RAL 5014 | BO FP...12 |
| BO D2-12 TE-5002 | 68121250 | ● Ultramarine, sim. to RAL 5002 | BO FP...12 |
| BO D2-12 TE-I0788 | 68121260 | ● Green translucent | BO FP...12 |
| BO D2-15 TE-7035 | 68121510 | ● Light grey, sim. to RAL 7035 | BO FP...15 |
| BO D2-15 TE-6027 | 68121520 | ● Light green, sim. to RAL 6027 | BO FP...15 |
| BO D2-15 TE-7024 | 68121530 | ● Graphite grey, sim. to RAL 7024 | BO FP...15 |
| BO D2-15 TE-5014 | 68121540 | ● Dove blue, sim. to RAL 5014 | BO FP...15 |
| BO D2-15 TE-5002 | 68121550 | ● Ultramarine, sim. to RAL 5002 | BO FP...15 |
| BO D2-15 TE-I0788 | 68121560 | ● Green translucent | BO FP...15 |
| BO D2-18 TE-7035 | 68121810 | ● Light grey, sim. to RAL 7035 | BO FP...18 |
| BO D2-18 TE-6027 | 68121820 | ● Light green, sim. to RAL 6027 | BO FP...18 |
| BO D2-18 TE-7024 | 68121830 | ● Graphite grey, sim. to RAL 7024 | BO FP...18 |
| BO D2-18 TE-5014 | 68121840 | ● Dove blue, sim. to RAL 5014 | BO FP...18 |
| BO D2-18 TE-5002 | 68121850 | ● Ultramarine, sim. to RAL 5002 | BO FP...18 |
| BO D2-18 TE-I0788 | 68121860 | ● Green translucent | BO FP...18 |

| Model | H | H1 | H2 | n |
|------------|--------|--------|-------|---|
| BO D2-6TE | 42.48 | 49.16 | 0 | 1 |
| BO D2-9TE | 57.72 | 64.40 | 35.56 | 2 |
| BO D2-12TE | 72.96 | 79.64 | 50.80 | 2 |
| BO D2-15TE | 88.20 | 94.88 | 66.04 | 2 |
| BO D2-18TE | 103.44 | 110.12 | 81.28 | 2 |

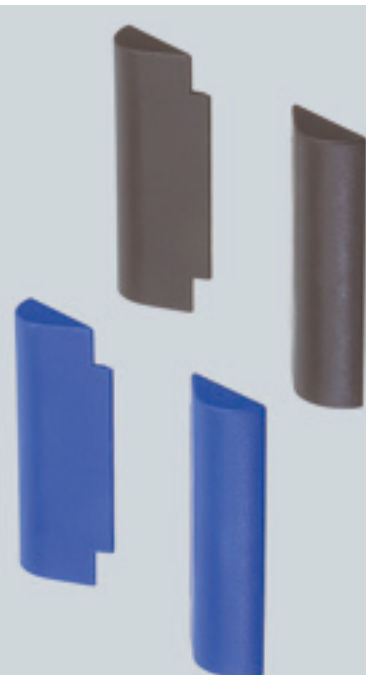
n = number of screwing domes
with n = 1, the dome is in the centre

| Front panels | B | B2 |
|--------------|--------|--------|
| BO FP 300.. | 161.00 | 141.00 |
| BO FP 500.. | 227.65 | 207.65 |
| BO FP 600.. | 294.35 | 274.35 |

Scope of delivery:
2 design elements,
fixing material



Z-2802025



Design element set 2

By using design element set 2 you can create an individual design for the front or rear section of your BOTEGO enclosure. 6 different colours give your enclosure that special, individual touch. This design element is available in heights 6, 9, 12, 15 and 18 TE.

Matching front panels are shown on the relevant enclosure pages. We will be happy to carry out for you the processing of the front panel which is necessary for the mounting of the design element.

If the unit is used as a mobile enclosure, this design element can be used as a supporting foot for vertical use of the enclosure. The construction elements (switches, push-buttons, etc.) with a maximum height of 10 mm are not touched or activated when the unit is put down.

Note

Other heights
available on request!

BOTEGO accessories

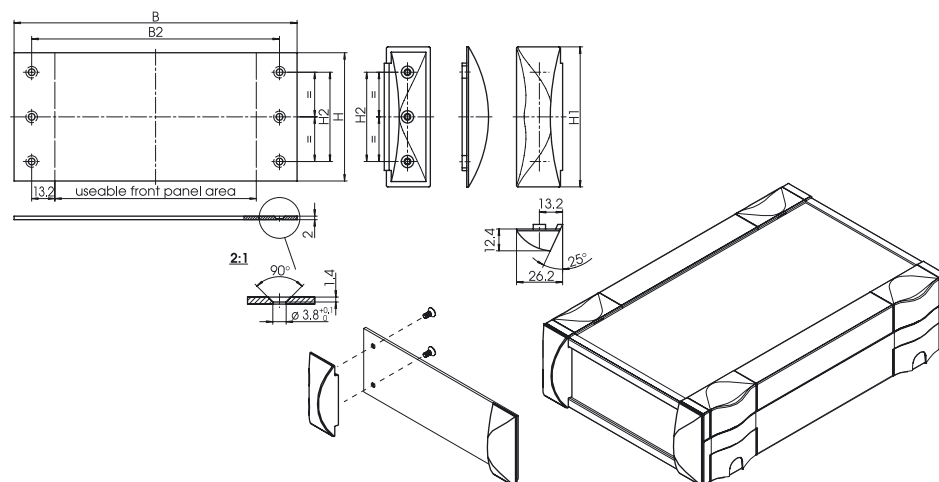
Design element set 3

| Order designation | | | Suitable for |
|-------------------|-----------|-----------------------------------|--------------|
| Model | Order no. | Colour | front panel |
| BO D3-6 TE-7035 | 68130610 | ● Light grey, sim. to RAL 7035 | BO FP...06 |
| BO D3-6 TE-6027 | 68130620 | ● Light green, sim. to RAL 6027 | BO FP...06 |
| BO D3-6 TE-7024 | 68130630 | ● Graphite grey, sim. to RAL 7024 | BO FP...06 |
| BO D3-6 TE-5014 | 68130640 | ● Dove blue, sim. to RAL 5014 | BO FP...06 |
| BO D3-6 TE-5002 | 68130650 | ● Ultramarine, sim. to RAL 5002 | BO FP...06 |
| BO D3-6 TE-I0788 | 68130660 | ● Green translucent | BO FP...06 |
| BO D3-9 TE-7035 | 68130910 | ● Light grey, sim. to RAL 7035 | BO FP...09 |
| BO D3-9 TE-6027 | 68130920 | ● Light green, sim. to RAL 6027 | BO FP...09 |
| BO D3-9 TE-7024 | 68130930 | ● Graphite grey, sim. to RAL 7024 | BO FP...09 |
| BO D3-9 TE-5014 | 68130940 | ● Dove blue, sim. to RAL 5014 | BO FP...09 |
| BO D3-9 TE-5002 | 68130950 | ● Ultramarine, sim. to RAL 5002 | BO FP...09 |
| BO D3-9 TE-I0788 | 68130960 | ● Green translucent | BO FP...09 |
| BO D3-12 TE-7035 | 68131210 | ● Light grey, sim. to RAL 7035 | BO FP...12 |
| BO D3-12 TE-6027 | 68131220 | ● Light green, sim. to RAL 6027 | BO FP...12 |
| BO D3-12 TE-7024 | 68131230 | ● Graphite grey, sim. to RAL 7024 | BO FP...12 |
| BO D3-12 TE-5014 | 68131240 | ● Dove blue, sim. to RAL 5014 | BO FP...12 |
| BO D3-12 TE-5002 | 68131250 | ● Ultramarine, sim. to RAL 5002 | BO FP...12 |
| BO D3-12 TE-I0788 | 68131260 | ● Green translucent | BO FP...12 |
| BO D3-15 TE-7035 | 68131510 | ● Light grey, sim. to RAL 7035 | BO FP...15 |
| BO D3-15 TE-6027 | 68131520 | ● Light green, sim. to RAL 6027 | BO FP...15 |
| BO D3-15 TE-7024 | 68131530 | ● Graphite grey, sim. to RAL 7024 | BO FP...15 |
| BO D3-15 TE-5014 | 68131540 | ● Dove blue, sim. to RAL 5014 | BO FP...15 |
| BO D3-15 TE-5002 | 68131550 | ● Ultramarine, sim. to RAL 5002 | BO FP...15 |
| BO D3-15 TE-I0788 | 68131560 | ● Green translucent | BO FP...15 |
| BO D3-18 TE-7035 | 68131810 | ● Light grey, sim. to RAL 7035 | BO FP...18 |
| BO D3-18 TE-6027 | 68131820 | ● Light green, sim. to RAL 6027 | BO FP...18 |
| BO D3-18 TE-7024 | 68131830 | ● Graphite grey, sim. to RAL 7024 | BO FP...18 |
| BO D3-18 TE-5014 | 68131840 | ● Dove blue, sim. to RAL 5014 | BO FP...18 |
| BO D3-18 TE-5002 | 68131850 | ● Ultramarine, sim. to RAL 5002 | BO FP...18 |
| BO D3-18 TE-I0788 | 68131860 | ● Green translucent | BO FP...18 |

| Model | H | H1 | H2 | n | Front panels | B | B2 |
|------------|--------|--------|--------|---|--------------|--------|--------|
| BO D3-6TE | 42.48 | 49.16 | 0.00 | 1 | BO FP 300.. | 161.00 | 141.00 |
| BO D3-9TE | 57.72 | 64.40 | 35.56 | 2 | BO FP 500.. | 227.65 | 207.65 |
| BO D3-12TE | 72.96 | 79.64 | 50.80 | 2 | BO FP 600.. | 294.35 | 274.35 |
| BO D3-15TE | 88.20 | 94.88 | 66.04 | 2 | | | |
| BO D3-18TE | 103.44 | 110.12 | 81.28 | 2 | | | |
| BO D3-27TE | 149.16 | 155.84 | 111.76 | 3 | | | |

Scope of delivery:
2 design elements,
fixing material

n = number of screwing domes
with n = 1, the dome is in the centre



Z-2802026



Design element set 3

By using design element set 3 you can create an individual design for the front or rear section of your BOTEGO enclosure. 6 different colours give your enclosure that special, individual touch.

This design element is available in heights 6, 9, 12, 15 and 18 TE.

Matching front panels are shown on the relevant enclosure pages. We will be happy to carry out for you the processing of the front panel which is necessary for the mounting of the design element.

Note

Design element set 3 is also available in 27 TE in all 6 colours. For orders of 500+.

Other heights available on request!

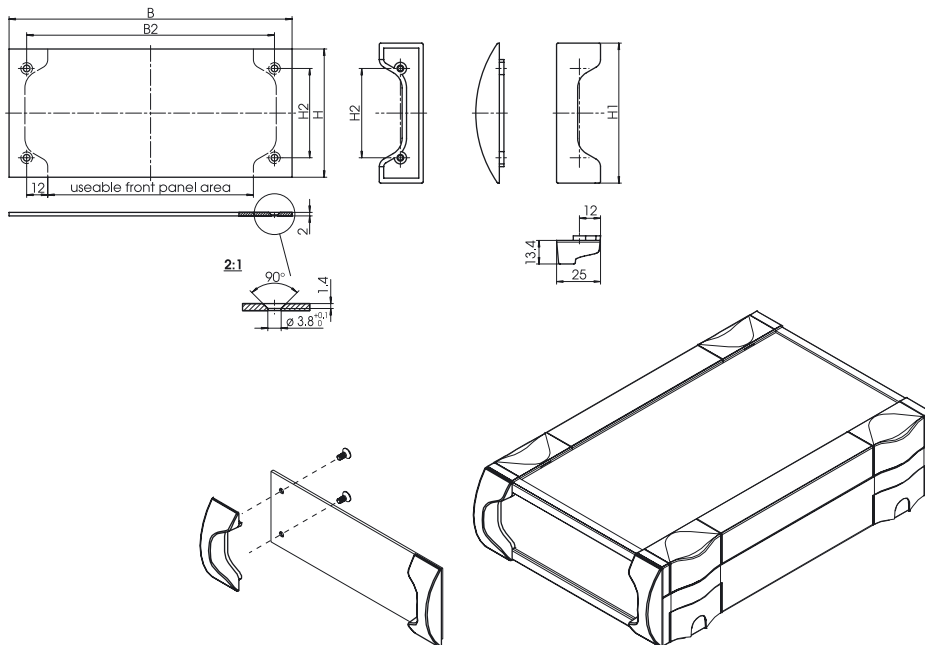
Design element set 4

| Order designation | | | Suitable for |
|-------------------|-----------|-----------------------------------|--------------|
| Model | Order no. | Colour | front panel |
| BO D4-9 TE-7035 | 68140910 | ● Light grey, sim. to RAL 7035 | BO FP...09 |
| BO D4-9 TE-6027 | 68140920 | ● Light green, sim. to RAL 6027 | BO FP...09 |
| BO D4-9 TE-7024 | 68140930 | ● Graphite grey, sim. to RAL 7024 | BO FP...09 |
| BO D4-9 TE-5014 | 68140940 | ● Dove blue, sim. to RAL 5014 | BO FP...09 |
| BO D4-9 TE-5002 | 68140950 | ● Ultramarine, sim. to RAL 5002 | BO FP...09 |
| BO D4-9 TE-I0788 | 68140960 | ● Green translucent | BO FP...09 |

| Model | H | H1 | H2 | n | Front panels | B | B2 |
|-----------|-------|-------|-------|---|--------------|--------|--------|
| BO D4-9TE | 57.72 | 64.40 | 35.56 | 2 | BO FP 300.. | 161.00 | 141.00 |
| | | | | | BO FP 500.. | 227.65 | 207.65 |
| | | | | | BO FP 600.. | 294.35 | 274.35 |

n = number of screwing domes

Scope of delivery:
2 design elements,
fixing material



Design element set 4

By using design element set 4 you can create an individual design for the front or rear section of your BOTEKO enclosure. 6 different colours give your enclosure that special, individual touch. This design element can be used for all BOTEKO enclosures with a height of 9 TE.

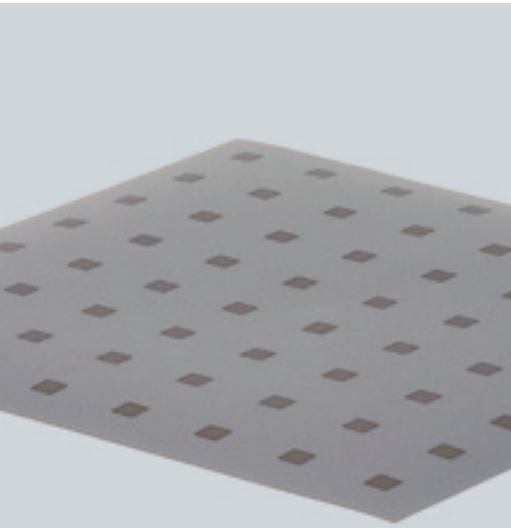
Matching front panels are shown on the relevant enclosure pages. We will be happy to carry out for you the processing of the front panel which is necessary for the mounting of the design element.

Note

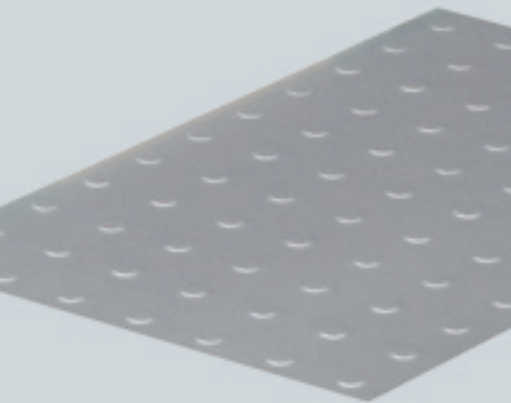
Other heights
available on request!



BOTEGO accessories



Design foil 1



Design foil 2

When used in combination with the other design elements, the standard range of design foils gives your enclosure surface that individual appearance.

In addition to our standard design foils, we will be happy to manufacture foils and membrane keypads which meet your specific requirements. Different shades, embossing and shapes offer you almost unlimited design opportunities.

Design foil 1

Order designation

| Model | Order no. | W | D | Suitable for enclosure |
|----------------|-----------|-------|-------|------------------------|
| BO FF1-32000 * | 70681320 | 116.7 | 182.6 | BO 320.. |
| BO FF1-51400 * | 70681514 | 183.4 | 122.6 | BO 514.. |
| BO FF1-52000 * | 70681520 | 183.4 | 182.6 | BO 520.. |
| BO FF1-62600 * | 70681626 | 250.0 | 242.6 | BO 626.. |

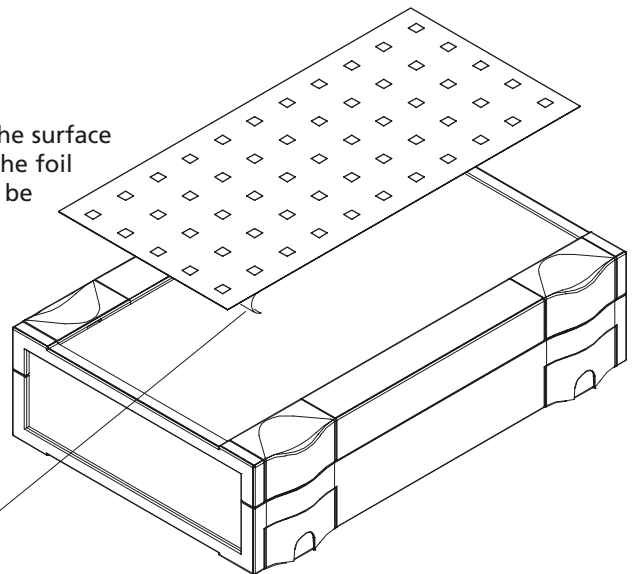
Scope of delivery:

1 design foil

Note:

To ensure good adhesion, the surface on the enclosure to which the foil is to be applied should first be degreased.

* = available on request



Z-2802068

Design foil 2

Order designation

| Model | Order no. | W | D | Suitable for enclosure |
|---------------|-----------|-------|-------|------------------------|
| BO FF2-32000* | 70682320 | 116.7 | 182.6 | BO 320.. |
| BO FF2-51400* | 70682514 | 183.4 | 122.6 | BO 514.. |
| BO FF2-52000* | 70682520 | 183.4 | 182.6 | BO 520.. |
| BO FF2-62600* | 70682626 | 250.0 | 242.6 | BO 626.. |

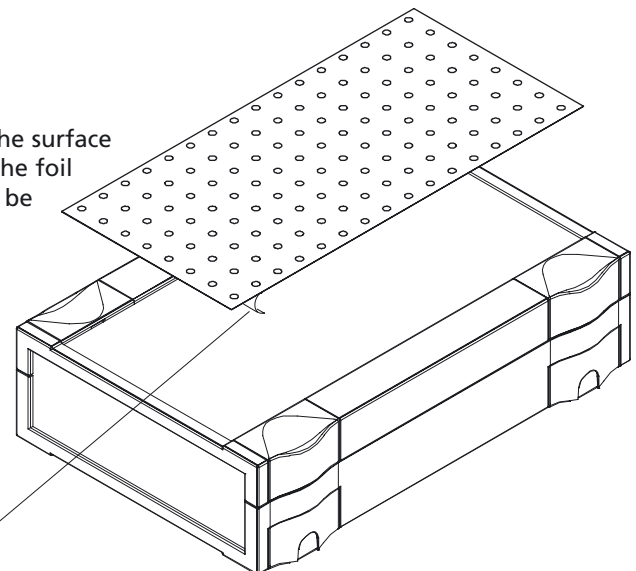
Scope of delivery:

1 design foil

Note:

To ensure good adhesion, the surface on the enclosure to which the foil is to be applied should first be degreased.

* = available on request



Z-2802068

Filling profile set for mounting racks

Order designation

| Model | Order no. | TE* | a |
|-----------|-----------|-----|--------|
| BO PB1-21 | 68731210 | 21 | 128.16 |
| BO PB1-42 | 68731420 | 42 | 234.84 |

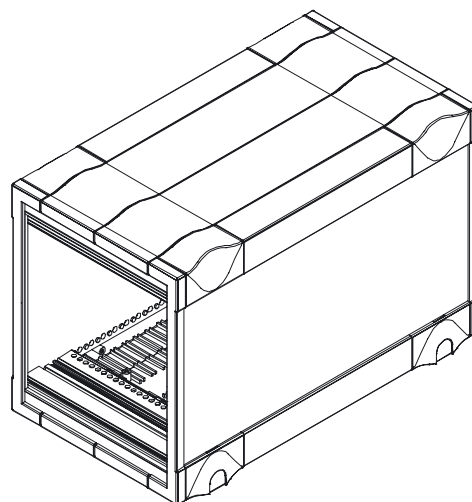
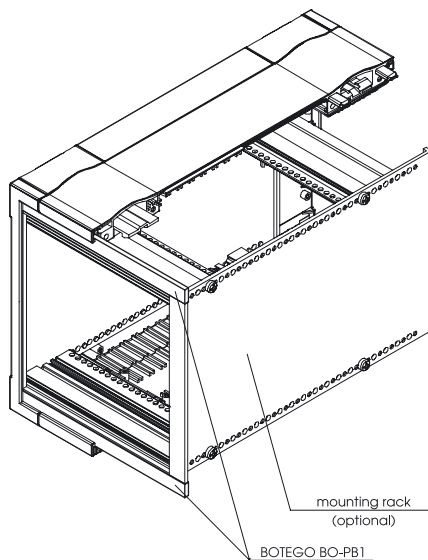
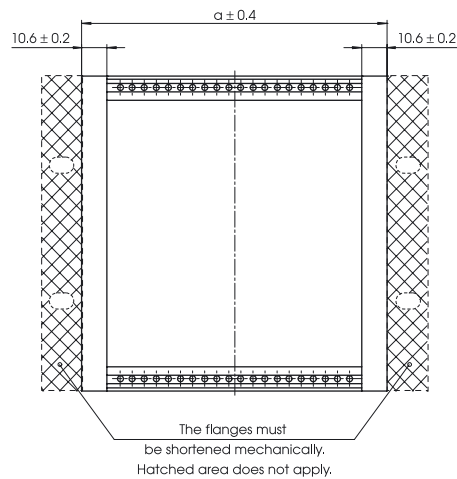
Scope of delivery:

1 set = 2 pieces

* The TE figure refers to the useful width of the mounting rack. The enclosure height must be selected 3 TEs larger.

Example:

Mounting rack installation width 21 TE, enclosure acc. to selection table on page 54 or 70 corresponds to TE = 24.

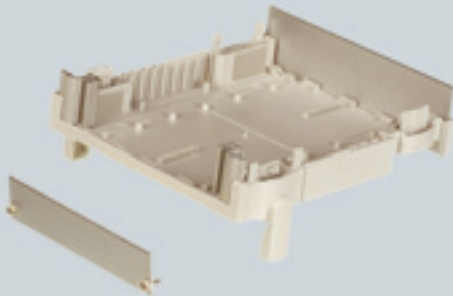


Filling profile set for mounting racks
By shortening the flanges, any mounting rack can be inserted into the BOTEGO enclosures. The empty areas above and under the mounting rack which are created by this process are closed by means of the filling profile set.



Welcome to BOPLA City!

BOTEGO accessories



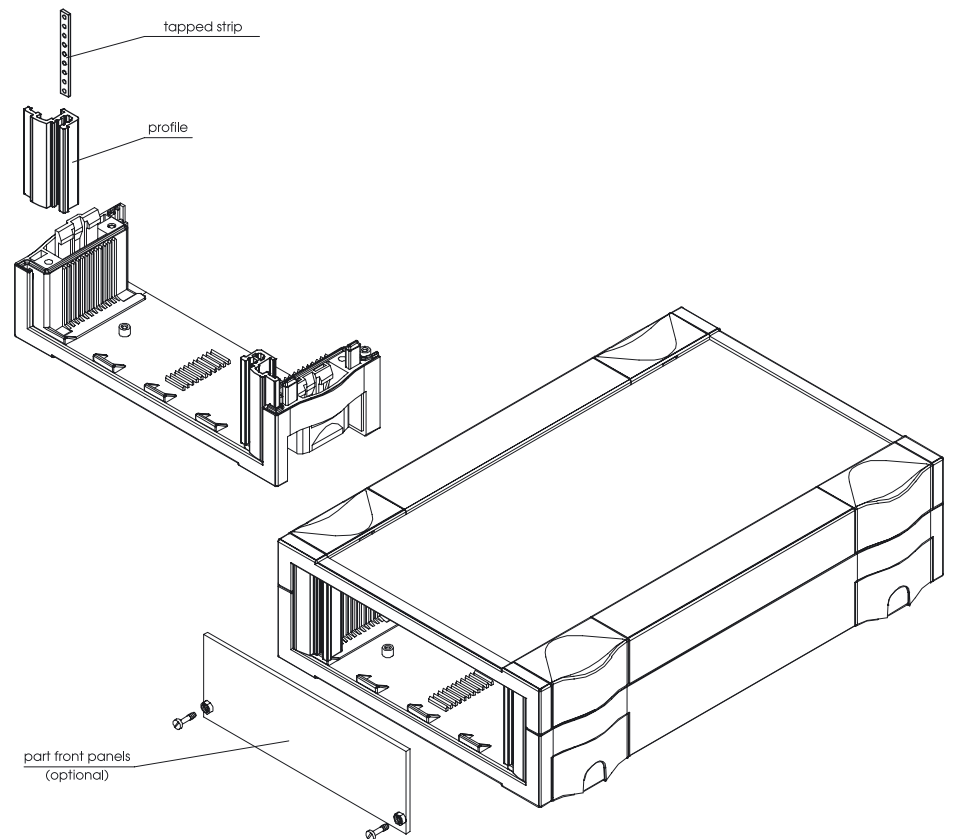
Profile set TF

Order designation

| Model | Order no. | TE |
|-----------|-----------|----|
| BO PT1-06 | 68721060 | 6 |
| BO PT1-09 | 68721090 | 9 |
| BO PT1-12 | 68721120 | 12 |
| BO PT1-15 | 68721150 | 15 |
| BO PT1-18 | 68721180 | 18 |
| BO PT1-21 | 68721210 | 21 |
| BO PT1-24 | 68721240 | 24 |
| BO PT1-27 | 68721270 | 27 |
| BO PT1-30 | 68721300 | 30 |
| BO PT1-33 | 68721330 | 33 |
| BO PT1-36 | 68721360 | 36 |
| BO PT1-39 | 68721390 | 39 |
| BO PT1-42 | 68721420 | 42 |
| BO PT1-45 | 68721450 | 45 |
| BO PT1-48 | 68721480 | 48 |

Scope of delivery:

2 profiles, 2 tapped strips



Profile set TF

By simply inserting profiles and tapped strips between the half-shells/extension sets, a screwable front panel can be fitted to the enclosure.

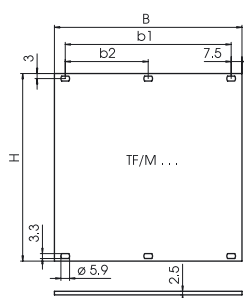
Part front panels

Order designation

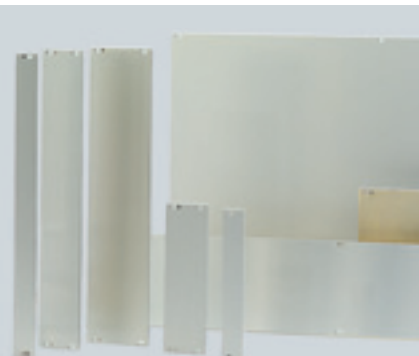
| Model | Order no. | HE | Height | TE | W | b1 | b2 |
|------------|-----------|-----|--------|----|-------|-------|-------|
| TF/M 306 | 86806033 | 3 | 128.4 | 6 | 30.1 | - | - |
| TF/M 309 | 86809033 | 3 | 128.4 | 9 | 45.4 | - | - |
| TF/M 312 | 86812033 | 3 | 128.4 | 12 | 60.6 | 45.7 | - |
| TF/M 315 | 86815033 | 3 | 128.4 | 15 | 75.8 | 61.0 | - |
| TF/M 318 | 86818033 | 3 | 128.4 | 18 | 91.0 | 76.2 | - |
| TF/M 321 | 86821033 | 3 | 128.4 | 21 | 106.3 | 91.4 | - |
| TF/M 324 | 86824033 | 3 | 128.4 | 24 | 121.5 | 106.7 | - |
| TF/M 327 | 86827033 | 3 | 128.4 | 27 | 136.8 | 121.9 | - |
| TF/M 330 | 86830033 | 3 | 128.4 | 30 | 152.0 | 137.2 | - |
| TF/M 333 | 86833033 | 3 | 128.4 | 33 | 167.2 | 152.4 | - |
| TF/M 336 | 86836033 | 3 | 128.4 | 36 | 182.5 | 167.6 | - |
| TF/M 339 | 86839033 | 3 | 128.4 | 39 | 197.7 | 182.9 | - |
| TF/M 342 | 86842033 | 3 | 128.4 | 42 | 213.0 | 198.1 | 96.5 |
| TF/M 345 | 86845033 | 3 | 128.4 | 45 | 228.2 | 213.4 | 106.7 |
| TF/M 348 | 86848033 | 3 | 128.4 | 48 | 243.4 | 228.6 | 111.8 |
| TF/M 4.506 | 86806453 | 4.5 | 195.1 | 6 | 30.1 | - | - |
| TF/M 4.509 | 86809453 | 4.5 | 195.1 | 9 | 45.3 | - | - |
| TF/M 4.512 | 86812453 | 4.5 | 195.1 | 12 | 60.6 | 45.7 | - |
| TF/M 4.515 | 86815453 | 4.5 | 195.1 | 15 | 75.8 | 61.0 | - |
| TF/M 4.518 | 86818453 | 4.5 | 195.1 | 18 | 91.0 | 76.2 | - |
| TF/M 4.521 | 86821453 | 4.5 | 195.1 | 21 | 106.3 | 91.4 | - |
| TF/M 4.524 | 86824453 | 4.5 | 195.1 | 24 | 121.5 | 106.7 | - |
| TF/M 4.527 | 86827453 | 4.5 | 195.1 | 27 | 136.8 | 121.9 | - |
| TF/M 4.530 | 86830453 | 4.5 | 195.1 | 30 | 152.0 | 137.2 | - |
| TF/M 4.533 | 86833453 | 4.5 | 195.1 | 33 | 167.2 | 152.4 | - |
| TF/M 4.536 | 86836453 | 4.5 | 195.1 | 36 | 182.5 | 167.6 | - |
| TF/M 4.539 | 86839453 | 4.5 | 195.1 | 39 | 197.7 | 182.9 | - |
| TF/M 4.542 | 86842453 | 4.5 | 195.1 | 42 | 213.0 | 198.1 | 96.5 |
| TF/M 4.545 | 86845453 | 4.5 | 195.1 | 45 | 228.2 | 213.4 | 106.7 |
| TF/M 4.548 | 86848453 | 4.5 | 195.1 | 48 | 243.4 | 228.6 | 111.8 |
| TF/M 606 | 86806063 | 6 | 261.8 | 6 | 30.1 | - | - |
| TF/M 609 | 86809063 | 6 | 261.8 | 9 | 45.3 | - | - |
| TF/M 612 | 86812063 | 6 | 261.8 | 12 | 60.6 | 45.7 | - |
| TF/M 615 | 86815063 | 6 | 261.8 | 15 | 75.8 | 61.0 | - |
| TF/M 618 | 86818063 | 6 | 261.8 | 18 | 91.0 | 76.2 | - |
| TF/M 621 | 86821063 | 6 | 261.8 | 21 | 106.3 | 91.4 | - |
| TF/M 624 | 86824063 | 6 | 261.8 | 24 | 121.5 | 106.7 | - |
| TF/M 627 | 86827063 | 6 | 261.8 | 27 | 136.8 | 121.9 | - |
| TF/M 630 | 86830063 | 6 | 261.8 | 30 | 152.0 | 137.2 | - |
| TF/M 633 | 86833063 | 6 | 261.8 | 33 | 167.2 | 152.4 | - |
| TF/M 636 | 86836063 | 6 | 261.8 | 36 | 182.5 | 167.6 | - |
| TF/M 639 | 86839063 | 6 | 261.8 | 39 | 197.7 | 182.9 | - |
| TF/M 642 | 86842063 | 6 | 261.8 | 42 | 213.0 | 198.1 | 96.5 |
| TF/M 645 | 86845063 | 6 | 261.8 | 45 | 228.2 | 213.4 | 106.7 |
| TF/M 648 | 86848063 | 6 | 261.8 | 48 | 243.4 | 228.6 | 111.8 |

Note:

Please order collar screw and screw holder separately



Z-2802080



Part front panels from 6 to 48 TE.
For 3, 4, 5 and 6 HE .
Material: aluminium 2.5 mm,
front anodized, rear passivated.



Welcome to BOPLA City!

BOTEGO accessories

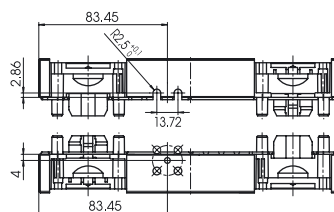


Handle

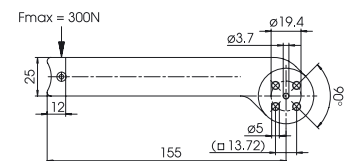
| Order designation | | | | | For use with |
|-------------------|-----------|----|-------|-------|-----------------|
| Model | Order no. | TE | T1 | T2 | enclosure |
| BO HS 30000 | 68430000 | – | 174.0 | – | BO 320... (L) |
| BO HS 50000 | 68450000 | – | 240.7 | – | BO 514... (L) |
| BO HS 50000 | 68450000 | – | 240.7 | – | BO 520... (L) |
| BO HS 60000 | 68460000 | – | 307.4 | – | BO 626... (L) |
| BO HS 00015 * | 68400015 | 15 | – | 97.7 | BO ...06 + 1 AB |
| BO HS 00018 * | 68400018 | 18 | – | 112.9 | BO ...09 + 1 AB |
| BO HS 00021 * | 68400021 | 21 | – | 128.2 | BO ...12 + 1 AB |
| BO HS 00024 * | 68400024 | 24 | – | 143.4 | BO ...06 + 2 AB |
| BO HS 00027 * | 68400027 | 27 | – | 158.6 | BO ...09 + 2 AB |
| BO HS 00030 * | 68400030 | 30 | – | 173.9 | BO ...12 + 2 AB |
| BO HS 00033 * | 68400033 | 33 | – | 189.1 | BO ...06 + 3 AB |
| BO HS 00036 * | 68400036 | 36 | – | 204.4 | BO ...09 + 3 AB |
| BO HS 00039 * | 68400039 | 39 | – | 219.6 | BO ...12 + 3 AB |
| BO HS 00042 * | 68400042 | 42 | – | 234.8 | BO ...06 + 4 AB |
| BO HS 00045 * | 68400045 | 45 | – | 250.1 | BO ...09 + 4 AB |
| BO HS 00048 * | 68400048 | 48 | – | 265.3 | BO ...12 + 4 AB |

* = available on request

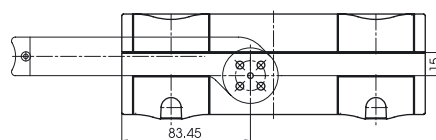
Machining for BO HS 30000, 50000, 60000
half shell - low



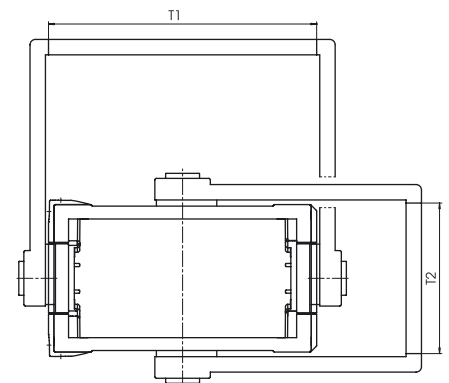
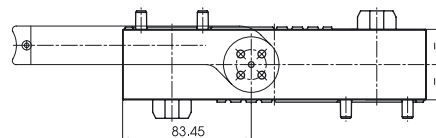
Machining for BO HS.....



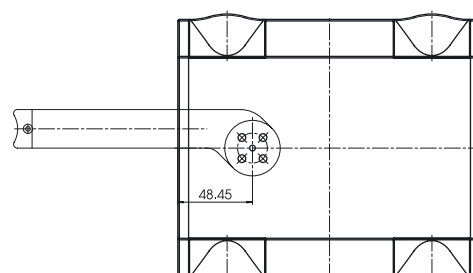
half shell high -



extension kit BO AB



Machining for BO HS 000 . . .



When used with enclosure BO 626.. (L), in order to permit the handle to be swivelled onto the enclosure side, the handle must be mounted displaced by 20 mm away from the middle of the enclosure.

Depending on the intended use of the enclosure, the handle can be fitted from the exterior to the side of the enclosure or to the enclosure foil surface.

Because the handle swivels, in addition to its carrying function it can also be used to hold the enclosure at an angle (fixed locking position every 30°).

We will be happy to carry out for you the processing of the half-shells/ extension sets which is necessary for the mounting of the handle. The side sections of the handle are light grey, similar to RAL 7035, the profile is silver-colour anodized.

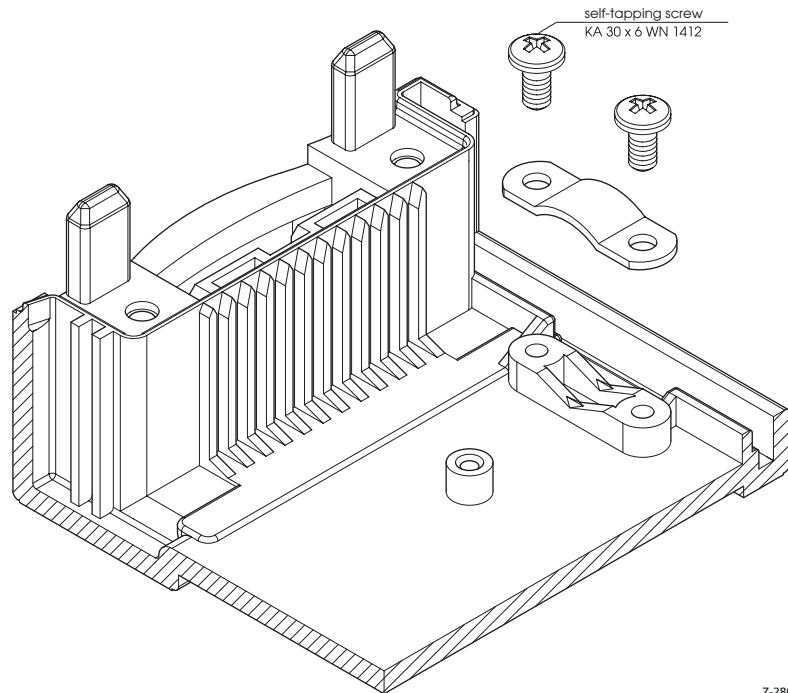
Order designation

| Model | Order no. | PU |
|--------------------------|-----------|-----------|
| BOTEGO strain relief set | 68900040 | 10 pieces |

Strain relief set

On the front of each half-shell there are two places suitable for fitting a cable strain relief.
For cable diameters from 4 mm to max. 6 mm.

Scope of delivery:
10 strain relief brackets,
20 screws



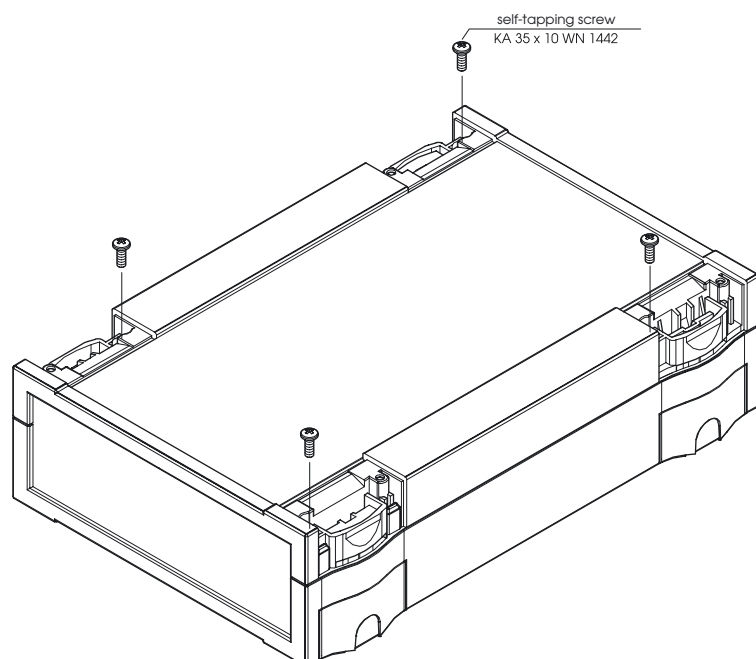
Z-2802070

Order designation

| Model | Order no. | PU |
|------------------|-----------|-----------|
| BOTEGO screw set | 68900030 | 40 pieces |

Screw set

The entire BOTEGO enclosure range is supplied as standard with a sturdy snap-lock system.
When more than one extension set is used, and when very heavy equipment is fitted in the enclosures, it may be necessary to use additional screwing.



Z-2802069