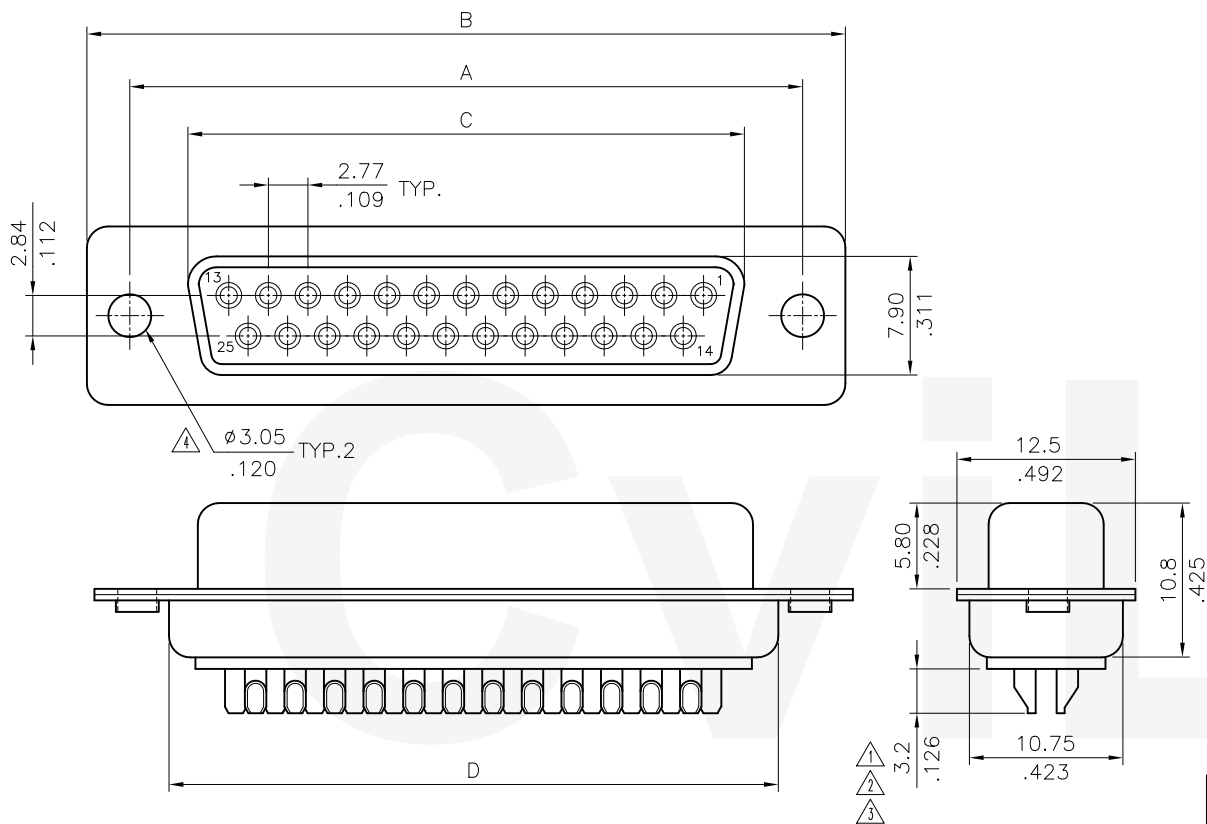


Material:

Insulator: Glass filled polyester UL 94V-0

Contact: Brass

△ Shell: Steel, Nickel plated as standard



Ordering Code

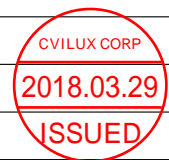
CD51 25 S 2 1 00
 ① ② ③ ④ ⑤ ⑥

- ① Series No.
- ② No. of Circuits: 9,15,25,37
- ③ Contact type: S= Receptacle(Female)
- ④ Plating option:
 2= Gold flash plated over Nickel
 A= Selective Gold flash plated over Nickel
- ⑤ Color: 1= Black, 7= Blue, 0= White
- ⑥ Other Option:
 00 = With $\phi 3.05$ mm holes on shell(Standard)
 A0 = Riveted #4-40 UNC close nuts on front shell
 B0 = Riveted #4-40 UNC open nuts on front shell
 C0 = Riveted #4-40 UNC open nuts on rear shell

Circuits	Dimension			
	A	B	C	D
9	25.00(.984)	30.8(1.213)	16.30(.642)	19.20(.756)
15	33.32(1.312)	39.2(1.543)	24.60(.969)	27.70(1.091)
25	47.04(1.852)	53.1(2.091)	38.30(1.508)	41.10(1.618)
37	63.50(2.500)	69.4(2.732)	54.80(2.157)	57.30(2.256)

Mounting Style		Lead Free Process		RoHS Compliant			
Code	00	Code	A0	Code	B0	Code	C0
			DIM. L= 5.8mm		DIM. L= 4.0mm		DIM. L= 4.0mm

△5	Ken	3/13-18'	ECRT117079/ECNT118047		DATE	UNIT: mm / inch	TITLE: D-SUB FEMALE SOLDER CUP SERIES	瀚荃股份有限公司 CviLux Corporation
△4	Sandy	3/25-10'	ECN10079	DRAWN BY: Ken	3/15-18'	TOLERANCE UNLESS OTHERWISE SPECIFIED	MATERIAL:	
△3	Sun	9/30-09'	ECR09128-0/ECN09488	ENGINEER: Sun	3/16-18'	.X ±0.30/.012 X: ± 1'		
△2	Sun	9/18-06	ECN06329	CHECKED BY: Eisley	3/23-18'	.XX ±0.20/.008 X: ±	FINISH:	
SYM	NAME	DATE	REVISIONS	APPROVED BY: Eisley	3/23-18'	.XXX ±0.10/.004 XX: ±		



DRAWING NO.	CD5102SG	PART NO.	CD51**S****
SCALE	2 / 1	SHEET	1 OF 1