

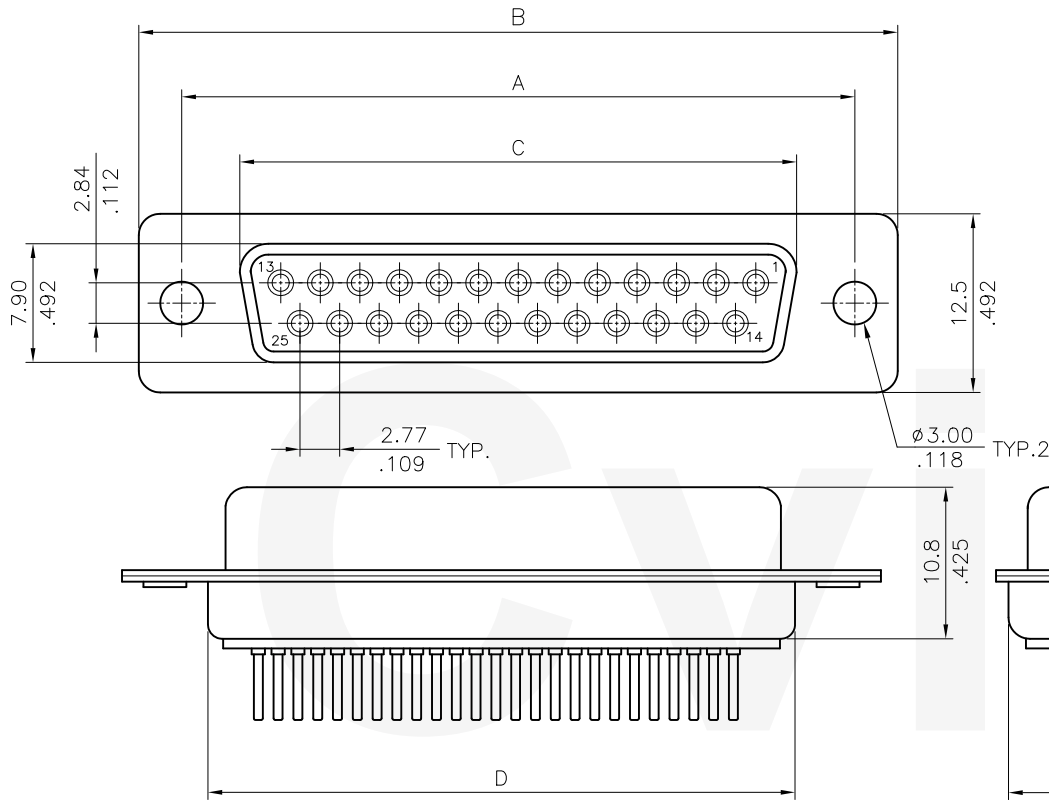
Materials:

* Insulator: Glass filled polyester UL 94V-0

* Contact: Brass

△ * Shell: Steel, Nickel plated as standard

Recommended P.C. Board Layout see drawing No. CD5303S*



Circuits	Dimension			
	A	B	C	D
9	25.00(.984)	30.8(1.213)	16.30(.642)	19.20(.756)
15	33.32(1.312)	39.2(1.543)	24.60(.969)	27.70(1.091)
25	47.04(1.852)	53.1(2.091)	38.30(1.508)	41.10(1.618)
37	63.50(2.500)	69.4(2.732)	54.80(2.157)	57.30(2.256)

Ordering Code:

CD53 25 S 2 1 00
① ② ③ ④ ⑤ ⑥

- ① Series No.
- ② Contacts: 9,15,25,37
- ③ Contact type: S=Receptacle(Female)
- ④ Plating option:
2= Gold flash plated over Nickel
A= Selective Gold flash plated over Nickel
B= Selective 0.38μm(15μ") Gold plated over 1.27μm(50μ") Nickel
C= Selective 0.76μm(30μ") Gold plated over 1.27μm(50μ") Nickel
- ⑤ Color: 1= Black, 0= White, 7= Blue
- ⑥ Other Option:
△ 00 = With Ø3.00mm holes on shell(Standard)
B0 = Riveted #4-40 UNC open nuts on front shell
C0 = Riveted #4-40 UNC open nuts on rear shell
△ D0 = Riveted #4-40 UNC ground stand-off on rear shell

Lead Free Process

RoHS Compliant

Mounting Style

Code	00	Code	B0	Code	C0	Code	D0
			DIM. L= 4.0mm		DIM. L= 4.0mm		DIM. L= 6.0mm

△ 4						DATE	UNIT: mm / inch	TITLE: D-SUB TOP ENTRY BOARD MOUNT FEMALE CONNECTOR	瀚荃股份有限公司 CviLux Corporation
△ 3	Ken	3/15-18'	ECRT117079/ECNT118047	DRAWN BY: Ken	3/15-18'	TOLERANCE UNLESS OTHERWISE SPECIFIED		MATERIAL:	
△ 2	Sandy	3/25-10'	ECN10079	ENGINEER: Sun	3/16-18'	.X ±0.30/.012 X: ± 1'		FINISH:	
△ 1	SUN	8/27/03'	ECN03269	CHECKED BY: Eisley	3/23-18'	.XX ±0.20/.008 X: ±			
SYM	NAME	DATE	REVISIONS	APPROVED BY: Eisley	3/23-18'	.XXX ±0.10/.004 X: ±			

CVILUX CORP
 2018.03.29
 ISSUED

DRAWING NO.	CD5301SJ	PART NO.	CD53**S****
SCALE	2 / 1	SHEET	1 OF 1