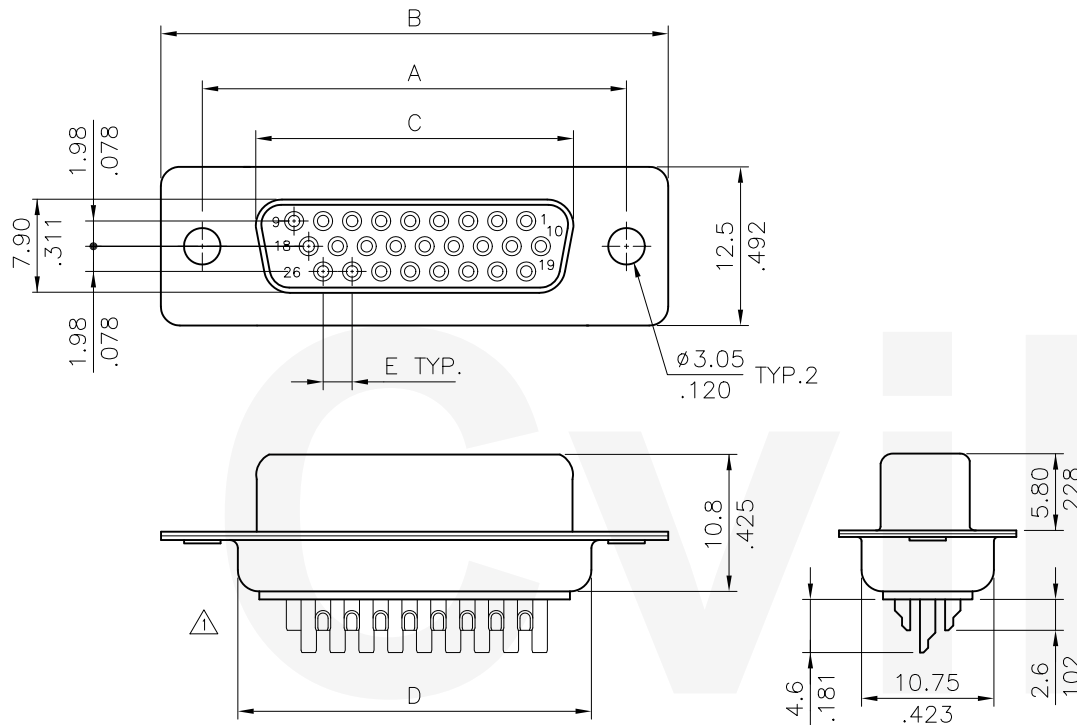


Materials:

* Insulator: Glass filled polyester UL 94V-0

* Contacts: Copper alloy

△ * Shell: Steel, Nickel plated as standard



Circuits	Dimension				
	A	B	C	D	E
15	25.00(.984)	30.8(1.213)	16.30(.642)	19.30(.760)	2.29(.090)
26	33.32(1.312)	39.2(1.543)	24.60(.969)	27.70(1.091)	2.29(.090)
44	47.04(1.852)	53.1(2.091)	38.30(1.508)	41.10(1.618)	2.29(.090)
62	63.50(2.500)	69.4(2.732)	54.80(2.157)	57.30(2.256)	2.41(0.95)

Ordering Code :

CD01 26 S A 1 00
 ① ② ③ ④ ⑤ ⑥

- ① Series No.
- ② No. of Circuits
- ③ Contact type: S= Receptacle(Female)
- ④ Plating code:
 2= Gold flash plated over Nickel
 A= Selective Gold flash plated over Nickel
 B= Selective 0.38μm(15μ") Gold plated over 1.27μm(50μ") Nickel
 C= Selective 0.76um(30μ") Gold plated over 1.27μm(50μ") Nickel
- ⑤ Color: 1= Black, 7= Blue, 0= White
- ⑥ Mounting style:
 00= With ø3.05mm holes on shell(Standard)
 A0= Riveted #4-40 UNC close nuts on front shell
 B0= Riveted #4-40 UNC open nuts on front shell
 C0= Riveted #4-40 UNC open nuts on rear shell

Mounting Style

Code		00	Code		A0	Code		B0	Code		C0
		DIM. L= 5.8mm				DIM. L= 4.0mm				DIM. L= 4.0mm	

RoHS Compliant

△4					DATE	UNIT: mm / inch	TITLE: HIGH-DENSITY D-SUB SOLDER CUP FEMALE CONNECTOR	瀚荃股份有限公司 CviLux Corporation			
△3					DRAWN BY: Ken	3/12-18'	MATERIAL:				
△2	Ken	3/12-18'	ECRT117079/ECNT118047	2018.03.22	ENGINEER: Sun	3/13-18'	FINISH:	DRAWING NO. CD0101SF	PART NO.	CD01**S****	
△1	Ken	7/19-16'	ECRT116029/ECNT116156	ISSUED	CHECKED BY: Eisley	3/15-18'		SCALE	2 / 1	SHEET	1 OF 1
SYM	NAME	DATE	REVISIONS		APPROVED BY: Eisley	3/15-18'					