

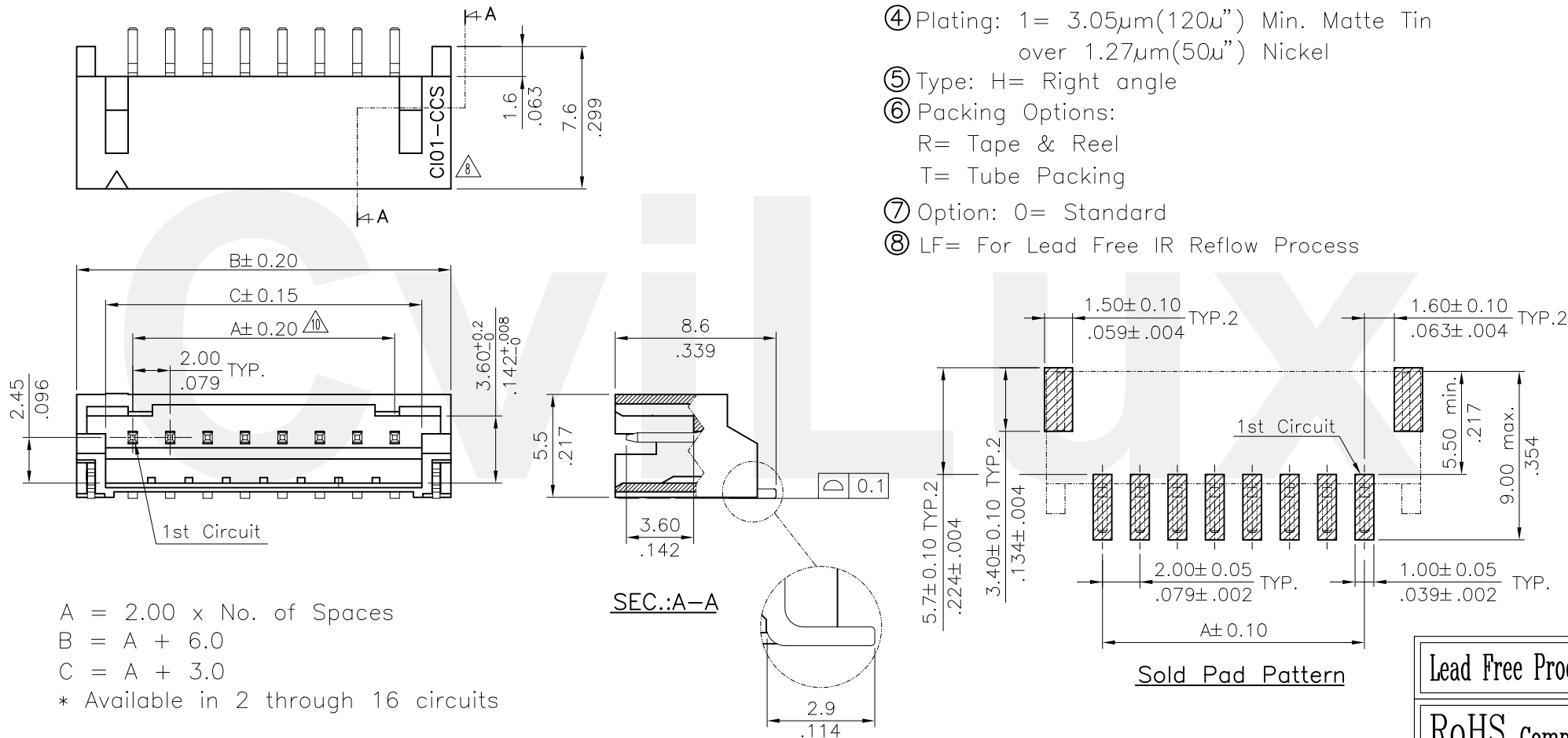
Note:


1. Material:
 - * Insulation: Nylon 6T UL 94V-0, Color Nature
 - * Contact: Brass
 - * TAB: Brass
2. Plating:
 - * TAB: Matte Tin plated over Nickel
3. For Lead-Free IR Reflow process


Ordering Code:

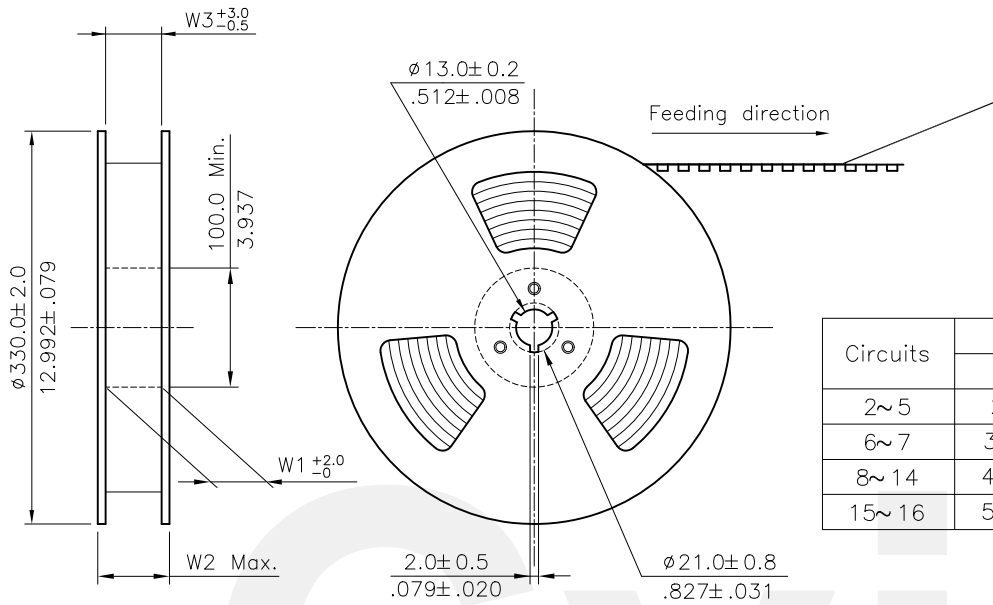
$\frac{CI01}{①}$
 $\frac{**}{②}$
 $\frac{M}{③}$
 $\frac{1}{④}$
 $\frac{H}{⑤}$
 $\frac{*}{⑥}$
 $\frac{0}{⑦}$
 $\frac{-LF}{⑧}$

- ① Series No.
- ② No. of Circuits: 02~16
- ③ Contacts Type: M= SMT
- ④ Plating: 1 = $3.05\mu\text{m}(120\mu\text{'})$ Min. Matte Tin over $1.27\mu\text{m}(50\mu\text{'})$ Nickel
- ⑤ Type: H= Right angle
- ⑥ Packing Options:
R= Tape & Reel
T= Tube Packing
- ⑦ Option: 0= Standard
- ⑧ LF= For Lead Free IR Reflow Process



⑩	Sandy	12/13-16'	ECNT116287		DATE	UNIT: mm / inch	TITLE: 2.00mm PITCH SIDE ENTRY SMT HEADER	 瀚荃股份有限公司 CviLux Corporation	DRAWING NO. CI0139SK PART NO. CI01**M1H*0-LF	
⑨	Enya	3/5-13'	ECN13056-0/ECR13007-1	DRAWN BY: Sandy	12/13-16'	TOLERANCE UNLESS OTHERWISE SPECIFIED	MATERIAL:		SCALE 3 / 1	SHEET 1 OF 2
⑧	Sun	9/21-11'	ECN11202	ENGINEER: Sun	12/13-16'	.X ± 0.30/.012 X' ± 1'	FINISH:			
⑦	Sun	6/13-11'	ECR11022-1/ECN11127	CHECKED BY: Eisley	12/14-16'	.XX ± 0.20/.008 .X' ±				
SYM	NAME	DATE	REVISIONS	APPROVED BY: Eisley	12/14-16'	.XXX ± 0.10/.004 .XX' ±				

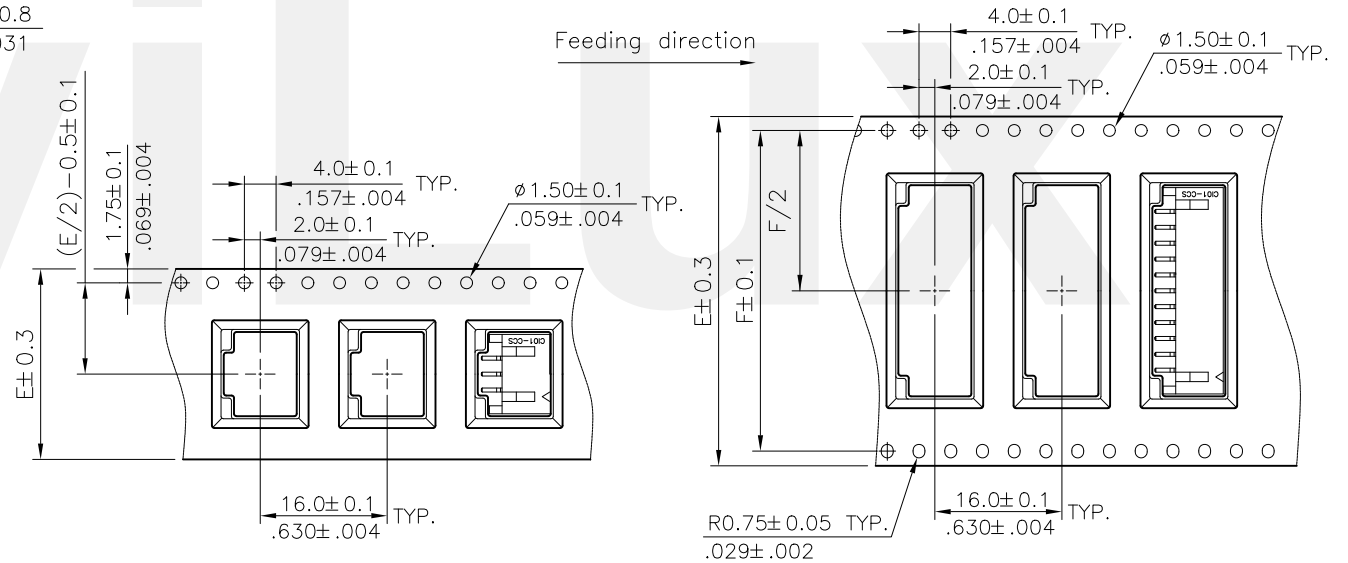
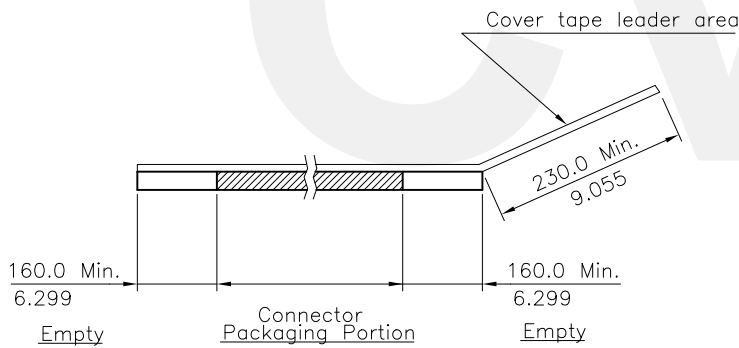

2016.12.15
ISSUED



NOTE :

- △ * Reel Material : Corrugated Paper
- * Carrier Material : Transparent Anti-static Polysyrene.
- * Cover Tape Material : Polyester
- * Cover Tape Peel Strength : 0.1N – 1.3N
- * Carrier camber is within 1mm in 100mm
- * All dimensions meet EIA-481-2 requirements.
- * Quantity : 700 PCS/Reel

Circuits	Dimension					Packing (Reel/Caton)
	E	F	W1	W2	W3	
2~5	24.0(.945)	-	24.5(.965)	30.5(1.200)	24.5(.965)	9
6~7	32.0(1.260)	28.40(1.118)	32.5(1.280)	38.5(1.516)	32.5(1.280)	7
8~14	44.0(1.732)	40.40(1.596)	44.4(1.748)	50.4(1.984)	44.4(1.748)	5
15~16	56.0(2.205)	52.40(2.062)	56.5(2.224)	62.5(2.460)	56.5(2.224)	3



WIDTH : 24 mm Carrier

WIDTH : 32.44.56 mm Carrier

RoHS Compliant

SYM	NAME	DATE	REVISIONS	APPROVED BY:	DATE	UNIT: mm / inch	TITLE: 2.00mm PITCH SIDE ENTRY SMT HEADER	 瀚荃股份有限公司 CviLux Corporation
△10	Sandy	12/13-16'	ECNT116287		DATE	UNIT: mm / inch	TITLE: 2.00mm PITCH SIDE ENTRY SMT HEADER	
△9	Enya	3/5-13'	ECN13056-0/ECR13007-1	DRAWN BY: Sandy	12/13-16'	TOLERANCE UNLESS OTHERWISE SPECIFIED	MATERIAL:	SCALE SHEET 2 OF 2
△8	Sun	9/21-11'	ECN11202	ENGINEER: Sun	12/13-16'	.X ±	FINISH:	
△7	Sun	6/13-11'	ECR11022-1/ECN11127	CHECKED BY: Eisley	12/14-16'	.XX ±		
				APPROVED BY: Eisley	12/14-16'	.XXX ±		

CVILUX CORP
 2016.12.15
 ISSUED