

Note: 1. Material:

- * Insulation: Nylon 6T UL 94V-0, Color Nature (Halogen-Free)
- * Contact: Brass
- * TAB: Brass with matte Tin plated

2. Plating:

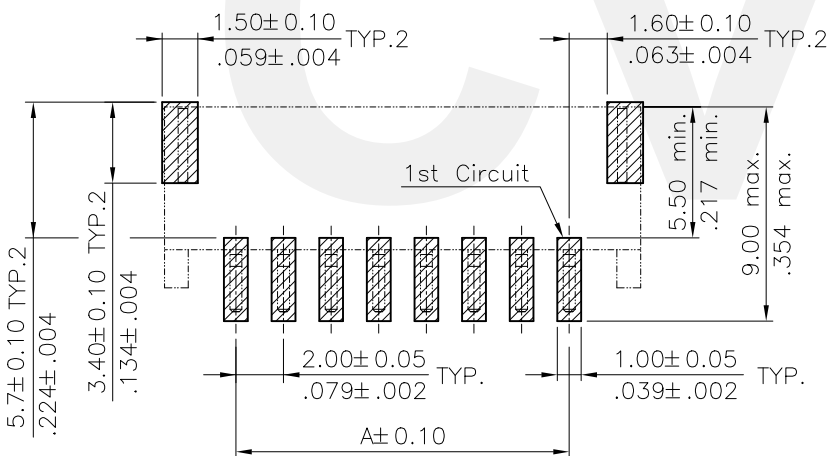
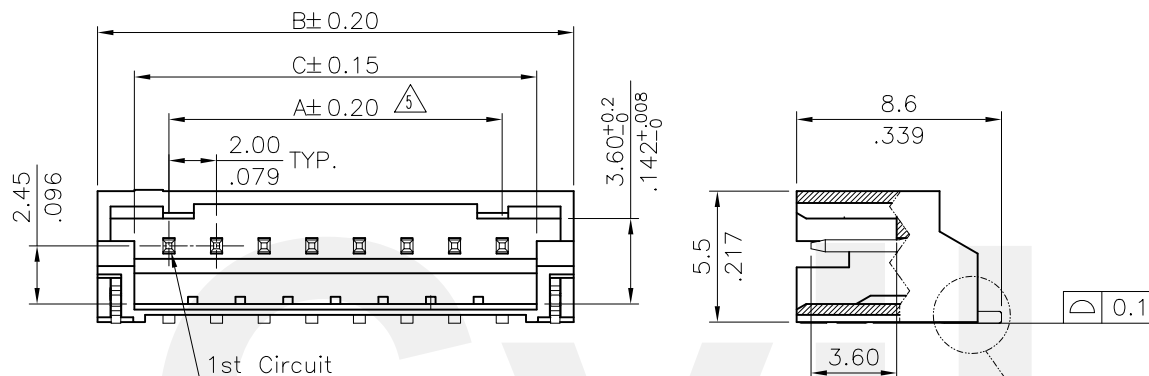
- * TAB: Matte Tin plated over Nickel

△ 3. For Lead Free IR Reflow Process

Ordering Code:

CI01 ** M 1 H * 0 -NH
 ① ② ③ ④ ⑤ ⑥ ⑦ ⑧

- ① Series No.
- ② No. of Circuits: 02~16
- ③ Contacts Type: M= SMT
- ④ Plating: 1= 3.05 μ m(120 μ ") Min. Tin over
1.27 μ m(50 μ ") Nickel(Matte Tin Finish)
- ⑤ Type: H= Right angle
- ⑥ Packing Options:
R= Tape & Reel
T= Tube Packing
- ⑦ Option: 0= Standard
- ⑧ NH= For Lead Free IR Reflow Process
and Halogen-Free



SEC.:A-A

A = 2.00 x No. of Spaces

B = A + 6.0

C = A + 3.0

* Available in 2 through 16 circuits

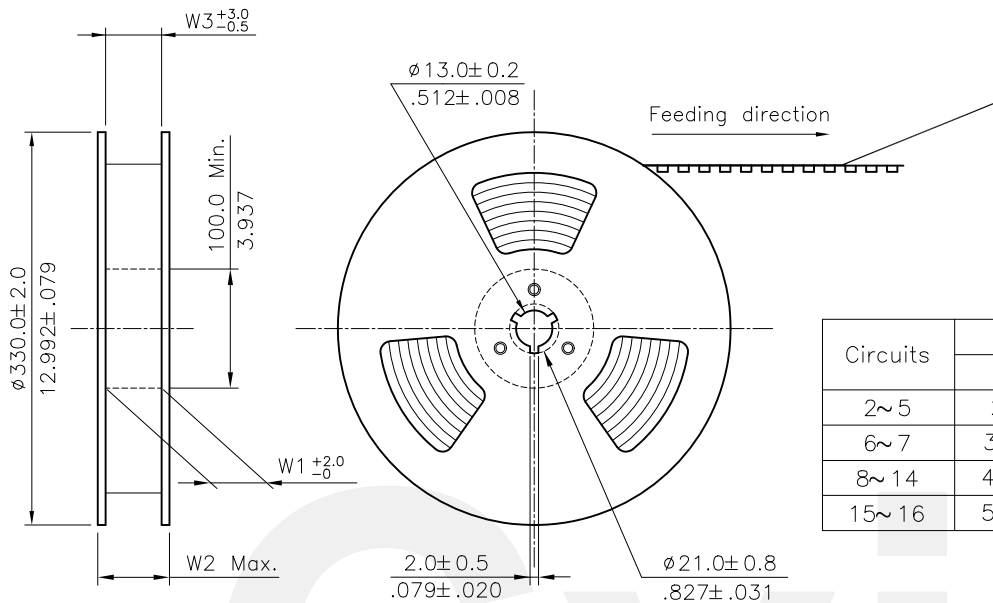
Halogen-Free

Lead Free Process

RoHS Compliant

△5	Sandy	12/13-16	ECNT116287		DATE	UNIT: mm / inch	TITLE: 2.00mm PITCH SIDE ENTRY SMT HEADER	瀚荃股份有限公司 CviLux Corporation			
△4	Enya	3/5-13'	ECN13056-0/ECR13007-1	DRAWN BY: Sandy	12/13-16'	TOLERANCE UNLESS OTHERWISE SPECIFIED	MATERIAL:				DRAWING NO.
△3	Sun	9/21-11'	ECN11202	ENGINEER: Sun	12/13-16'	.X ± 0.30/.012 X: ± 1'	FINISH:	SCALE	3 / 1	SHEET	1 OF 2
△2	Sun	5/25-11'	ECR10039-2/ECN11060	CHECKED BY: Eisley	12/14-16'	.XX ± 0.20/.008 X: ±					
SYM	NAME	DATE	REVISIONS	APPROVED BY: Eisley	12/14-16'	.XXX ± 0.10/.004 XX ±					

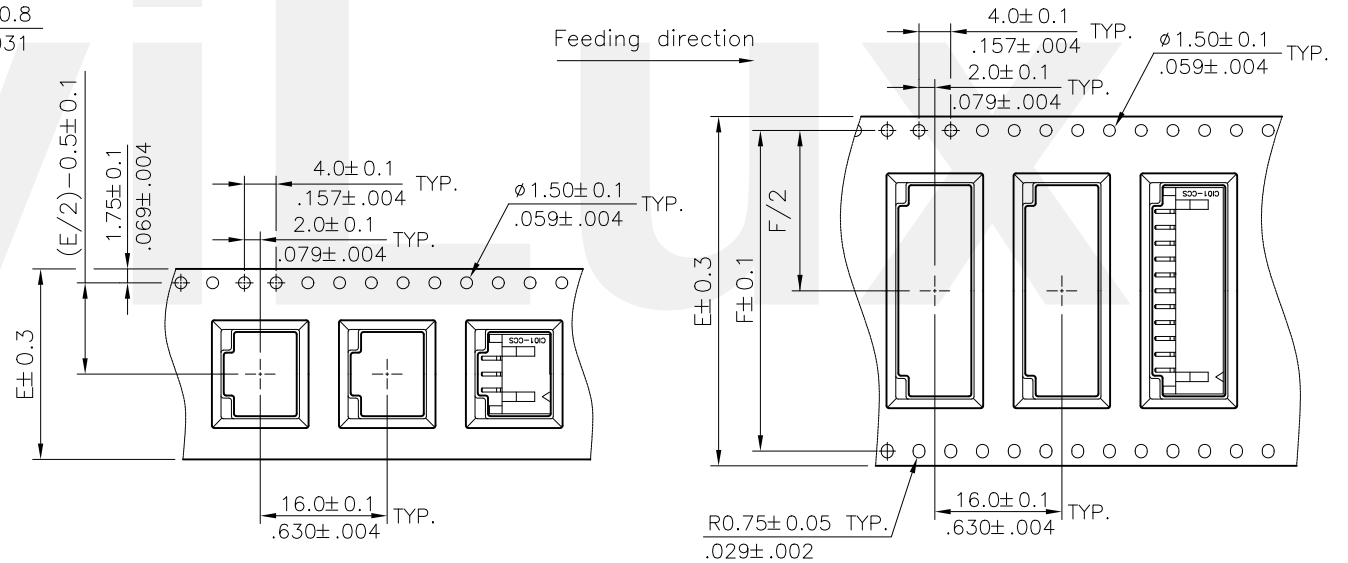
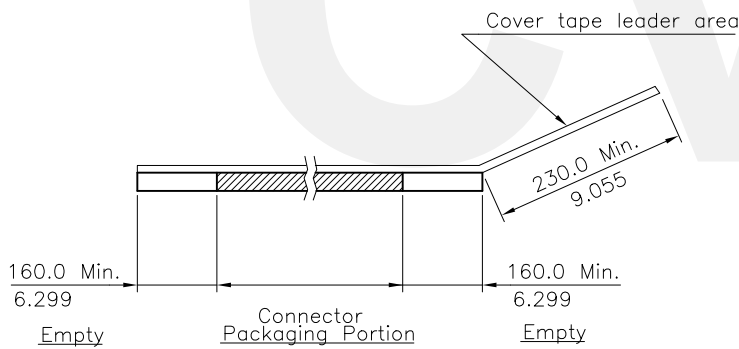
CVILUX CORP
 2016.12.15
 ISSUED



NOTE :

- △ * Reel Material : Corrugated Paper
- * Carrier Material : Transparent Anti-static Polysyrene.
- * Cover Tape Material : Polyester
- * Cover Tape Peel Strength : 0.1N - 1.3N
- * Carrier camber is within 1mm in 100mm
- * All dimensions meet EIA-481-2 requirements.
- * Quantity : 700 PCS/Reel

Circuits	Dimension					Packing (Reel/Caton)
	E	F	W1	W2	W3	
2~5	24.0(.945)	-	24.5(.965)	30.5(1.200)	24.5(.965)	9
6~7	32.0(1.260)	28.40(1.118)	32.5(1.280)	38.5(1.516)	32.5(1.280)	7
8~14	44.0(1.732)	40.40(1.596)	44.4(1.748)	50.4(1.984)	44.4(1.748)	5
15~16	56.0(2.205)	52.40(2.062)	56.5(2.224)	62.5(2.460)	56.5(2.224)	4



WIDTH : 24 mm Carrier

WIDTH : 32,44,56 mm Carrier

RoHS Compliant

△	SYMBOL	NAME	DATE	REVISIONS	APPROVED BY:	DATE	UNIT: mm / inch	TITLE: 2.00mm PITCH SIDE ENTRY SMT HEADER	MATERIAL:	FINISH:	DRAWING NO. CIO117AF	PART NO. CIO1**M1H*0-NH	SCALE	SHEET 2 OF 2
5	Sandy	12/13-16	ECNT116287			DATE	UNIT: mm / inch	TITLE: 2.00mm PITCH SIDE ENTRY SMT HEADER						
4	Enya	3/5-13'	ECN13056-0/ECR13007-1		DRAWN BY: Sandy	12/13-16'	TOLERANCE UNLESS OTHERWISE SPECIFIED							
3	Sun	9/21-11'	ECN11202		ENGINEER: Sun	12/13-16'	.X ±	X' ± I'						
2	Sun	5/25-11'	ECR10039-2/ECN11060		CHECKED BY: Eisley	12/14-16'	.XX ±	.X ±						
	SYM	NAME	DATE	REVISIONS	APPROVED BY: Eisley	12/14-16'	.XXX ±	.XX ±						

