

Note:

1. Material:

* Insulation: Nylon 6T UL 94V-0, Color Nature

* Contact: Brass with Matte Tin plated

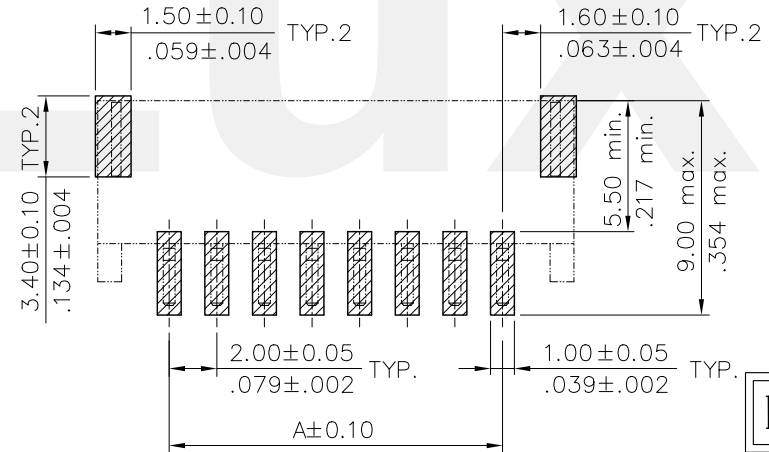
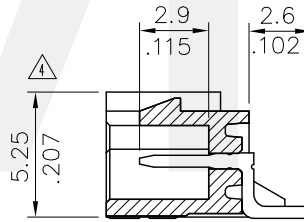
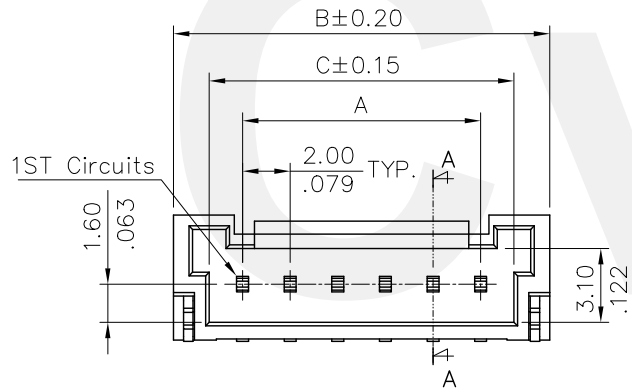
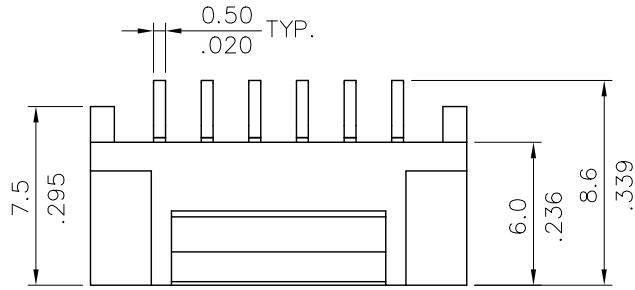
* TAB: Brass with Matte Tin plated

△ 2. For Lead Free IR Reflow Process

Ordering Code:

CI06 ** M 1 H * 0 -LF
 ① ② ③ ④ ⑤ ⑥ ⑦ ⑧

		TOLERANCE		
Dim	Circuits	2~6P	7~10P	11~15P
A		±0.10	±0.15	±0.20



A = 2.00 x No. of Spaces

△ B = A + 5.8

△ C = A + 2.8

* Available in 2 through 15 circuits


- ① Series No.
- ② No. of Circuits:
- ③ Contacts Type: M= SMT
- ④ Plating: 1= 3.05μm(120μ") Min. Matte Tin over 1.27μm(50μ") Nickel
- ⑤ Type: H= Right angle
- ⑥ Packing Options:
R= Tape & Reel
T= Tube Packing
- ⑦ Option: 0= Standard
- ⑧ LF= For Lead Free IR Reflow Process

SEC.:A-A

Sold Pad Pattern

Lead Free Process

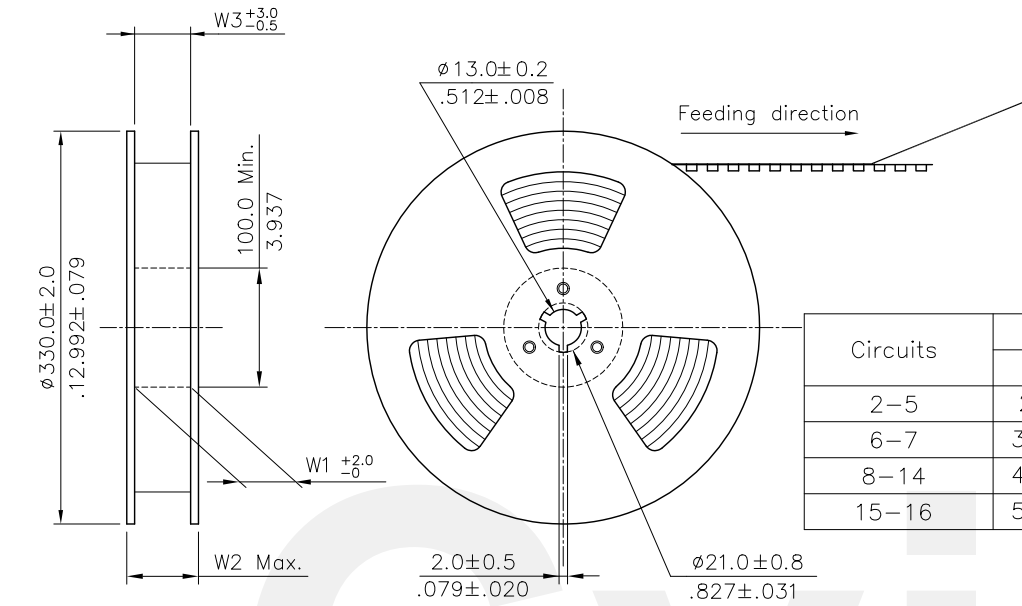
RoHS Compliant

SYM	NAME	DATE	REVISIONS	APPROVED BY:	DATE	UNIT: mm / inch	TITLE: 2.00mm PITCH SIDE ENTRY SMT HEADER	 瀚荃股份有限公司 CviLux Corporation											
△5	Enya	3/8-13'	ECN13056-0/ECR13007-1					<table border="1"> <tr> <td>DRAWING NO.</td> <td>CI0607SF</td> <td>PART NO.</td> <td>CI06**M1H*0-LF</td> </tr> <tr> <td>SCALE</td> <td>3 / 1</td> <td>SHEET</td> <td>1 OF 2</td> </tr> </table>				DRAWING NO.	CI0607SF	PART NO.	CI06**M1H*0-LF	SCALE	3 / 1	SHEET	1 OF 2
DRAWING NO.	CI0607SF	PART NO.	CI06**M1H*0-LF																
SCALE	3 / 1	SHEET	1 OF 2																
△4	Sandy	6/18-10'	ECN10212	DRAWN BY:	Enya	3/08-13'	TOLERANCE UNLESS OTHERWISE SPECIFIED												
△3	Sun	3/30-10'	ECN10088	ENGINEER:	Eisley	3/09-13'	.X ± 0.30/.012 X: ± 1'												
△2	Sandy	9/5-08'	ECN08403	CHECKED BY:	Eisley	3/09-13'	.XX ± 0.20/.008 .X: ±												
				APPROVED BY:	David	3/09-13'	.XXX ± 0.10/.004 .XX: ±												

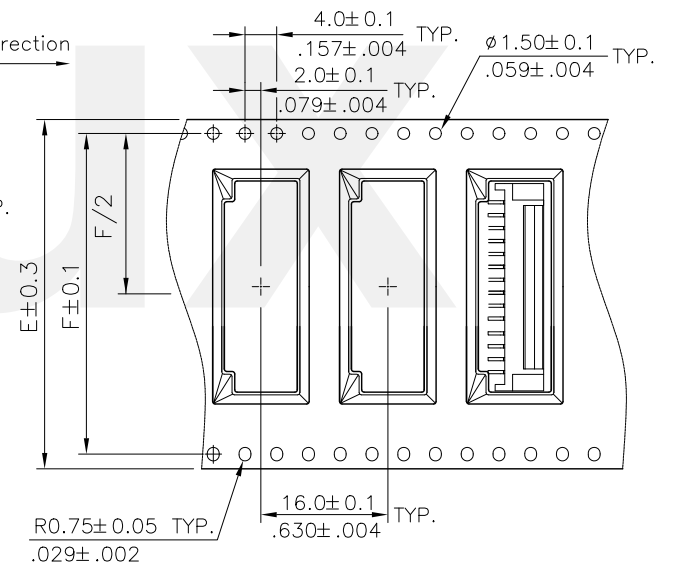
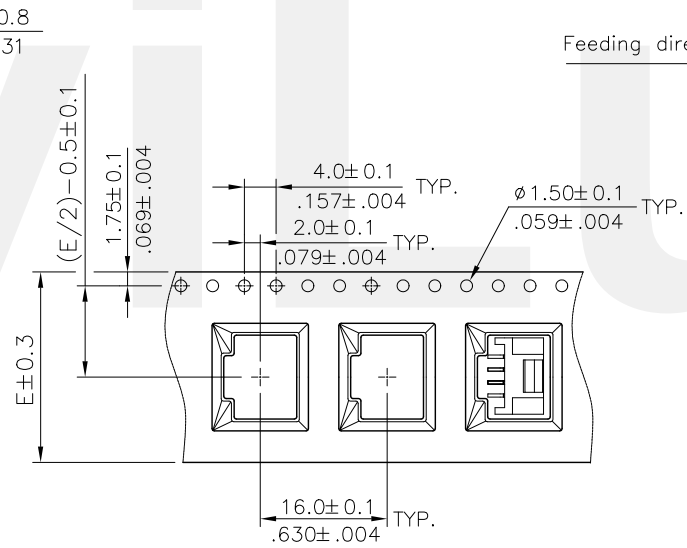
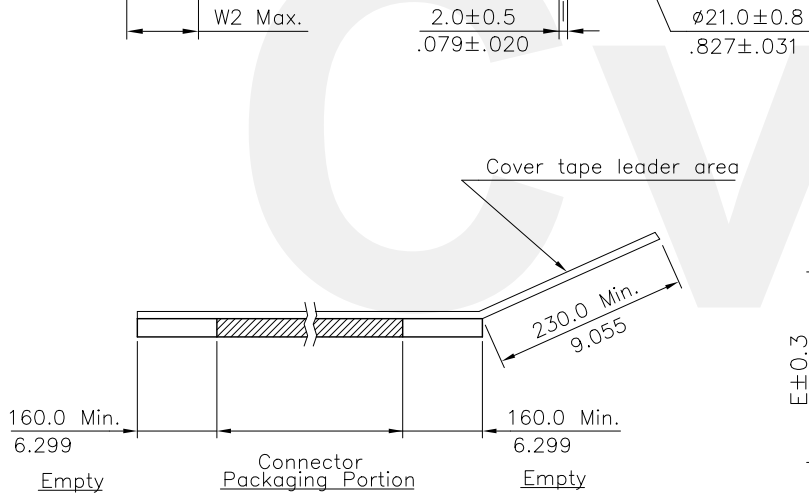

 2013.05.07
 ISSUED

NOTE :

- * Reel Material : HIPS
- * Carrier Material : Transparent Anti-static Polysyrene.
- * Cover Tape Material : Polyester
- * Cover Tape Peel Strength : 0.1N – 1.3N
- * Carrier camber is within 1mm in 100mm
- * All dimensions meet EIA-481-2 requirements.
- * Quantity : 700 PCS/Reel



Circuits	Dimension					Packing (Reel/Carton)
	E	F	W1	W2	W3	
2-5	24.0(.945)	-	24.5(.965)	30.5(1.200)	24.5(.965)	9
6-7	32.0(1.260)	28.40(1.118)	32.5(1.280)	38.5(1.516)	32.5(1.280)	7
8-14	44.0(1.732)	40.40(1.596)	44.5(1.752)	50.5(1.988)	44.5(1.752)	5
15-16	56.0(2.205)	52.40(2.063)	56.5(2.224)	62.5(2.461)	56.5(2.224)	4



WIDTH : 24 mm Carrier

WIDTH : 32,44,56 mm Carrier

RoHS Compliant

REV	SYMBOL	NAME	DATE	REVISIONS	APPROVED BY:	DATE	UNIT: mm / inch	TITLE: 2.00mm PITCH SIDE ENTRY SMT HEADER	MATERIAL:	FINISH:	DRAWING NO. CIO607SF	PART NO. CIO6**M1H*0-LF
5	Enya	3/8-13'	ECN13056-0/ECR13007-1									
4	Sandy	6/18-10'	ECN10212		DRAWN BY: Enya	3/08-13'	TOLERANCE UNLESS OTHERWISE SPECIFIED					
3	Sun	3/30-10'	ECN10088		ENGINEER: Eisley	3/09-13'	.X ±	X' ±				
2	Sandy	9/5-08'	ECN08403		CHECKED BY: Eisley	3/09-13'	.XX ±	.X' ±				
	SYM	NAME	DATE	REVISIONS	APPROVED BY: David	3/09-13'	.XXX ±	.XX' ±			SCALE	SHEET 2 OF 2

CVILUX CORP
2013.05.07
ISSUED

瀚荃股份有限公司
CviLux Corporation