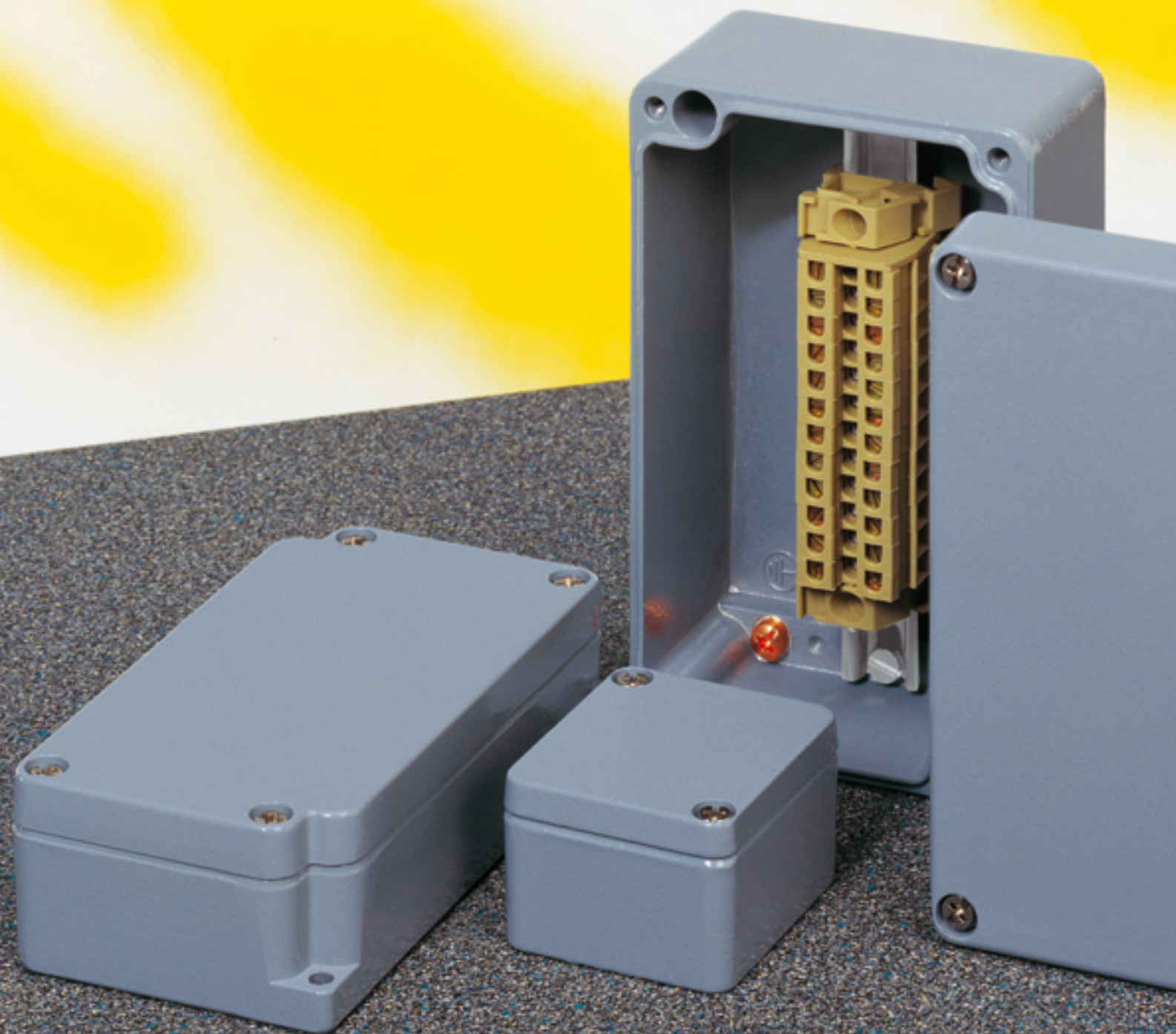


# Euromas-Aluminium



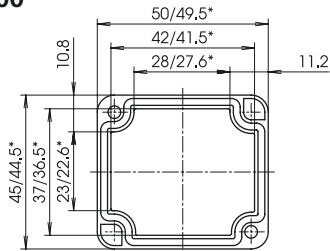
IP 66 and the exceptionally high stress-resistant qualities of aluminium make this an ideal enclosure line when optimal protection is required. 43 different enclosure dimensions and a series of accessories provide the best possible solutions for a wide range of applications. On request, the enclosures are available in special colours, or uncoated.

If you require extremely high protection, the enclosures can be fitted with special EMC screening, or coated with special sea-water resistant lacquer. When fitted with hinges and locks, the enclosures are suitable for use as small, sturdy cabinets. Different lock and hinge systems are available for this purpose. All Euromas aluminium enclosures are UL-listed.

	Enclosure material: Cast alloy G AL Si 12. For technical data see pages 646-655.	Standard enclosures			External dim.		500+ pcs with clear lid		With silicone lid seal	
		Model	Order no.	L	W	H	Model	Order no.	Model	Order no.
<b>Colour:</b>	Silver-grey, similar to RAL 7001, powder-coated. Special colours on request.	A 100	01100000	50	45	30.0	A 101 G	01101500	A 100 SIL	01100010
<b>Scope of delivery:</b>	Upper and lower section: lid screws, made of V2A, earthing screw.	A 101	01101000	58	64	34.0	A 102 G	01102500	A 101 SIL	01101010
<b>Ingress protection:</b>	IP 66/DIN EN 60529; increased protection up to IP x7 on request.	A 102	01102000	98	64	34.0			A 102 SIL	01102010
<b>Lid seal:</b>	Sponge cord (neoprene or polyurethane, foamed) in lid groove. For technical data see page 651.	A 103	01103000	150	64	34.0			A 103 SIL	01103010
<b>Accessories (additional charge):</b>		A 104	01104000	115	64	34.5			A 104 SIL	01104010
M:	Mounting plate, sheet steel, galvanised	A 105	01105000	75	80	57.0	A 105 G	01105500	A 105 SIL	01105010
KP:	Capstan-headed screw, sealable, 2 screws per set	A 106	01106000	186	64	34.5			A 106 SIL	01106010
IS:	Allen head screw, 4 screws per set	A 110	01110000	125	80	57.0	A 110 G	01110500	A 110 SIL	01110011
E:	Earthing bar, mounted with clamps	A 114	01114000	200	100	81.0			A 114 SIL	01114010
WL:	Set of wall brackets = 4 pcs	A 115	01115000	175	80	57.0	A 115 G	01115500	A 115 SIL	01115010
TS 15:	Top hat rail DIN EN 60715 TH15	A 116	01116000	100	100	81.0			A 116 SIL	01116010
TS 32:	G-rail DIN EN 60715 G 32	A 117	01117000	250	80	52.0			A 117 SIL	01117010
TS 35:	Top hat rail DIN EN 60715 TH35	A 118	01118000	160	100	81.0			A 118 SIL	01118010
SchD:	Set of hinges diecast	A 119	01119000	122	120	81.0			A 119 SIL	01119010
<b>Notes:</b>		A 120	01120000	122	120	91.0			A 120 SIL	01120010
- SWB type (saltwater-proof). Available on request: washing - passivating - powder-coating for saltwater-proof applications or for applications requiring higher levels of anti-corrosion protection.		A 121	01121000	140	140	91.0			A 121 SIL	01121010
- EMC version for higher protection against electromagnetic interference on request.		A 122	01122000	220	120	81.0			A 122 SIL	01122010
		A 123	01123000	220	120	91.0			A 123 SIL	01123011
		A 124	01124000	360	120	81.0			A 124 SIL	01124010
		A 125	01125000	160	160	91.0			A 125 SIL	01125011
		A 126	01126000	200	140	91.0			A 126 SIL	01126010
		A 127	01127000	180	180	101.0			A 127 SIL	01127010
		A 130	01130000	260	160	91.0			A 130 SIL	01130011
		A 131	01131000	280	180	101.0			A 131 SIL	01131010
		A 135	01135000	360	160	91.0			A 135 SIL	01135011
		A 138	01138000	560	160	91.0			A 138 SIL	01138010
		A 140	01140000	200	230	111.0			A 140 SIL	01140010
		A 145	01145000	230	100	111.0			A 145 SIL	01145010
		A 150	01150000	200	230	180.0			A 150 SIL	01150010
		A 155	01155000	280	230	111.0			A 155 SIL	01155010
		A 160	01160000	330	230	111.0			A 160 SIL	01160010
		A 165	01165000	330	230	181.0			A 165 SIL	01165010
		A 168	01168000	400	230	111.0			A 168 SIL	01168010
		A 169	01169000	600	230	111.0			A 169 SIL	01169010
		A 170	01170000	400	230	225.0			A 170 SIL	01170010
		A 175	01175000	400	310	111.0			A 175 SIL	01175010
		A 180	01180000	400	310	141.0			A 180 SIL	01180010
		A 185	01185000	400	310	181.0			A 185 SIL	01185010
		A 190	01190000	400	310	227.0			A 190 SIL	01190010
		A 195	01195000	420	240	209.5			A 195 SIL	01195010
		A 196	01196000	600	310	111.0			A 196 SIL	01196010
		A 197	01197000	600	310	181.0			A 197 SIL	01197010
		A 198	01198000	600	600	202.5			A 198 SIL	01198010

# Euromas-Aluminium

## A 100



\*= Dimension reduced at bottom due to conical form.  
Tolerances to GTA 13/5 DIN 1688

lid

3

cylinder screw M4 x 20/7  
similar to DIN EN ISO 1207

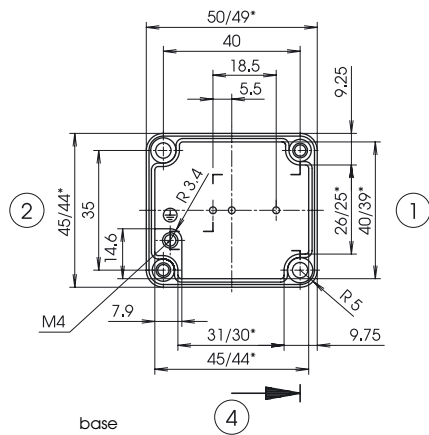
### Order designation

Enclosures	Order no.
A 100	01100000
A 100 SIL	01100010

(SIL = lid with silicone seal)

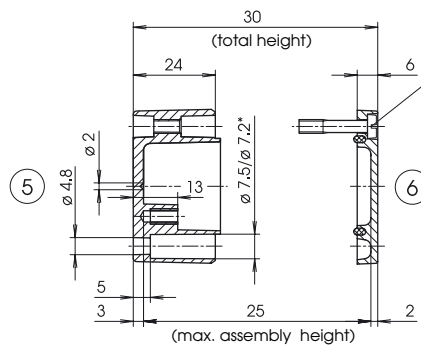
### Accessories (additional charge) Order no.

KP: Capstan-headed screws, sealable	21007915
IS: Allen head screws	21007910



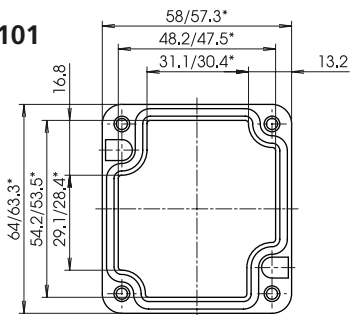
base

4



Z-2401709

## A 101



\*= Dimension reduced at bottom due to conical form.  
Tolerances to GTA 13/5 DIN 1688

lid

1

cylinder screw M4 x 20/7  
similar to DIN EN ISO 1207

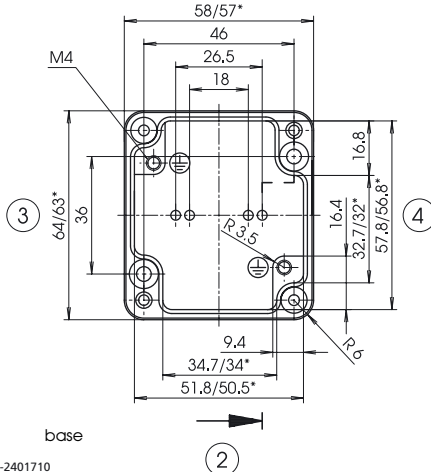
### Order designation

Enclosures	Order no.
A 101	01101000
A 101 SIL	01101010
A 101 G, 500+ pcs	01101500

(SIL = lid with silicone seal,  
G = with transparent lid)

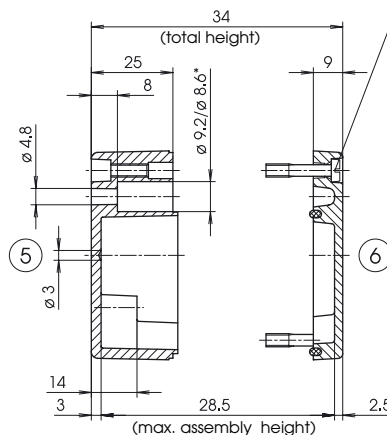
### Accessories (additional charge) Order no.

KP: Capstan-headed screws, sealable	21007915
IS: Allen head screws	21007920
TS 15: Top hat rail DIN EN 60715 TH15	21002650



base

2



Z-2401710

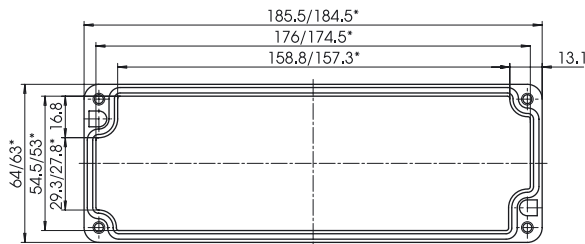
**Order designation**

Enclosures	Order no.
<b>A 106</b>	<b>01106000</b>
<b>A 106 SIL</b>	<b>01106010</b>

(SIL = lid with silicone seal)

**Accessories (additional charge)**

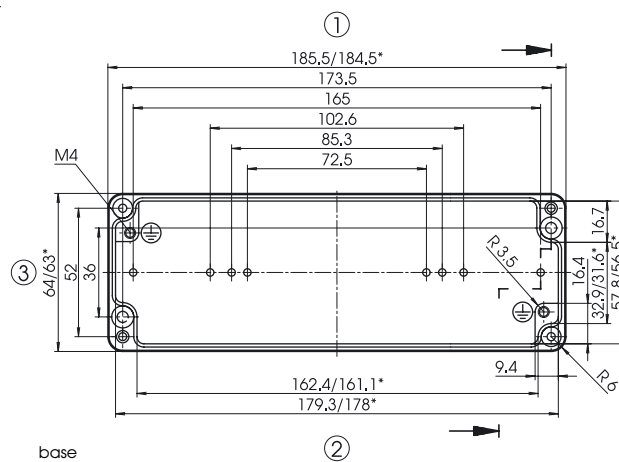
Accessories	Order no.
<b>KP:</b> Capstan-headed screws, sealable	<b>21007915</b>
<b>IS:</b> Allen head screws	<b>21007920</b>
<b>TS 15:</b> Top hat rail DIN EN 60715 TH15	<b>24003300</b>



**A 106**

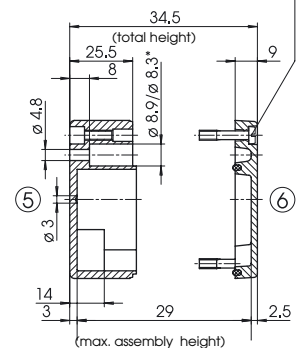
\*= Dimension reduced at bottom due to conical form.  
Tolerances to GTA 13/5 DIN 1688

lid



base

cylinder screw M4 x 20/7 similar to DIN EN ISO 1207



Z-2401715

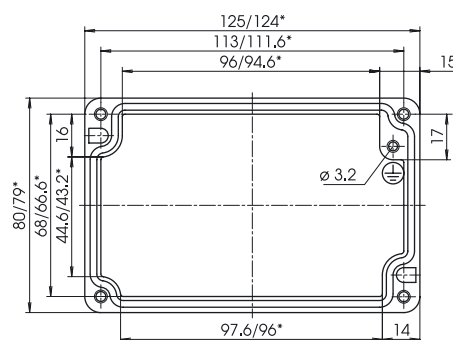
**Order designation**

Enclosures	Order no.
<b>A 110</b>	<b>01110000</b>
<b>A 110 SIL</b>	<b>01110011</b>
<b>A 110 G, 500+ pcs</b>	<b>01110500</b>

(SIL = lid with silicone seal,  
G = with transparent lid)

**Accessories (additional charge)**

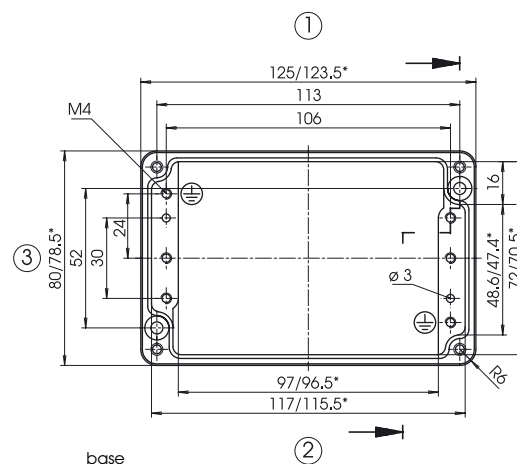
Accessories	Order no.
<b>M:</b> Mounting plate, sheet steel, galv.	<b>21001200</b>
<b>KP:</b> Capstan-headed screws, sealable	<b>21007915</b>
<b>IS:</b> Allen head screws	<b>21007920</b>
<b>TS 15:</b> Top hat rail DIN EN 60715 TH15	<b>21002900</b>
<b>TS 35:</b> Top hat rail DIN EN 60715 TH35	<b>21002920</b>



lid

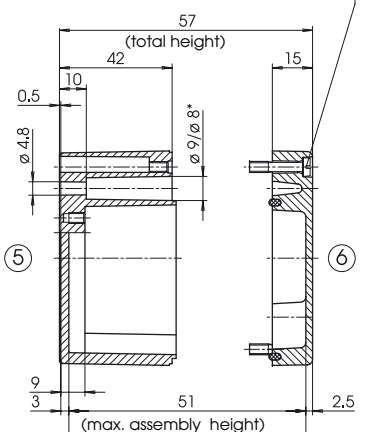
**A 110**

\*= Dimension reduced at bottom due to conical form.  
Tolerances to GTA 13/5 DIN 1688



base

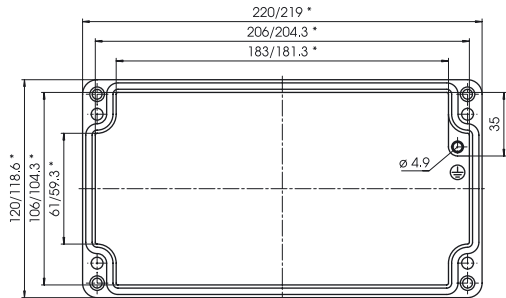
cylinder screw M4 x 20/7 similar to DIN EN ISO 1207



Z-2401716

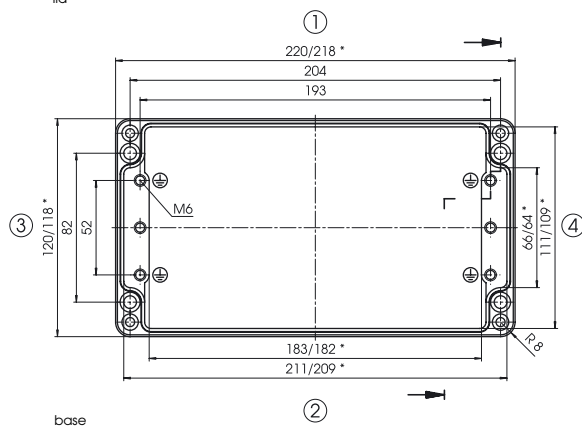
# Euromas-Aluminium

## A 122



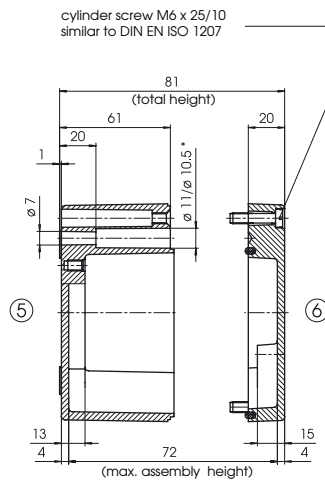
\*= Dimension reduced at bottom due to conical form.  
Tolerances to GTA 13/5 DIN 1688

lid



base

Z-2401725



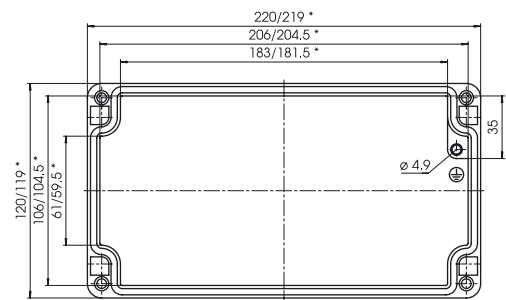
### Order designation

Enclosures	Order no.
A 122	01122000
A 122 SIL	01122010

(SIL = lid with silicone seal)

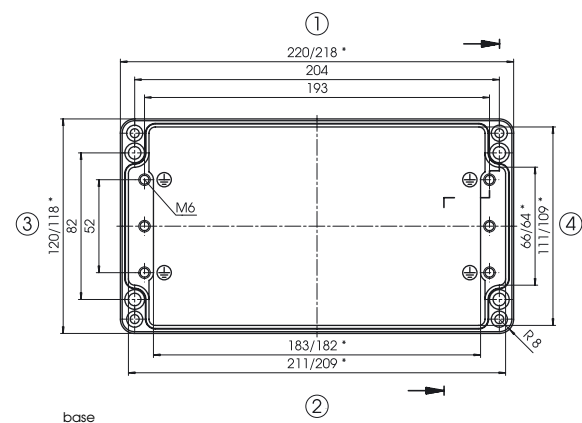
Accessories (additional charge)	Order no.
M: Mounting plate, sheet steel, galv.	21001500
KP: Capstan-headed screws, sealable	21007955
IS: Allen head screws	21007950
E: Earthing bar, mounted with clamps	21004700
WL: Set of wall brackets = 4 pcs	21004300
TS 15: Top hat rail DIN EN 60715 TH15	21003310
TS 32: G-rail DIN EN 60715 G 32	21003300
TS 35: Top hat rail DIN EN 60715 TH35	21003320

## A 123



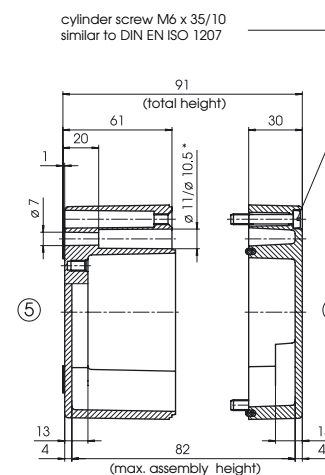
\*= Dimension reduced at bottom due to conical form.  
Tolerances to GTA 13/5 DIN 1688

lid



base

Z-2401726



### Order designation

Enclosures	Order no.
A 123	01123000
A 123 SIL	01123011

(SIL = lid with silicone seal)

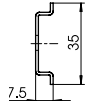
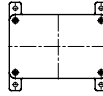
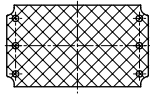
Accessories (additional charge)	Order no.
M: Mounting plate, sheet steel, galv.	21001500
KP: Capstan-headed screws, sealable	21007995
IS: Allen head screws	21007990
E: Earthing bar, mounted with clamps	21004700
WL: Set of wall brackets = 4 pcs	21004300
TS 15: Top hat rail DIN EN 60715 TH15	21003310
TS 32: G-rail DIN EN 60715 G 32	21003300
TS 35: Top hat rail DIN EN 60715 TH35	21003320



Welcome to BOPLA City!

# Euromas-Aluminium accessories

Z-2001663



Model	M	KP	IS	E	WL	TS 15	TS 32	TS 35
A 100	-	21007915	21007910	-	-	-	-	-
A 101	-	21007915	21007920	-	-	21002650	-	-
A 102	-	21007915	21007920	-	-	21002600	-	-
A 103	-	21007915	21007920	-	-	21002700	-	-
A 104	-	21007915	21007920	-	-	-	-	-
A 105	21001100	21007915	21007920	-	-	21002800	-	-
A 106	-	21007915	21007920	-	-	24003300	-	-
A 110	21001200	21007915	21007920	-	-	21002900	-	21002920
A 114	21001202	21007915	21007920	-	21004250	21002950	21002960	-
A 115	21001300	21007915	21007920	-	-	21003000	-	-
A 116	21001310	21007915	21007920	-	21004250	21003050	-	-
A 117	-	21007915	21007920	-	-	21003100	-	-
A 118	21001320	21007915	21007920	-	21004250	21003150	21003160	-
A 119	21001600	21007955	21007950	21004600	21004300	21003205	21003200	21003210
A 120	21001600	21007995	21007990	21004600	21004300	21003205	21003200	21003210
A 121	21001610	21007995	21007990	21004650	21004300	-	21003250	21003270
A 122	21001500	21007955	21007950	21004700	21004300	21003310	21003300	21003320
A 123	21001500	21007995	21007990	21004700	21004300	21003310	21003300	21003320
A 124	21001550	21007955	21007950	21005000	21004300	-	21003340	21003350
A 125	21001700	21007955	21007950	21004800	21004300	-	21003400	21003410
A 126	21001710	21007995	21007990	21004850	21004300	-	21003450	21003470
A 127	21001720	21007995	21007990	21004860	21004300	-	21003470	21003480
A 130	21001800	21007955	21007950	21004900	21004300	21003505	21003500	21003510
A 131	21001810	21007995	21007990	21004950	21004300	-	21003550	21003560
A 135	21001900	21007955	21007950	21005000	21004300	-	21003340	21003350
A 138	21002000	21007955	21007960	21005100	21004300	-	21003700	21003710
A 140	21002100	21007955	21007950	21004850	21004300	-	21003800	21003810
A 145	21002110	21007955	21007950	-	21004300	-	21003850	21003860
A 150	21002100	21007955	21007950	21004850	21004300	-	21003800	21003810
A 155	21002120	21007955	21007950	21005250	21004300	-	21003870	21003880
A 160	21002200	21007955	21007950	21005300	21004300	-	21003900	21003910
A 165	21002200	21007955	21007950	21005300	21004300	-	21003900	21003910
A 168	21002400	21007955	21007950	21005400	21004300	-	21004100	21004110
A 169	21002410	21007955	21007960	21005500	21004300	-	21004150	21004160
A 170	21002400	21007955	21007950	21005400	21004300	-	21004100	21004110
A 175	21002420	21007955	21007950	21005400	21004300	-	21004100	21004110
A 180	21002420	21007955	21007950	21005400	21004300	-	21004100	21004110
A 185	21002420	21007955	21007950	21005400	21004300	-	21004100	21004110
A 190	21002420	21007955	21007950	21005400	21004300	-	21004100	21004110
A 195	21002500	21007975	21007970	21005600	21004300	21004210	21004200	21004205
A 196	21002510	21007955	21007960	21005650	21004300	-	21004150	21004160
A 197	21002510	21007955	21007960	21005650	21004300	-	21004150	21004160
A 198	21002520	-	21008010	-	21004300	-	21004170	21004180

**M:** Mounting plate, sheet steel, galvanised  
**KP:** Capstan-headed screw, sealable, set = 2 pcs

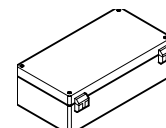
**IS:** Allen head screws  
**E:** Earthing bar, mounted with clamps  
**WL:** Set of wall brackets = 4 pcs

**TS 15:** Top hat rail DIN EN 60715 TH15  
**TS 32:** G-rail DIN EN 60715 G 32  
**TS 35:** Top hat rail DIN EN 60715 TH35

**Cabinet version:**

If you want your enclosure(s) fitted with hinges, please order separately: additional charge for fitting.

**Order designation**      **Order no.**  
**SchD:** Set of hinges diecast      **21007800**



Z-2001663

### Maximum assignment with terminal blocks

	Phoenix						Weidmüller				
	MBK 2.5	MBK 3	MBK 5	UK 3 N	UK 5 N	UK 10 N	AKZ 1.5	AKZ 2.5	AKZ 4	SAK 2.5	SAK 4
DIN-rail TS 15	X	X	X				X	X	X		
DIN-rail TS 32				X	X	X				X	X
DIN-rail TS 35				X	X	X					
Bridgeable		X	X	X	X	X	X	X	X	X	X
End angle-piece	2	2	2	2	2	2	2	2	2	2	2
Closing plates	-	1	1	1	1	1	1	1	1	1	1
Connection cross-section (mm <sup>2</sup> ) fine-strand	1.5	2.5	4	2.5	4	10	1.5	2.5	4	2.5	4
Connection cross-section (mm <sup>2</sup> ) single wire	2.5	4	4	4	6	16	2.5	4	6	4	10
Nominal voltage (V)	500	500	500	750	750	800	400	250	500	800	800
Rating (A)	26	32	34	34	34	76	17.5	24	32	24	32
Terminal width (mm)	5.2	5.2	6.2	5.2	6.2	10.2	5	5	6	6	6.5

Model	Number per DIN-rail			Number per DIN-rail			
A 100				1 x MK3/4 terminal block			
A 101	4			1 x BK4 terminal block			
A 102	11			1 x BK6 terminal block			
A 103	20			1 x BK12 terminal block			
A 104	14			1 x BK12 terminal block			
A 105	6	6	6	6	6	4	
A 106	24	24		1 x BK12 terminal block			
A 110	16	16	12	15	15	12	
A 114	30	30	25	30	30	25	
A 115	26	26	22	25	25	20	
A 116	11	11	9	10	10	8	
A 117	40	40	34	40	40	33	
A 118	22	22	18	22	22	18	
A 119			12	10	6	10	9
A 120			12	10	6	10	9
A 121			15	13	8	13	12
A 122			31	26	15	26	24
A 123			31	26	15	26	24
A 124			58	48	29	50	46
A 125			19	16	9	16	15
A 126			27	22	13	23	21
A 127			23	19	11	20	18
A 130			38	32	19	33	30
A 131			42	35	21	36	33
A 135			57	48	29	50	46
A 138			96	80	49	83	77
A 140			27	22	13	23	21
A 145			32	27	16	28	26
A 150			27	22	13	23	21
A 155			42	35	21	36	34
A 160			52	43	26	45	41
A 165			52	43	26	45	41
A 168			65	55	33	56	52
A 169			103	87	53	90	83
A 170			65	55	33	56	52
A 175			65	55	33	56	52
A 180			65	55	33	56	52
A 185			65	55	33	56	52
A 190			65	55	33	56	52
A 195			69	58	35	60	55
A 196			103	87	53	90	83
A 197			103	87	53	90	83
A 198			103	87	53	90	83