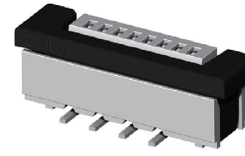


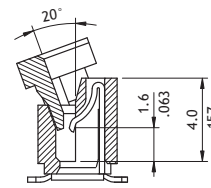
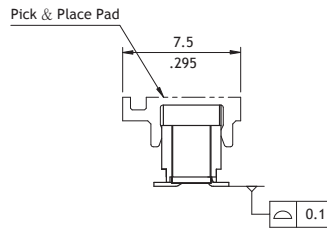
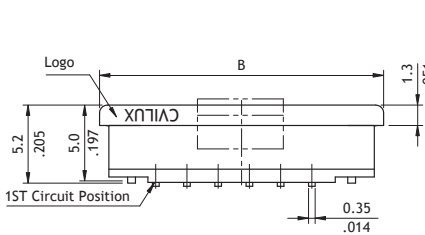
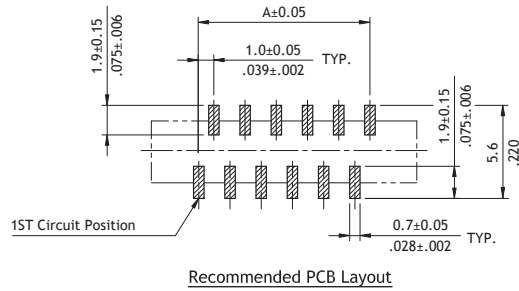
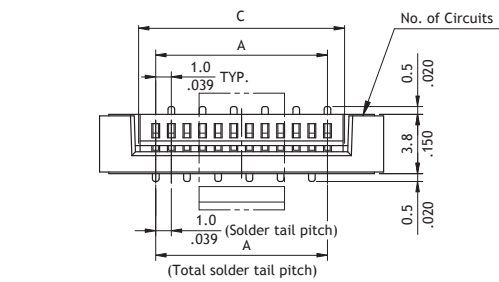
CF10 Series 1.00mm(.039")H=5.20 SMT ZIF FFC/FPC Connectors

- ⊙ Insulator: High temperature plastic UL 94V-0, Color Nature
- ⊙ Slider: High temperature plastic UL 94V-0, Color Black

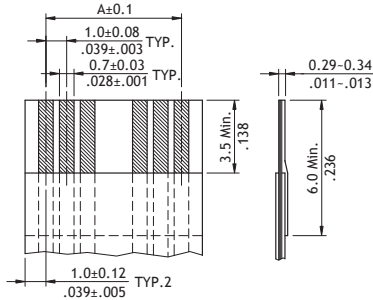


RoHS Compliant

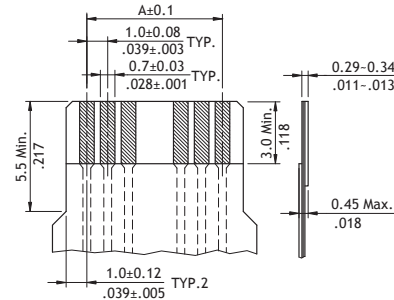
P/N CF10**1M0*0-NH



A = 1.0 x No. of Spaces
 B = A + 7.2
 C = A + 2.1



Accommodated FFC



Accommodated FPC

Ordering Code

① CF 10 ② 32 ③ 1 ④ V ⑤ 0 ⑥ T ⑦ 0 - ⑧ NH

- ① Series No.
- ② No. of Circuits: 04 to 32
- ③ Plating Code:
1 = Matte Tin over Nickel

- ④ Contact Style:
U = Upside Contact (DIP)
D = Downside Contact (DIP)
V = Vertical Type (DIP)
M = Top entry Type (SMT)
- ⑤ Color: 0 = Nature
- ⑥ Packing: R = Tape & Reel
T = Tube

- ⑦ Other Options: 0 = Standard
*Special options consult manufacturer
- ⑧ Process: -LF = For Lead Free IR process
-NH = For Lead Free IR process and Halogen-Free