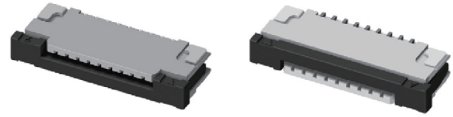
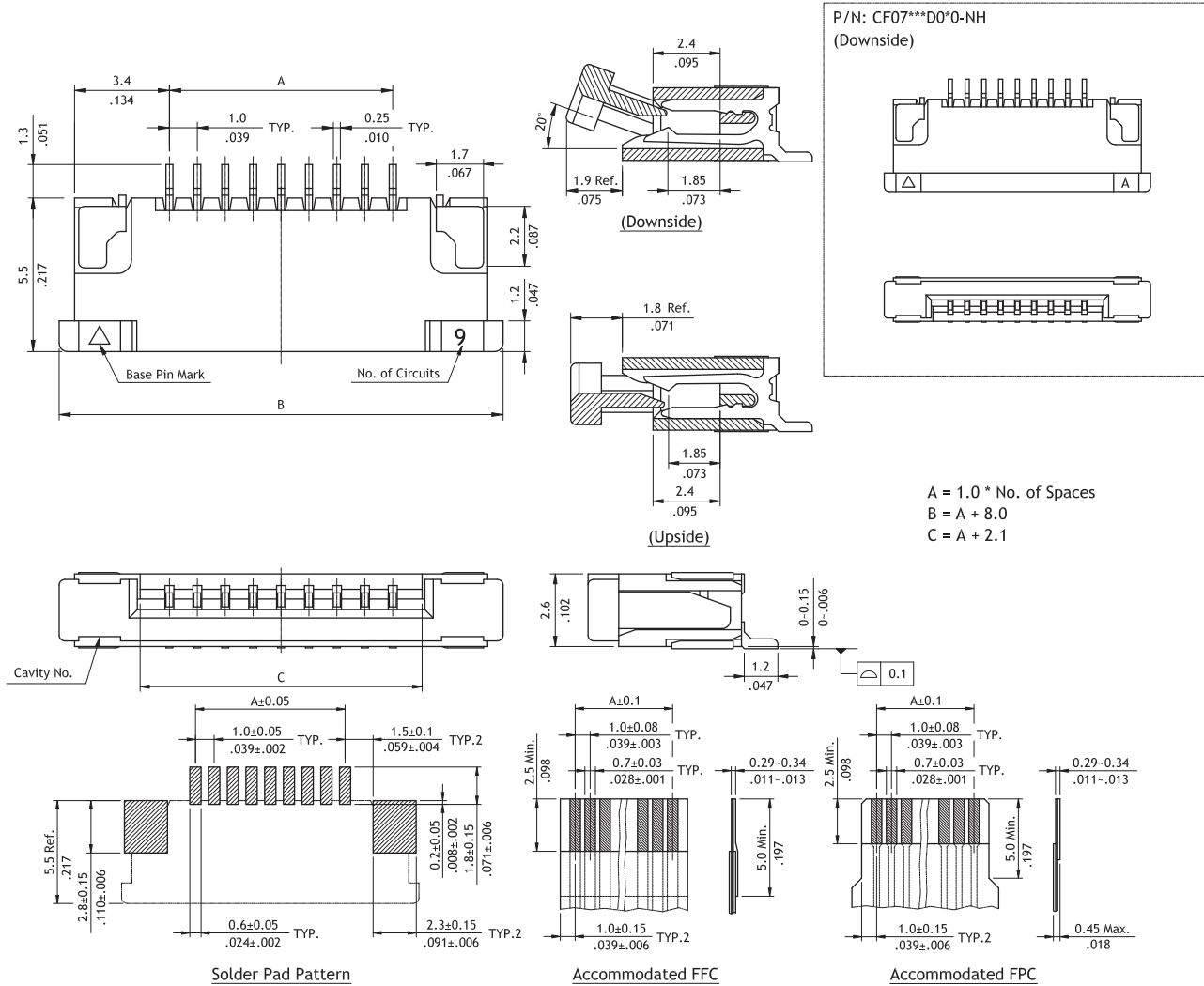


CF07 Series 1.00mm(.039")H=2.60 SMT ZIF FFC/FPC Connectors

- ⊙ Insulator: High temperature plastic UL 94V-0, Color Nature
- ⊙ Slider: High temperature plastic UL 94V-0, Color Black
- ⊙ With metal fixed tabs to secure connector in place



RoHS Compliant



Ordering Code

① ② ③ ④ ⑤ ⑥ ⑦ ⑧
CF07 32 1 U 0 R 0 - NH

- ① Series No.
- ② No. of Circuits: 04 to 32
- ③ Plating Code:
1 = Matte Tin over Nickel
- ④ Contact Style:
U = Upside Contact
D = Downside Contact
- ⑤ Color: 0 = Nature
- ⑥ Packing: R = Tape & Reel
T = Tube
- ⑦ Other Options:
0 = Standard
*Special options consult manufacturer
- ⑧ Process: -NH = For Lead Free IR process and Halogen-Free