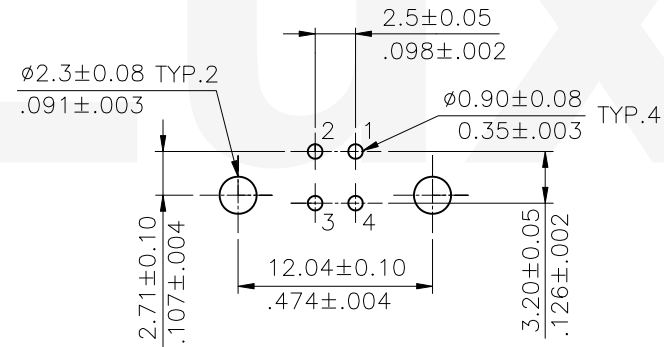
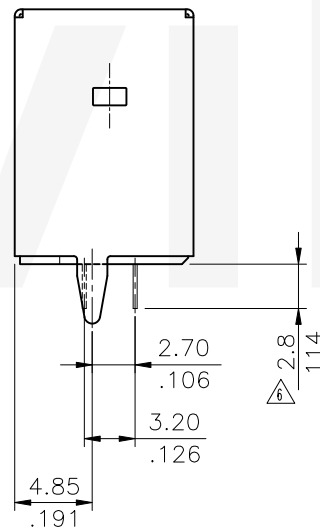
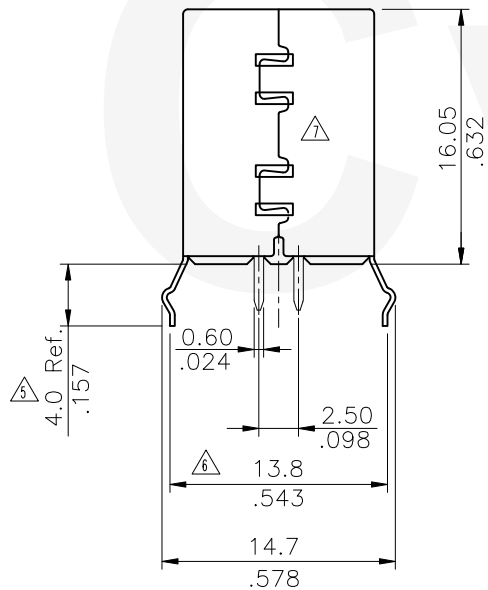


* Materials:
 Insulator: Glass filled polyester UL 94V-0
 Contact: Phosphor Bronze
 Shell: Brass with Nickel plated

Ordering Code:

CU02 S A V 1 000
 ① ② ③ ④ ⑤ ⑥


- ① Series No.
- ② S= Socket
- ③ Plating option:
 A= Selective Gold flash plated over 1.27μm(50μ") Nickel
 C= Selective 0.76μm(30μ") Gold plated over 1.27μm(50μ") Nickel
- ④ Type: V= Straight
- ⑤ Insulator Color: 1= Black, 0= White
- ⑥ Option: 000= Standard



Recommended P.C. Board Layout

Lead Free Process

RoHS Compliant

⑦	Yushu	3/28-19'	ECRB118084/ECNT119079		DATE	UNIT: mm / inch	TITLE: USB TYPE-B STRAIGHT RECEPTACLE CONNECTOR	 瀚荃股份有限公司 CviLux Corporation	
⑥	Karen	1/17-09'	ECN09029	DRAWN BY: Yushu	3/28-19'	TOLERANCE UNLESS OTHERWISE SPECIFIED	MATERIAL:		
⑤	Sun	11/26-07	ECR07090-1/ECN07486	ENGINEER: Sun	3/28-19'	.X ± 0.30/.012 X' ± 1'	FINISH:	DRAWING NO. CU0205SJ	PART NO. CU02S*V*000
④	Sandy	3/23-07'	ECN07109	CHECKED BY: Eisley	4/03-19'	.XX ± 0.20/.008 .X' ±		SCALE 2 / 1	SHEET 1 OF 1
SYM	NAME	DATE	REVISIONS	APPROVED BY: Eisley	4/03-19'	.XXX ± 0.10/.004 .XX' ±			

