

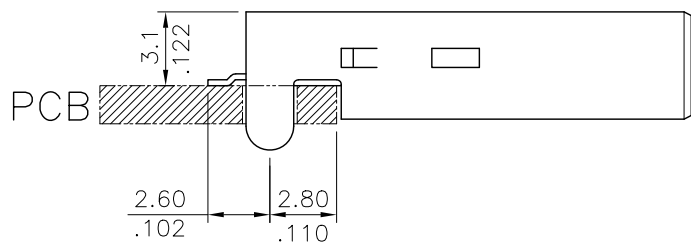
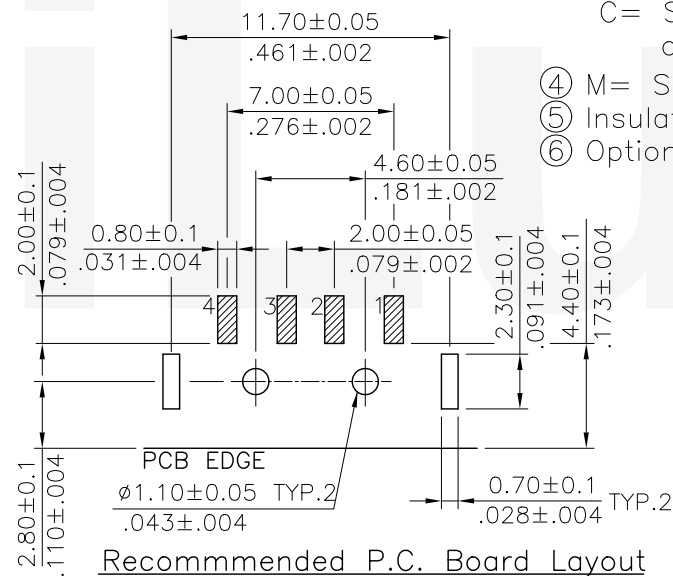
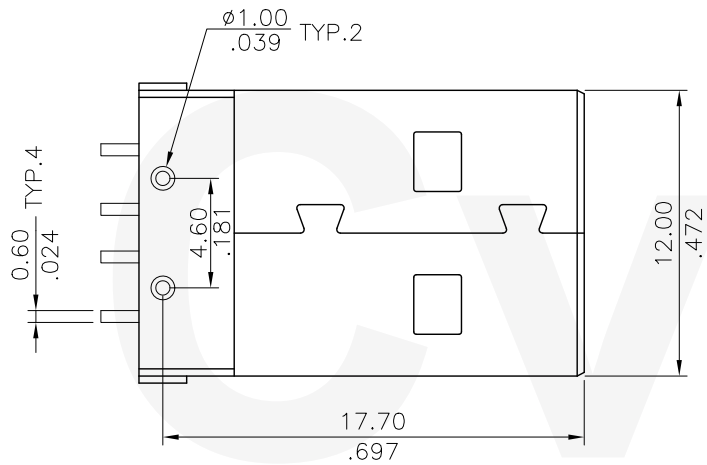
Materials & Finish:

Insulator: Glass filled Nylon 9T UL 94V-0
 Contacts: Brass
 Shell: Steel
 Shell plating: 50μ" Nickel over 100μ" Cu

Ordering Code:

CU01 P A M 1 0*0
 ① ② ③ ④ ⑤ ⑥

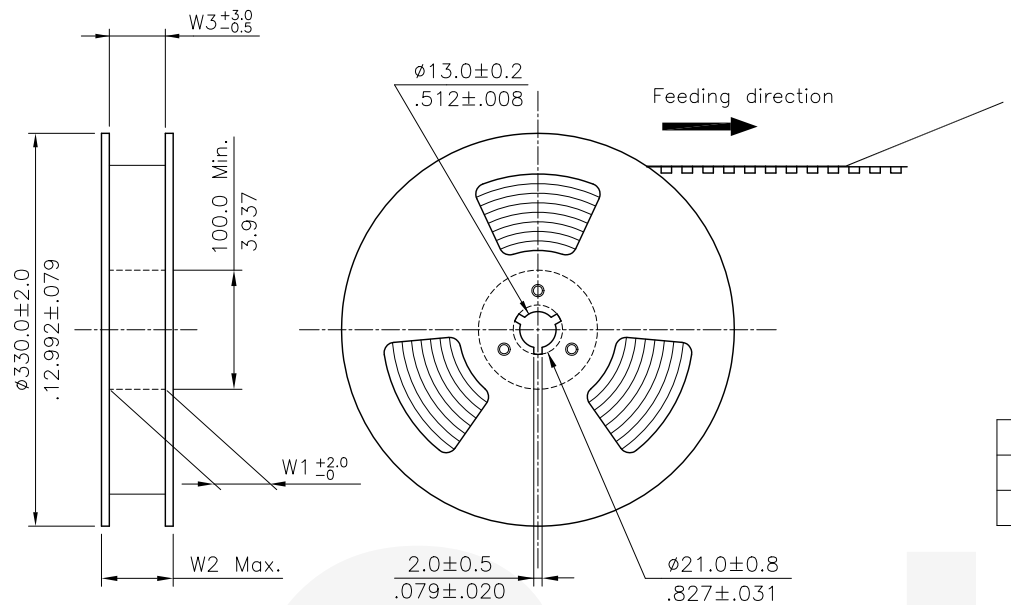
- ① Series No.
- ② P= Plug
- ③ Plating option:
 A= Selective Gold flash plated over 1.27μ(50μ") Nickel
 C= Selective 0.76μ(30μ") Gold plated over 1.27μ(50μ") Nickel
- ④ M= SMT Type
- ⑤ Insulator Color: 1= Black, 0= White
- ⑥ Option: 000= Tube Packing (Standard)
 0R0= Tape & Reel Packing



Lead Free Process
 RoHS Compliant

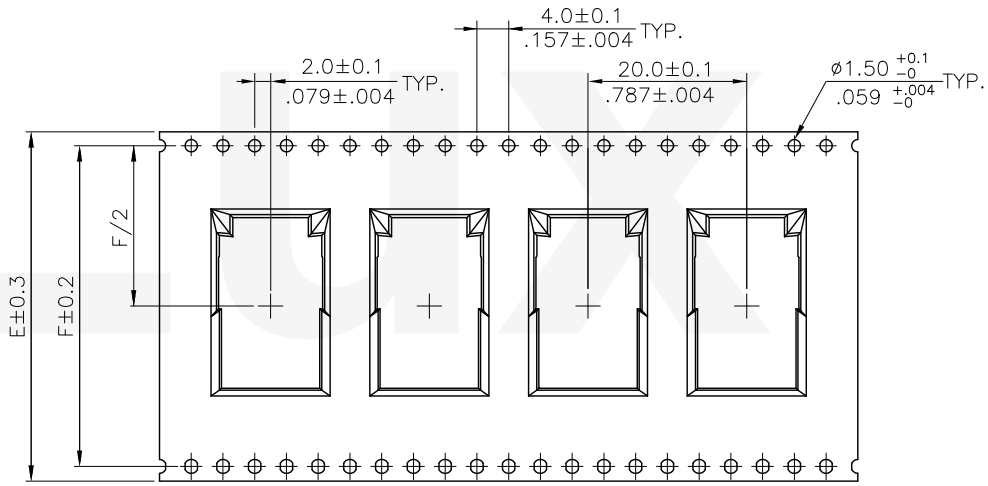
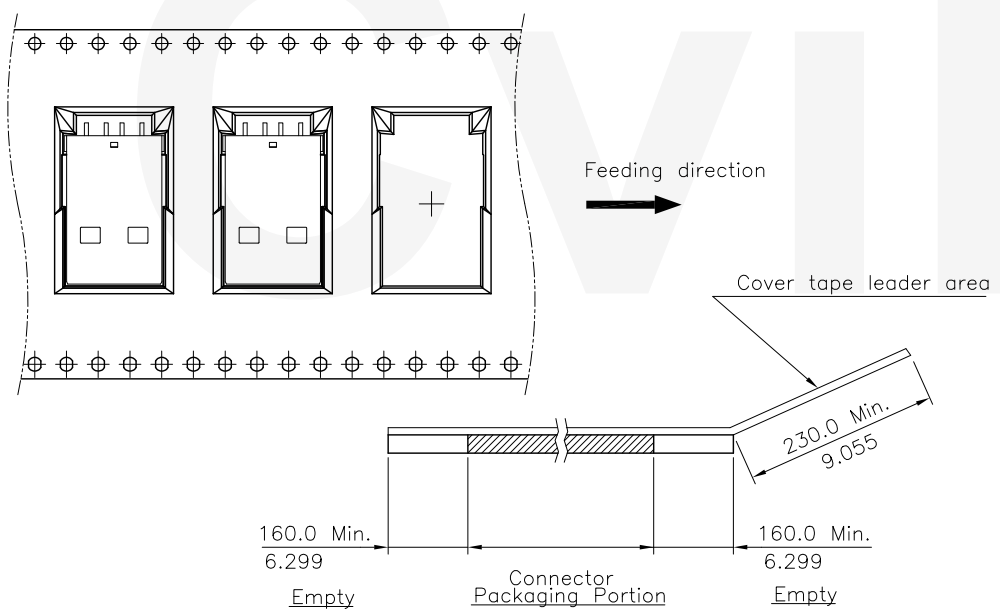
⑦	Sun	8/12-11'	ECR11040-1/ECN11179		DATE	UNIT: mm / inch	TITLE: USB TYPE A SMT TYPE BOARD MOUNT PLUG	瀚荃股份有限公司 CviLux Corporation				
⑥	Karen	11/20-10'	ECN10374	DRAWN BY: Sun	8/12-11'	TOLERANCE UNLESS OTHERWISE SPECIFIED	MATERIAL:				DRAWING NO.	CU0108SI
⑤	Sandy	4/29-07'	ECN07153	ENGINEER: Easley	8/16-11'	.X ± 0.30/.012 X' ± r'	FINISH:	SCALE	3 / 1	SHEET	1 OF 2	
④	Hank	11/8/06'	ECN06412	CHECKED BY: Easley	8/16-11'	.XX ± 0.20/.008 .X' ±						
SYM	NAME	DATE	REVISIONS	APPROVED BY: David	8/16-11'	.XXX ± 0.10/.004 .XX' ±						

CVILUX CORP
 2011.08.17
 ISSUED



- NOTE :
- * Reel Material : Corrugated Paper
 - * Carrier Material : Black, Conductive Polystyrene Alloy
 - * Cover Tape Material : Polyester
 - * Cover Tape Peel Strength : 0.1N – 1.3N
 - * Carrier camber is within 1mm in 250mm
 - * All dimensions meet EIA-481-B requirements.
 - * Quantity : 500 PCS/Reel

Dimension					Packing (Reel/Caton)
E	F	W1	W2	W3	
44.0(1.732)	40.40(1.596)	44.5(1.752)	50.5(1.988)	44.5(1.752)	5



WIDTH : 44 mm Carrier

RoHS Compliant

SYM	NAME	DATE	REVISIONS	APPROVED BY:	DATE	UNIT: mm / inch	TITLE: USB TYPE A SMT TYPE BOARD MOUNT PLUG	MATERIAL:	FINISH:	DRAWING NO.	CU0108SI	PART NO.	CU01P**M*0*0	SCALE	SHEET	2	OF	2
7	Sun	8/12-11'	ECR11040-1/ECN11179		DATE	UNIT: mm / inch	TITLE: USB TYPE A SMT TYPE BOARD MOUNT PLUG	MATERIAL:	FINISH:	DRAWING NO.	CU0108SI	PART NO.	CU01P**M*0*0	SCALE	SHEET	2	OF	2
6	Karen	11/20-10'	ECN10374	DRAWN BY:	Sun	8/12-11'	TOLERANCE UNLESS OTHERWISE SPECIFIED											
5	Sandy	4/29-07'	ECN07153	ENGINEER:	Eisley	8/16-11'	.X ±	X' ± 1'										
4	Hank	11/8/06'	ECN06412	CHECKED BY:	Eisley	8/16-11'	.XX ±	.X' ±										
				APPROVED BY:	David	8/16-11'	.XXX ±	.XX' ±										

CIVILUX CORP
2011.08.17
ISSUED

瀚荃股份有限公司
CviLux Corporation