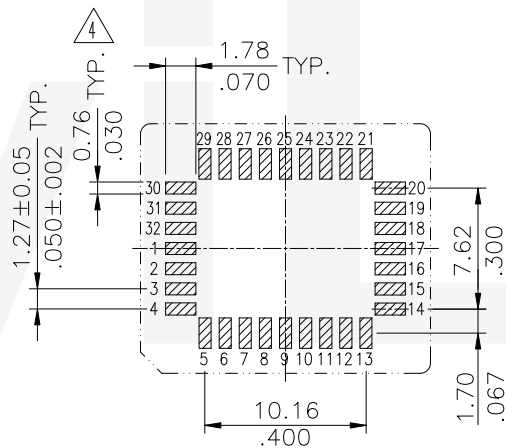
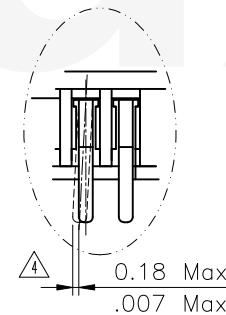


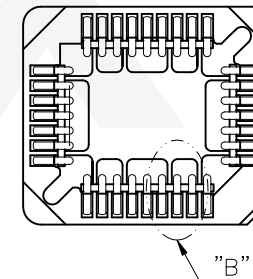
Detail "a"



Solder Pad Pattern



Detail "B"



Back View

Note:

* Material:

△ Insulation: PPS UL 94V-0, Color Brown

Contact: Phosphor Bronze

△ * Resistance to soldering heat:

Time of Peak Temp: 3~5 second

Peak Temp.: 245±5°C

Ordering Code

CS22 32 1 0 000
 ① ② ③ ④ ⑤

① Series No.

② Circuits:

△ △ ③ Plating Code :

1= 2.28μm(90μ") Min. Tin over

0.76μm(30μ") Min. Nickel

△ ④ Color : 0= Brown (Nature)

⑤ Option : 000= Standard

CVILUX CORP
 2018.05.24
 ISSUED

RoHS Compliant

△5	Sun	5/14-18'	ECNT118105/ECRT118017			DATE	UNIT: mm / inch	TITLE: 1.27MM(.050")	瀚荃股份有限公司 CviLux Corporation
△4	Karen	5/31-16'	ECNT115285/ECRT115102/ECNT116104/ECRT116047	DRAWN BY:	Sun	5/15-18'	TOLERANCE UNLESS OTHERWISE SPECIFIED	PLCC LOW PROFILE SMD TYPE	
△3	Jim	9/1/06'	ECR06078-0/ECN06314	ENGINEER:	Sun	5/15-18'	.X ± 0.25/.010 X' ± 1'	MATERIAL:	DRAWING NO. CS2202SK PART NO. CS223210000
△2	SUN	5/24/05'	ECN04180	CHECKED BY:	Eisley	5/18-18'	.XX ± 0.15/.006 X' ±	FINISH:	SCALE 2/1 SHEET 1 OF 1
SYM	NAME	DATE	REVISIONS	APPROVED BY:	Eisley	5/18-18'	.XXX ± 0.08/.003 X' ±		