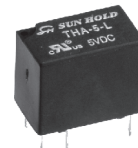
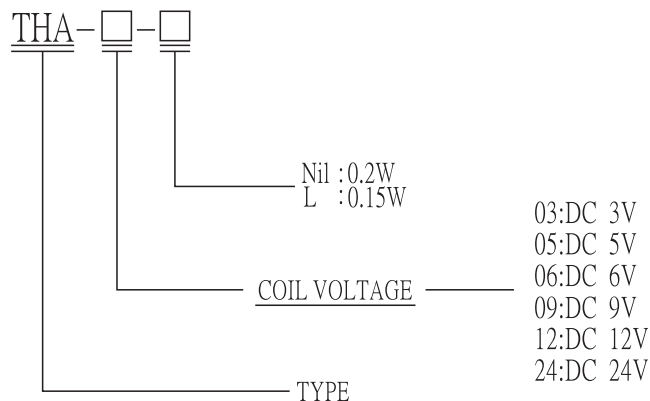


# THA SERIES

## ORDERING INFORMATION



## FEATURES:

- Ultra small size (12.50 x7.50 x10.00), single pole Relay.
- High sensitive (150mw) type & Standard (200mw) type.
- Plastic sealed type.
- DIL pitch terminal.
- RoHS 2011/65/EU compliant

## COIL RATING(at 20°C)

NOMINAL VOLTAGE (VDC)	COIL RESISTANCE (Ω)(±10%)	POWER CONSUMPTION(W)	NOMINAL CURRENT (mA)(±10%)	PULL IN VOLTAGE (VDC)	DROP OUT VOLTAGE (VDC)	MAX.ALLOWABLE VOLTAGE (VDC)
3V	45Ω	0.2W	66.7mA	75%	10% MIN.	130%
5V	125Ω		40.0mA			
6V	180Ω		33.3mA			
9V	405Ω		22.2mA			
12V	720Ω		16.7mA			
24V	2880Ω		8.3mA			

	NOMINAL VOLTAGE (VDC)	COIL RESISTANCE (Ω)(±10%)	POWER CONSUMPTION(W)	NOMINAL CURRENT (mA)(±10%)	PULL IN VOLTAGE (VDC)	DROP OUT VOLTAGE (VDC)	MAX.ALLOWABLE VOLTAGE (VDC)
L	3V	60Ω	0.15W	50.0mA	75%	10% MIN.	130%
	5V	167Ω		30.0mA			
	6V	240Ω		25.0mA			
	9V	540Ω		16.7mA			
	12V	960Ω		12.5mA			
	24V	3840Ω		6.3mA			

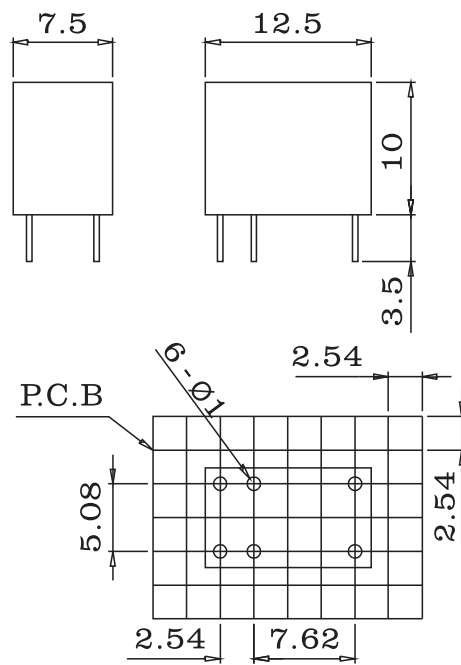
## PERFORMANCE (at initial value)

Item	Type	1A
Contact Resistance		100mΩ Max. (Initial value)
Operate Time		5msec Max.
Release Time		5msec Max.
Dielectric Strength between coil& contact between contact		AC1000V (1min) AC500V (1min)
Insulation Resistance		100MΩ Min.(DC500V)
Operating Ambient Temperature		-40°C~70°C
Humidity		35 to 85% RH
Vibration Resistance		10G (10~55Hz)(Dual amplitude:1.5mm)
Shock Resistance		10G
Life Expectancy Mechanically Electrically		10,000,000 ops. Min. (1800 ops./h) 100,000 ops. Min. (1200 ops./h)
Weight		1.8g(approx.)

CONTACT RATING

Item \ Type	1A
Rated Carrying Current	AC125V 0.5A DC60V 0.3A DC30V 1A
Max. Allowable Current	1A
Max. Allowable Voltage	AC 125V DC60V
Max. Current(continual)	1A
Min. Load	DC5V 10mA
Contact Material	Ag alloy

DIMENSIONS(Unit:mm)



PCB LAYOUT

WIRING DIAGRAMS(Bottom View)

