

215083-6 ✓ ACTIVE

Micro-MaTch | Micro-MaTch Industrial

TE Internal #: 215083-6

TE Internal Description: MICRO-MATCH MOW.06P

MALE-ON-WIRE CONNECTOR

[View on TE.com >](#)



[Connectors](#) > [PCB Connectors](#) > [Wire-to-Board Connectors](#) > [FFC, FPC & Ribbon Connectors](#) > [Ribbon Cable Connectors](#) >

MALE-ON-WIRE CONNECTOR



Connector System: **Wire-to-Board**

Number of Positions: **6**

Centerline (Pitch): **1.27 mm [ .05 in ]**

PCB Mount Retention: **Without**

PCB Mount Retention Type: **Kinked Solder Tails**

[All MALE-ON-WIRE CONNECTOR \(20\)](#)

## Features

### Product Type Features

Header Type	Shrouded
Connector System	Wire-to-Board
Connector & Housing Type	Plug
Connector & Contact Terminates To	Wire & Cable

### Configuration Features

Number of Positions	6
PCB Mount Orientation	Vertical

### Electrical Characteristics

Operating Voltage	100 VDC
-------------------	---------

### Body Features

Connector Profile	Standard
-------------------	----------

### Contact Features

Contact Type	Pin
Contact Mating Area Plating Material Thickness	3 – 5 $\mu$ m[118.11 – 196.85 $\mu$ in]
Contact Mating Area Plating Material	Tin
Contact Underplating Material	Nickel

PCB Contact Termination Area Plating Material	Tin
Contact Base Material	Phosphor Bronze
Contact Current Rating (Max)	1.5 A

#### Termination Features

Termination Method to Wire & Cable	Insulation Displacement Crimp (IDC)
------------------------------------	-------------------------------------

#### Mechanical Attachment

Mating Alignment	Without
PCB Mount Alignment	Without
Panel Mount Feature	Without
PCB Mount Retention	Without
PCB Mount Retention Type	Kinked Solder Tails
Mating Alignment Type	Polarization
Mating Retention	Without

#### Housing Features

Housing Material	Polyester - GF
Housing Color	Red
Centerline (Pitch)	1.27 mm[.05 in]

#### Dimensions

Connector Height	6.8 mm[.27 in]
Accepts Wire Insulation Diameter Range	.8 – 1 mm[.035 – .039 in]
Wire Size	.08 – .09 mm <sup>2</sup>
Row-to-Row Spacing	1.5 mm

#### Usage Conditions

Operating Temperature Range	-40 – 105 °C
-----------------------------	--------------

#### Operation/Application

Circuit Application	Signal
---------------------	--------

#### Industry Standards

UL Flammability Rating	UL 94V-0
------------------------	----------

#### Packaging Features

Packaging Quantity	2500
Packaging Method	Reel

## Product Compliance





[For compliance documentation, visit the product page on TE.com>](#)

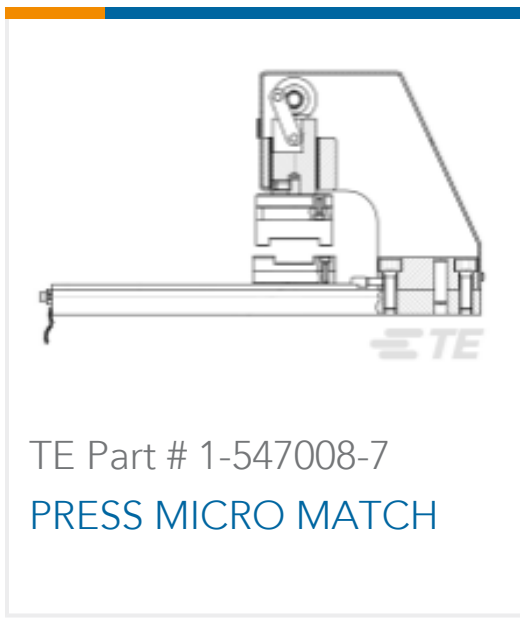
EU RoHS Directive 2011/65/EU	Compliant
EU ELV Directive 2000/53/EC	Compliant
China RoHS 2 Directive MIIT Order No 32, 2016	No Restricted Materials Above Threshold
EU REACH Regulation (EC) No. 1907/2006	Current ECHA Candidate List: JUL 2019 (201) Candidate List Declared Against: JUL 2019 (201) Does not contain REACH SVHC
EU REACH Regulation (EC) No. 1907/2006	Current ECHA Candidate List: JUL 2019 (201) Candidate List Declared Against: JUL 2019 (201)
Halogen Content	Not Low Halogen - contains Br or Cl > 900 ppm.
Solder Process Capability	Not applicable for solder process capability

### Product Compliance Disclaimer

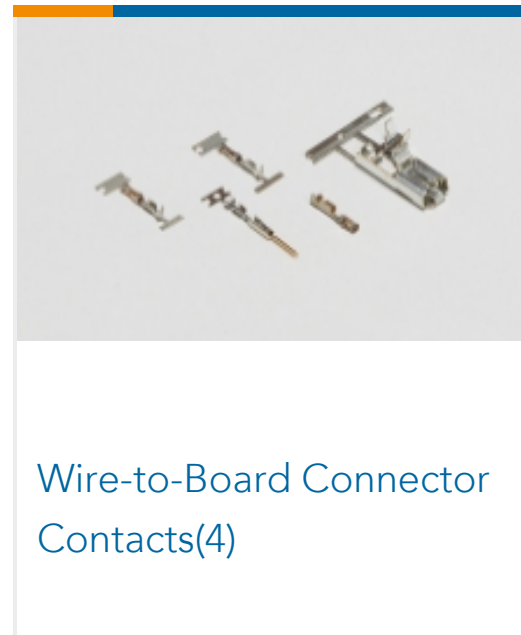
This information is provided based on reasonable inquiry of our suppliers and represents our current actual knowledge based on the information they provided. This information is subject to change. The part numbers that TE has identified as EU RoHS compliant have a maximum concentration of 0.1% by weight in homogenous materials for lead, hexavalent chromium, mercury, PBB, PBDE, DBP, BBP, DEHP, DIBP, and 0.01% for cadmium, or qualify for an exemption to these limits as defined in the Annexes of Directive 2011/65/EU (RoHS2). Finished electrical and electronic equipment products will be CE marked as required by Directive 2011/65/EU. Components may not be CE marked. Additionally, the part numbers that TE has identified as EU ELV compliant have a maximum concentration of 0.1% by weight in homogenous materials for lead, hexavalent chromium, and mercury, and 0.01% for cadmium, or qualify for an exemption to these limits as defined in the Annexes of Directive 2000/53/EC (ELV). Regarding the REACH Regulations, TE's information on SVHC in articles for this part number is still based on the European Chemical Agency (ECHA) 'Guidance on requirements for substances in articles' (Version: 2, April 2011), applying the 0.1% weight on weight concentration threshold at the finished product level. TE is aware of the European Court of Justice ruling of September 10th, 2015 also known as O5A (Once An Article Always An Article) stating that, in case of 'complex object', the threshold for a SVHC must be applied to both the product as a whole and simultaneously to each of the articles forming part of its composition. TE has evaluated this ruling based on the new ECHA "Guidance on requirements for substances in articles" (June 2017, version 4.0) and will be updating its statements accordingly.

## Compatible Parts

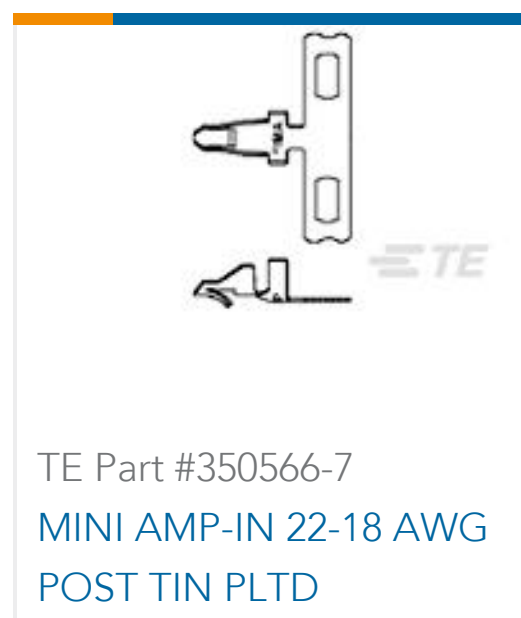
 <p>TE Part # CAT-M5833-F3492A FEMALE-ON-BOARD CONNECTOR TOP ENTRY</p>	 <p>TE Part # CAT-M5833-F3492 FEMALE-ON-BOARD CONNECTOR SIDE ENTRY</p>	 <p>TE Part # CAT-M5833-F3491 FEMALE-IN-BOARD CONNECTOR</p>	 <p>TE Part # 167019-6 06P. RIBBCBL 28AWG P1. 27</p>
---	--	--	---



### Also in the Series | Micro-MaTch Industrial



### Customers Also Bought



### Documents

[Product Drawings](#)  
MICRO-MATCH MOW.06P

English

### CAD Files

[3D PDF](#)

[3D](#)



Customer View Model

[ENG\\_CVM\\_CVM\\_215083-6\\_U.2d\\_dxf.zip](#)

English

Customer View Model

[ENG\\_CVM\\_CVM\\_215083-6\\_U.3d\\_igs.zip](#)

English

Customer View Model

[ENG\\_CVM\\_CVM\\_215083-6\\_U.3d\\_stp.zip](#)

English

---

**Datasheets & Catalog Pages**

[Micro-MaTch Catalog](#)

English

[Ribbon Cable Interconnect Solutions](#)

English

[Centerline Micro-Match Connector Series](#)

English

---

**Product Specifications**

[Application Specification](#)

English

[micro match miniature connector system](#)

English

---

**Product Environmental Compliance**

[TE Material Declaration](#)

English

---

**Agency Approvals**

[UL Report](#)

English