

JBC C245138 Cartridge Cutter 12

Special cartridge designed for cutting plastics and rubber.

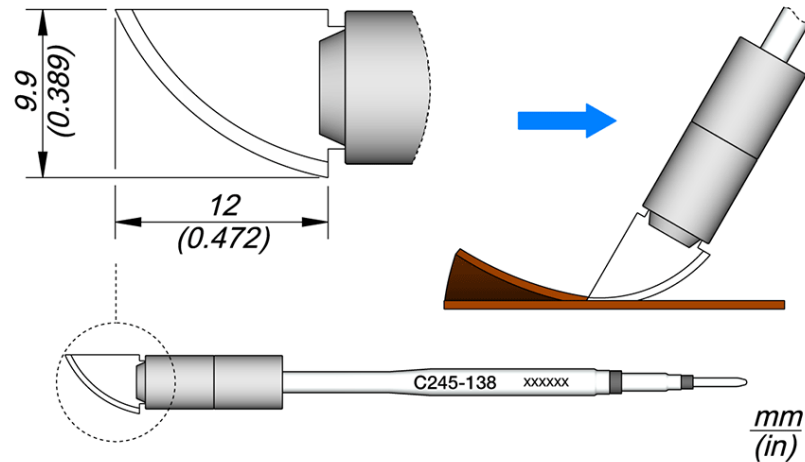
C245 cartridge range is the widest one of JBC with many shapes, sizes and special models.

They work with T245 Handpieces.

JBC Long Life Tips offer instant heat up, excellent heat transfer and great durability.

They last 5 times longer than other brands thanks to the JBC Most Efficient Soldering System and the Sleep & Hibernation features.

CARTRIDGE FOR RUBBER AND PLASTIC CUTTING



SPECIFICATIONS

Package weight	23 gr (0.05 lb)
Net weight	0,02 kg (0.04lb)
Package dimensions	110 x 12 x 12 mm 4.33 x 0.47 x 0.47 in
	16 gr (0.04 lb)

CONNECTABLES

Compatible tools

General Purpose
Handle
T245-A



Blue General
Handle
T245-PA



Nitrogen Handle
T245-NA

