

JBC C245773 Cartridge Chisel 0.8 x 0.3

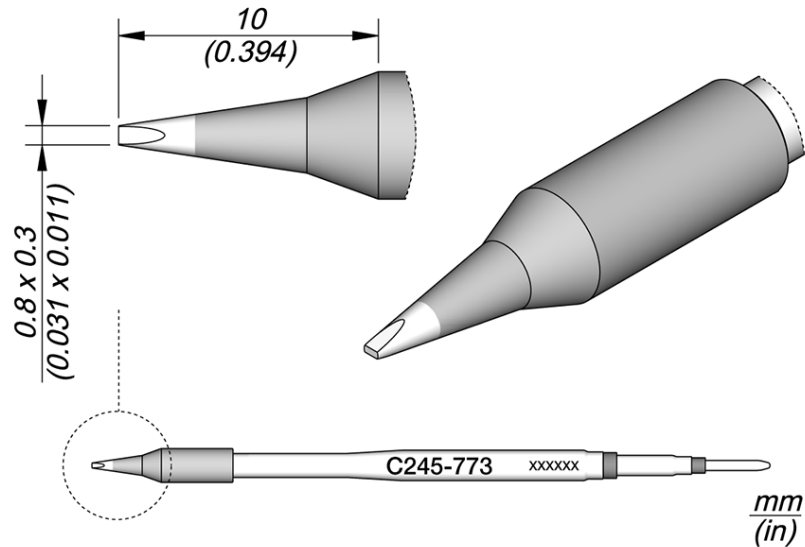
This is the slender model of the C245742 cartridge.

High thermal cartridges are characterised by their optimized tip geometries which achieve thermal efficiencies of up to 40%.

C245 Cartridges are appropriate for general soldering purposes and work with T245 Handpieces.

JBC Long Life Tips offer instant heat up, excellent heat transfer and great durability.

They last 5 times longer than other brands thanks to the JBC Most Efficient Soldering System and the Sleep & Hibernation features.



SPECIFICATIONS

Net weight	0,007 kg (0.02lb)
Package weight	20 gr (0.04 lb)
Package dimensions	110 x 12 x 12 mm 4.33 x 0.47 x 0.47 in
	7 gr (0.02 lb)

CONNECTABLES

Compatible tools

General Purpose
Handle
T245-A



Blue General
Handle
T245-PA



Nitrogen Handle
T245-NA

