

JBC C245710 Cartridge Bevel Ø 1.2

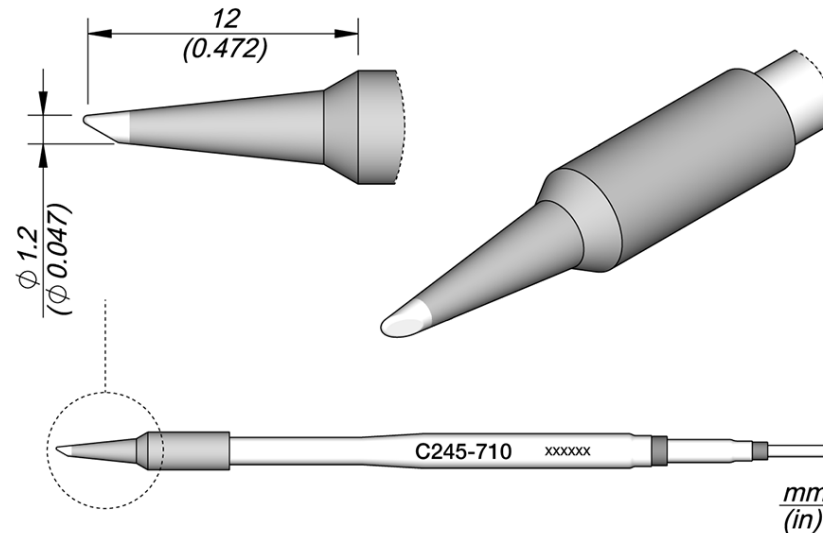
C245 cartridge range is the widest one of JBC with many shapes, sizes and special models.

They are appropriate for general soldering purposes and they are perfect for both SMD components or for applications with high power requirements such as ground plane soldering.

They work with T245 Handpieces.

JBC Long Life Tips offer instant heat up, excellent heat transfer and great durability.

They last 5 times longer than other brands thanks to the JBC Most Efficient Soldering System and the Sleep & Hibernation features.



SPECIFICATIONS

Net weight	0,008 kg (0.02lb)
Package weight	20 gr (0.04 lb)
Package dimensions	110 x 12 x 12 mm 4.33 x 0.47 x 0.47 in
	7 gr (0.02 lb)

CONNECTABLES

Compatible tools

General Purpose
Handle
T245-A



Blue General
Handle
T245-PA



Nitrogen Handle
T245-NA

