

1-215083-0 ✓ ACTIVE

Micro-MaTch | Micro-MaTch Industrial

TE Internal #: 1-215083-0

TE Internal Description: MICRO-MATCH MOW.10P

MALE-ON-WIRE CONNECTOR

[View on TE.com >](#)



[Connectors](#) > [PCB Connectors](#) > [Wire-to-Board Connectors](#) > [FFC, FPC & Ribbon Connectors](#) > [Ribbon Cable Connectors](#) >

MALE-ON-WIRE CONNECTOR



Connector System: **Cable-to-Board**

Number of Positions: **10**

Centerline (Pitch): **1.27 mm [.05 in]**

Termination Method to Wire & Cable: **Insulation Displacement Crimp (IDC)**

Row-to-Row Spacing: **1.5 mm**

[All MALE-ON-WIRE CONNECTOR \(20\)](#)

Features

Product Type Features

Type of Connector	Male-On-Wire
Product Type	Connector
Connector Type	Connector Assembly
Wire/Cable Type	Ribbon Cable
Header Type	Shrouded
Connector System	Cable-to-Board
Connector & Housing Type	Plug
Connector & Contact Terminates To	Wire & Cable

Configuration Features

Ejection Latches	Without
Number of Positions	10

Electrical Characteristics

Insulation Resistance	1000 M Ω
Operating Voltage	100 VDC

Body Features

Daisy Chain	Without
-------------	---------

Connector Profile Standard

Contact Features

Contact Design	Press-Fit
Contact Termination Area Plating Material	Tin
Contact Termination Area Plating Thickness	3 – 5 μm [118.11 – 196.85 μin]
Contact Type	Pin
Contact Mating Area Plating Material Thickness	3 – 5 μm [118.11 – 196.85 μin]
Contact Mating Area Plating Material	Tin
Contact Underplating Material	Nickel
PCB Contact Termination Area Plating Material	Tin
Contact Base Material	Phosphor Bronze
Contact Current Rating (Max)	1.5 A

Termination Features

Termination Method to Wire & Cable	Insulation Displacement Crimp (IDC)
------------------------------------	-------------------------------------

Mechanical Attachment

Contact Retention Type Within Housing	Press-Fit
Polarization	With
Mating Alignment	With
PCB Mount Alignment	Without
Panel Mount Feature	Without
Mating Alignment Type	Polarization
Mating Retention	Without

Housing Features

Housing Material	Polyester - GF
Housing Color	Red
Centerline (Pitch)	1.27 mm[.05 in]

Dimensions

Connector Length	16.2 mm[.638 in]
Connector Height	6.8 mm[.27 in]
Accepts Wire Insulation Diameter Range	.8 – 1 mm[.035 – .039 in]
Wire Size	.08 – .09 mm ²
Row-to-Row Spacing	1.5 mm

Usage Conditions

Operating Temperature Range	-40 – 105 °C
-----------------------------	--------------

Operation/Application

Circuit Application	Signal
---------------------	--------

Industry Standards

UL Flammability Rating	UL 94V-0
------------------------	----------

Packaging Features

Packaging Quantity	2500
--------------------	------

Packaging Method	Reel
------------------	------

Product Compliance

[For compliance documentation, visit the product page on TE.com>](#)

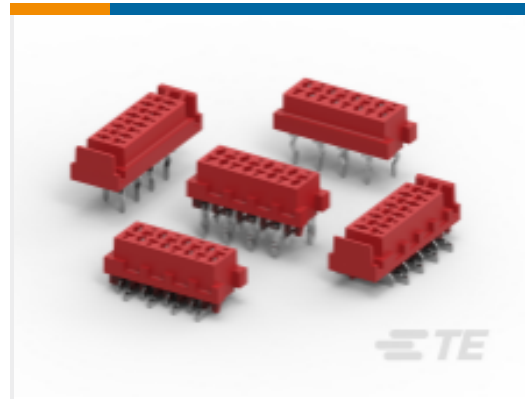
EU RoHS Directive 2011/65/EU	Compliant
EU ELV Directive 2000/53/EC	Not Yet Reviewed
China RoHS 2 Directive MIIT Order No 32, 2016	No Restricted Materials Above Threshold
EU REACH Regulation (EC) No. 1907/2006	Current ECHA Candidate List: JUL 2019 (201) Candidate List Declared Against: JUL 2019 (201) Does not contain REACH SVHC
EU REACH Regulation (EC) No. 1907/2006	Current ECHA Candidate List: JUL 2019 (201) Candidate List Declared Against: JUL 2019 (201)
Halogen Content	Not Low Halogen - contains Br or Cl > 900 ppm.
Solder Process Capability	Not applicable for solder process capability

Product Compliance Disclaimer

This information is provided based on reasonable inquiry of our suppliers and represents our current actual knowledge based on the information they provided. This information is subject to change. The part numbers that TE has identified as EU RoHS compliant have a maximum concentration of 0.1% by weight in homogenous materials for lead, hexavalent chromium, mercury, PBB, PBDE, DBP, BBP, DEHP, DIBP, and 0.01% for cadmium, or qualify for an exemption to these limits as defined in the Annexes of Directive 2011/65/EU (RoHS2). Finished electrical and electronic equipment products will be CE marked as required by Directive 2011/65/EU. Components may not be CE marked. Additionally, the part numbers that TE has identified as EU ELV compliant have a maximum concentration of 0.1% by weight in homogenous materials for lead, hexavalent chromium, and mercury, and 0.01% for cadmium, or qualify for an exemption to these limits as defined in the Annexes of Directive 2000/53/EC (ELV). Regarding the REACH Regulations, TE's information on SVHC in articles for this part number is still based on the European Chemical Agency (ECHA) 'Guidance on requirements for substances in articles' (Version: 2, April 2011), applying the 0.1% weight on weight concentration threshold at the finished product level. TE is aware of the European Court of Justice ruling of September 10th, 2015 also known as O5A (Once An Article Always An Article) stating that, in case of 'complex object', the threshold for a SVHC must be applied to both the product as a whole and simultaneously to each of the articles forming part of its composition. TE has evaluated this ruling

based on the new ECHA "Guidance on requirements for substances in articles" (June 2017, version 4.0) and will be updating its statements accordingly.

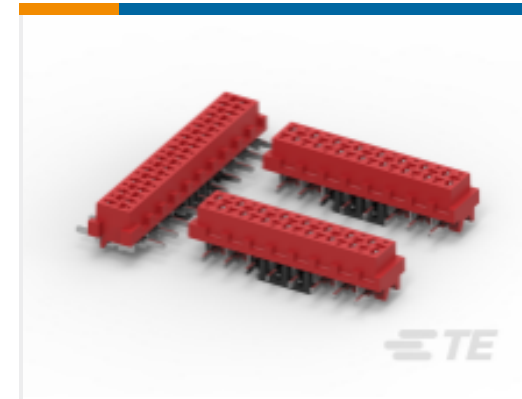
Compatible Parts



TE Model / Part # CAT-M5833-F3492A
FEMALE-ON-BOARD
CONNECTOR TOP ENTRY



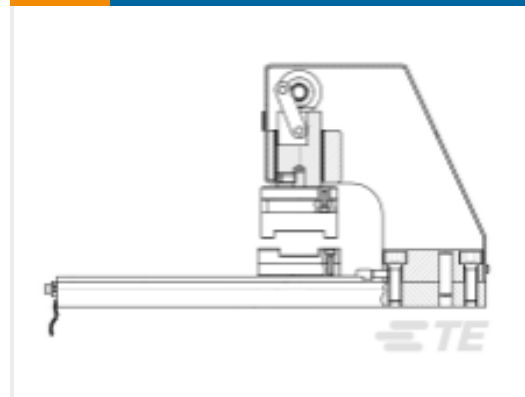
TE Model / Part # CAT-M5833-F3492
FEMALE-ON-BOARD
CONNECTOR SIDE ENTRY



TE Model / Part # CAT-M5833-F3491
FEMALE-IN-BOARD
CONNECTOR



TE Model / Part # 1-167019-0
10P. RIBBCBL 28AWG P1.
27



TE Model / Part # 1-547008-7
PRESS MICRO MATCH

Also in the Series | Micro-MaTch Industrial



Pluggable I/O Cable
Assemblies(54)



Ribbon Cable Connectors
(203)



Wire-to-Board Connector
Contacts(4)

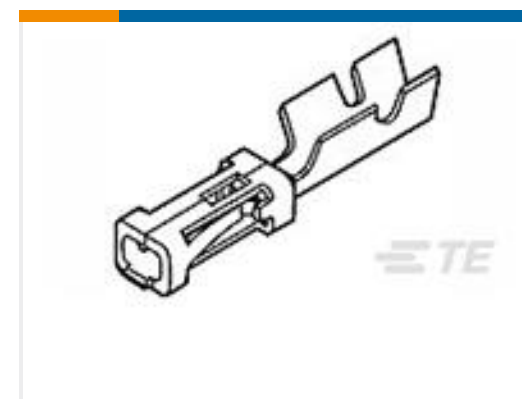
Customers Also Bought



TE Model / Part #350766-4
03P UMNL PLUG HSG
UL94V0



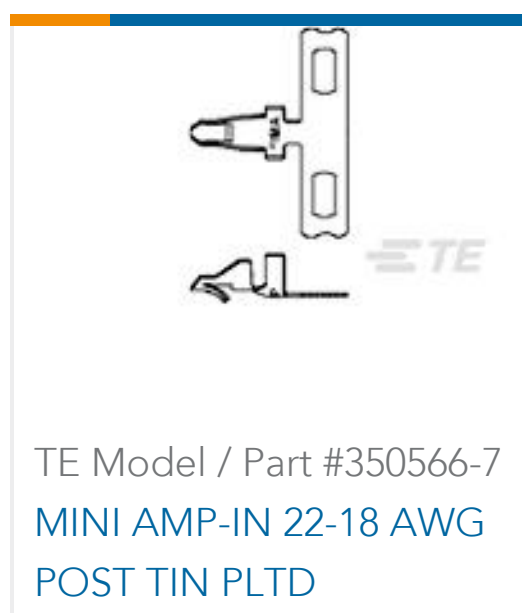
TE Model / Part #926882-3
UNIV.M-N-L.SOCKET



TE Model / Part #167301-4
MOD-4 REC.CONT.SCP



TE Model / Part #926882-1
UNIV.M-N-L.SOCKET



Documents

Product Drawings

MICRO-MATCH MOW.10P

English

CAD Files

3D PDF

3D

Customer View Model

[ENG_CVM_CVM_1-215083-0_U.2d_dxf.zip](#)

English

Customer View Model

[ENG_CVM_CVM_1-215083-0_U.3d_igs.zip](#)

English

Customer View Model

[ENG_CVM_CVM_1-215083-0_U.3d_stp.zip](#)

English

Datasheets & Catalog Pages

Micro-MaTch Catalog

English

Ribbon Cable Interconnect Solutions

English

Centerline Micro-Match Connector Series

English

Product Specifications

Application Specification

English

micro match miniature connector system

English

Product Environmental Compliance

TE Material Declaration

English

Agency Approvals



UL Report

English