

JBC C210002 Conical Bent $\varnothing 0.2$

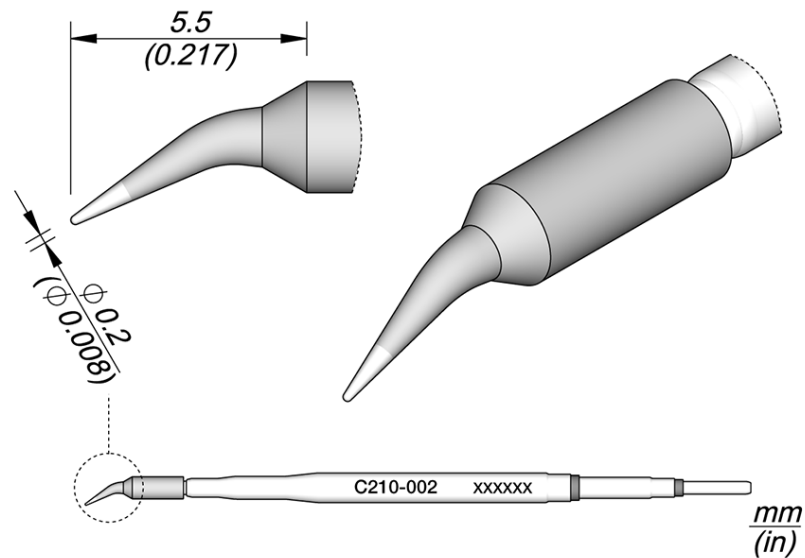
C210 cartridges are appropriate for precision soldering jobs with medium power requirements.

Due to the size, these cartridges are perfect to work with SMD, under a microscope, or with conventional components.

They work with T210 Precision Handpieces.

JBC Long Life Tips offer instant heat up, excellent heat transfer and great durability.

They last 5 times longer than other brands thanks to the JBC Most Efficient Soldering System and the Sleep & Hibernation features.



SPECIFICATIONS

Net weight	0,002 kg (0.00lb)
Package weight	15 gr (0.03 lb)
Package dimensions	110 x 12 x 12 mm 4.33 x 0.47 x 0.47 in
	2 gr (0.00 lb)

CONNECTABLES

Compatible tools

Precision Purpose
Handle
T210-A

Blue Precision
Handle
T210-PA



Accessories

Cartridge
dispenser case
C105C210
DC-A

