

**Preliminary**

The contents of this document are confidential and must not be disclosed wholly or in part to any third part without the prior written consent of AMPIRE CO., LTD



晶采光電科技股份有限公司  
**AMPIRE CO., LTD.**

# SPECIFICATIONS FOR LCD MODULE

<b>CUSTOMER</b>	
<b>CUSTOMER PART NO.</b>	
<b>AMPIRE PART NO.</b>	<b>AM-320240N1TMQW-TW2H(R)</b>
<b>APPROVED BY</b>	
<b>DATE</b>	

- Approved For Specifications**
- Approved For Specifications & Sample**

**AMPIRE CO., LTD.**

**TOWER A, 4F, No.114, Sec. 1, HSIN-TAI 5th RD., HIS-CHIH,  
TAIPEI HSIEN, TAIWAN(R.O.C.)**

**台北縣汐止鎮新台五路一段114號4樓(東方科學園區A棟)**

**TEL:886-2-26967269, FAX:886-2-26967196 or 886-2-26967270**

<b>APPROVED BY</b>	<b>CHECKED BY</b>	<b>ORGANIZED BY</b>

**Preliminary**

The contents of this document are confidential and must not be disclosed wholly or in part to any third part without the prior written consent of AMPIRE CO., LTD

---

**RECORD OF REVISION**

Revision Date	Page	Contents	Editor
2007/9/6	-	New Release TFT LCD controller + Pin Header ( 8bit 80 interface ) + TP	Edward

## Preliminary

The contents of this document are confidential and must not be disclosed wholly or in part to any third part without the prior written consent of AMPIRE CO., LTD

---

# 1 Features

5.7 inch Amorphous-TFT-LCD (Thin Film Transistor Liquid Crystal Display) module. This module is composed of a 5.7" TFT-LCD panel, LCD controller, power driver circuit and backlight unit.

## 1.1 TFT Panel Feature :

- (1) Construction: 5.7" a-Si color TFT-LCD, White LED / CCFL Backlight and PCB.
- (2) Resolution (pixel): 320(R.G.B) X240
- (3) Number of the Colors : 262K colors ( R , G , B 6 bit digital each)
- (4) LCD type : Transmissive Color TFT LCD ( normally White)
- (5) Interface: 34pin Pin Header.
- (6) Power Supply Voltage: 3.3V single power input. Built-in power supply circuit.
- (7) Viewing Direction: 6 O'clock ( The direction it's hard to be discolored ):

## 1.2 LCD Controller Feature:

- (1) MCU interface 8/9/16/18 bit 80&68 series MCU interface.
- (2) Display RAM size : 640x240x3x6 bits. Ex:320x240 two frame buffer with 262K colors.
- (3) Arbitrary display memory start position selection.
- (4) MCU interface : 8 bit 80 MPU interface.
- (5) 8 bit / 16 bit interface support 65K ( R5G6B5) /262K(R6G6B6) colors data format.
- (6) 9 bit / 18 bit interface support 262K(R6G6B6) colors data format only.

# 2 Physical specifications

Item	Specifications	Unit	
Display resolution(dot)	960 (W) x 240(H)	Mm	
Active area	115.2 (W) x 86.4 (H)	Mm	
Screen size	5.7(Diagonal)	Mm	
Pixel size	120 (W) x 360 (H)	Um	
Color configuration	R.G.B stripe		
Overall dimension	131.0(W)x102.2(H)x14.5(D)	Mm	
Weight	T.B.D	Mg	
Backlight unit	LED		

## Preliminary

The contents of this document are confidential and must not be disclosed wholly or in part to any third part without the prior written consent of AMPIRE CO., LTD

### 3 Default Setting & Option

- Interface :

The user can select the MCU interface by change the Jumper & Resister Array.

Setting	JP1	RA1	RA2	RA3	RA4	Remark
Interface Type						
80-18Bit interface	1,2 short 2,3 open	2K ohm	OPEN	OPEN	OPEN	
80-16Bit interface	1,2 short 2,3 open	OPEN	2K ohm	OPEN	OPEN	
80-9Bit interface	1,2 short 2,3 open	OPEN	OPEN	2K ohm	OPEN	
<b>80-8Bit interface</b>	<b>1,2 short 2,3 open</b>	<b>OPEN</b>	<b>OPEN</b>	<b>OPEN</b>	<b>2K ohm</b>	<b>Default</b>
68-18Bit interface	1,2 open 2,3 short	2K ohm	OPEN	OPEN	OPEN	
68-16Bit interface	1,2 open 2,3 short	OPEN	2K ohm	OPEN	OPEN	
68-9Bit interface	1,2 open 2,3 short	OPEN	OPEN	2K ohm	OPEN	
68-8Bit interface	1,2 open 2,3 short	OPEN	OPEN	OPEN	2K ohm	

- Connector

The user can select the connector type.

Option	Support interface	Remark
24 Pin FFC Cable ( Pitch1.0x24pin)	80/68 8bit interface only	
<b>34Pin Pin Header ( Pitch 2.54 x 34 pin)</b>	<b>80/68 8/9/16/18 bit interface</b>	<b>Default</b>

- Touch panel and Touch panel controller:

The user can select the with TP controller or without TP controller.

Pin Define	SK/X1	DO/X2	DI/Y1	TPCS/Y2	IRQ	Remark
Option						
Without TP	NC	NC	NC	NC	NC	
<b>With TP / Without TP controller</b>	<b>X1</b>	<b>X2</b>	<b>Y1</b>	<b>Y2</b>	<b>NC</b>	<b>Default</b>
With TP / With TP controller	SK	DO	DI	TPCS	IRQ	

If user want to change the default setting for mass production, please contact with Amprie. We'll apply a new P/N for you.

## Preliminary

The contents of this document are confidential and must not be disclosed wholly or in part to any third part without the prior written consent of AMPIRE CO., LTD

# 4 Electrical specification

## 4.1 Absolute max. ratings

### 4.1.1 Electrical Absolute max. ratings

Item	Symbol	Condition	Min.	Max.	Unit	Remark
Power voltage	VDD	VSS=0	-0.3	5.5	V	
Input voltege	V <sub>in</sub>		-0.3	VDD+0.3	V	Note 1

Note1: /CS,/WR,/RD,RS,DB0~DB7

### 4.1.2 Environmental Absolute max. ratings

Item	OPERATING		STORAGE		Remark
	MIN	MAX	MIN	MAX	
Temperature	-20	70	-30	80	Note2,3,4,5,6,7
Humidity	Note1		Note1		
Corrosive Gas	Not Acceptable		Not Acceptable		

Note1 : Ta <= 40°C : 85% RH max

Ta > 40°C : Absolute humidity must be lower than the humidity of 85%RH at 40°C

Note2 : For storage condition Ta at -30°C < 48h , at 80°C < 100h

For operating condition Ta at -20°C < 100h

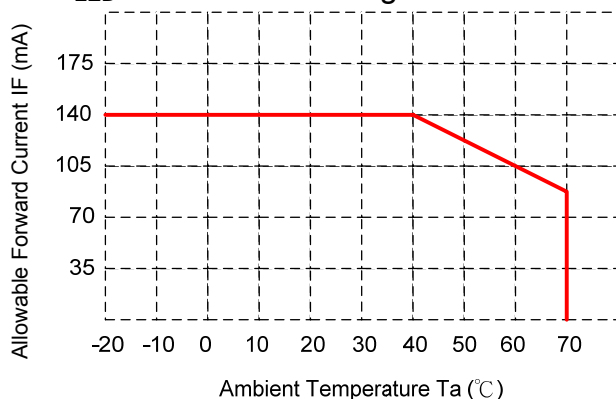
Note3 : Background color changes slightly depending on ambient temperature. This phenomenon is reversible.

Note4 : The response time will be slower at low temperature.

Note5 : Only operation is guarantied at operating temperature. Contrast , response time, another display quality are evaluated at +25°C

Note6 :

- LED BL : When LCM is operated over 40°C ambient temperature, the I<sub>LED</sub> of the LED back-light should be follow :



Note7 : This is panel surface temperature, not ambient temperature.

## Preliminary

The contents of this document are confidential and must not be disclosed wholly or in part to any third part without the prior written consent of AMPIRE CO., LTD

Note8 :

- LED BL:When LCM be operated over than 40°C , the life time of the LED back-light will be reduced.

### 4.1.3 LED back-light Unit Absolute max. ratings

Item	Symbol	Ratings	Unit	Remark
Peak forward Current	IF	350	mA	
Reverse Voltage	VR	30	V	
Power Dissipation	Po	1.2	W	

## 4.2 Electrical characteristics

### 4.2.1 DC Electrical characteristic of the LCD

Typical operating conditions (VSS=0V)

Item	Symbol	Min.	Typ.	Max.	Unit	Remark	
Power supply	VDD	3.1	5.0	5.2	V		
Input Voltage for logic	H Level	V <sub>IH</sub>	2.0	-	5.5	V	Note 1
	L Level	V <sub>IL</sub>	VSS	-	0.8	V	
Output Voltage for Logic	H Level	V <sub>OH</sub>	2.4	-	VDD	V	Note 2
	L Level	V <sub>OL</sub>	VSS	-	0.4	V	
Power Supply current	IDD	-	150	-	mA	Note 3	

Note1: With 5V Tolerance Input , /CS, /WR,/RD,RS,DB0~DB17

Note2: DB0~DB17

Note3: f<sub>v</sub> =60Hz , Ta=25°C , VDD=3.3V , DCLK=10MHz, PLL frequency=40MHz,

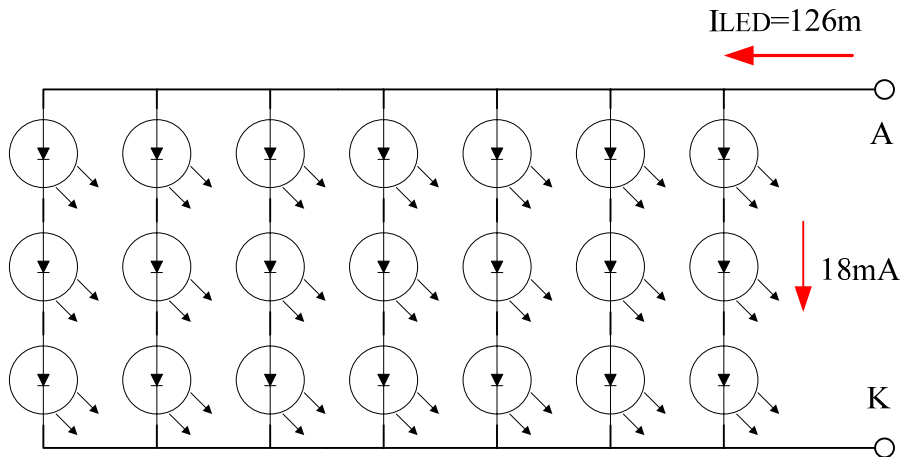
Display pattern : All Black

**Preliminary**

The contents of this document are confidential and must not be disclosed wholly or in part to any third part without the prior written consent of AMPIRE CO., LTD

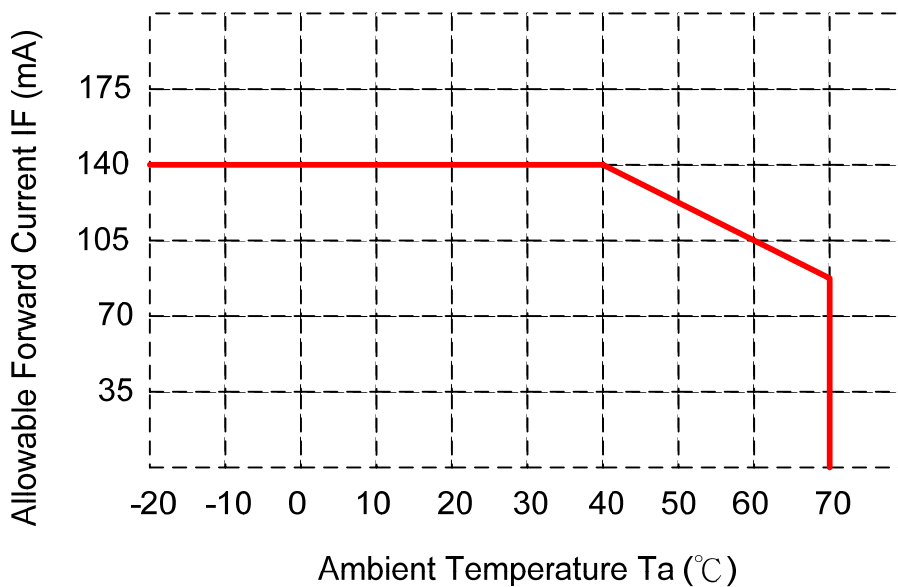
**4.2.2 Electrical characteristic of LED Back-light**

Parameter	Symbol	Min.	Typ.	Max.	Unit	Condition
LED voltage	$V_{AK}$	--	10.5	12	V	$I_{LED} = 140mA, T_a = 25^{\circ}C$
LED forward current	$I_{LED}$	--	126	140	mA	$T_a = 25^{\circ}C$
	$I_{LED}$	--	84	105	mA	$T_a = 60^{\circ}C$
Lamp life time		30,000	-	-	Hr	$I_{LED} = 126mA, T_a = 25^{\circ}C$



- The constant current source is needed for white LED back-light driving.

When LCM is operated over 60°C ambient temperature, the  $I_{LED}$  of the LED back-light should be adjusted to 105mA max

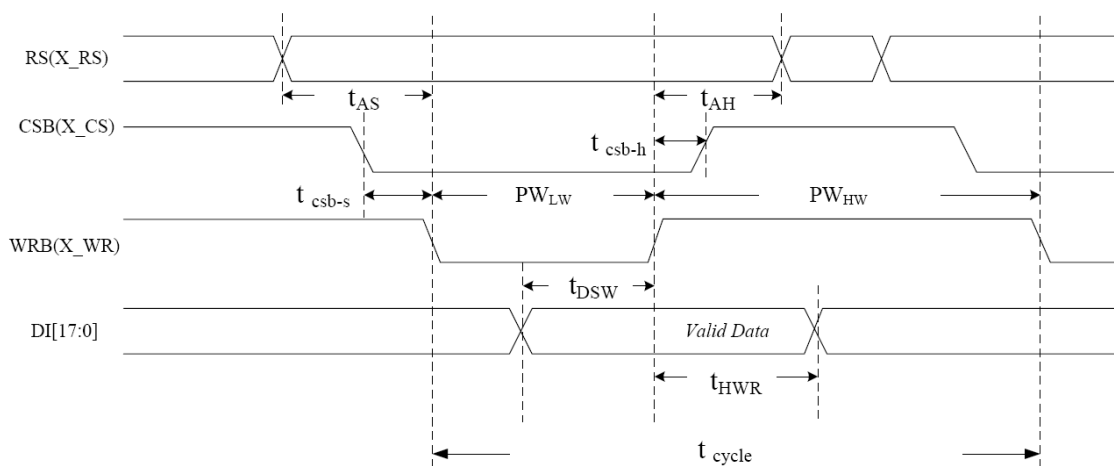


## Preliminary

The contents of this document are confidential and must not be disclosed wholly or in part to any third part without the prior written consent of AMPIRE CO., LTD

### 3.3 AC Timing characteristic of the Graphic TFT LCD controller

#### 4.3 80 series Timing



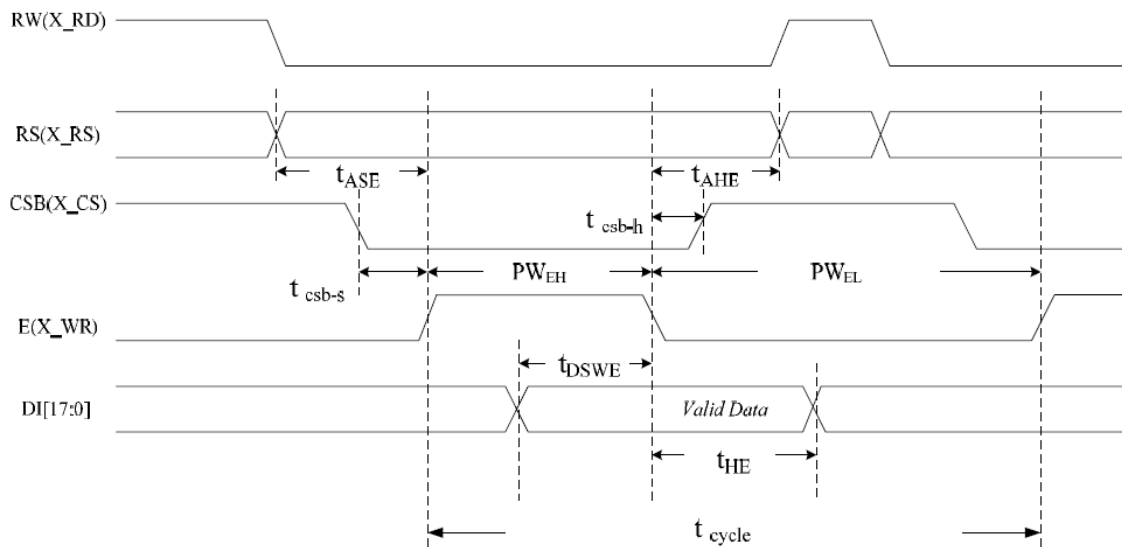
Symbol	Parameter	Min	Typ	Max	Unit	Remark
$t_{cycle}$	Enable cycle time	100	200		ns	
$PW_{HW}$	Enable high-level pulse width	66	70		ns	
$PW_{LW}$	Enable low-level pulse width	33	130		ns	
$t_{AS}$	RS setup time	16	25		ns	
$t_{AH}$	RS hold time	16	45		ns	
$t_{DSW}$	Write data setup time	50	50		ns	
$t_{HWR}$	Write data hold time	50	40		ns	
$t_{csb-s}$	CSB setup time	16	20		ns	
$t_{csb-h}$	CSB hold time	16	30		ns	



## Preliminary

The contents of this document are confidential and must not be disclosed wholly or in part to any third part without the prior written consent of AMPIRE CO., LTD

### 4.4 68series Timing



Symbol	Parameter	Min	Typ	Max	Unit	Remark
$t_{cycle}$	Enable cycle time	100	200		ns	
$PW_{EH}$	Enable high-level pulse width	66	70		ns	
$PW_{EL}$	Enable low level pulse width	33	130		ns	
$t_{ASE}$	RS setup time	16	25		ns	
$t_{AHE}$	RS hold time	16	45		ns	
$t_{DSWE}$	Write data setup time	50	50		ns	
$t_{HE}$	Write data hold time	50	40		ns	
$t_{csb-s}$	CSB setup time	16	20		ns	
$t_{csbh}$	CSB hold time	16	30		ns	

## Preliminary

The contents of this document are confidential and must not be disclosed wholly or in part to any third part without the prior written consent of AMPIRE CO., LTD

# 5 Optical specification

## 5.1 Optical characteristic :

Item		Symbol	Conditon	Min.	Typ.	Max.	Unit	Remark
Response Time	Rise	$T_r$	$\Theta=0^\circ$	-	15	30	ms	Note 1,2,3,5
	Fall	$T_f$		-	35	50	ms	
Contrast ratio		CR	At optimized viewing angle	200	350	-		Note 1,2,4,5
Viewing Angle	Top		$CR \geq 10$	55	60	-	deg.	Note1,2, 5,6
	Bottom			45	50	-		
	Left			55	60	-		
	Right			55	60	-		
Brightness LED BL Without TP		$Y_L$	$I_{LED}=126mA, 25^\circ C$	427.5	450	-	$cd/m^2$	Note 7
			$I_{LED}=140mA, 25^\circ C$	475	500	-	$cd/m^2$	
Brightness LED BL With TP		$Y_L$	$I_{LED}=126mA, 25^\circ C$	342	360	-	$cd/m^2$	Note 7
			$I_{LED}=140mA, 25^\circ C$	380	400	-	$cd/m^2$	
Red chromaticity		XR	$\Theta=0^\circ$ $\Theta=0^\circ$	0.610	0.640	0.670		Note 7 For reference only. These data should be update according the prototype.
		YR		0.314	0.344	0.374		
Green chromaticity		XG		0.268	0.298	0.328		
		YG		0.553	0.583	0.613		
Blue chromaticity		XB		0.102	0.132	0.162		
		YB		0.107	0.137	0.167		
White chromaticity		XW		0.282	0.312	0.342		
		YW		0.299	0.329	0.359		

( ) For reference only. These data should be update according the prototype.

Note 1:

- LED BL :Ambient temperature= $25^\circ C$ ,and lamp current  $I_{LED}=140mA$ .To be measured in the dark room.
- CCFL BL: Ambient temperature= $25^\circ C$ ,and lamp current  $I_L=6 mArms$ .To be measured in the dark room.

Note 2:To be measured on the center area of panel with a viewing cone of  $1^\circ$  by Topcon luminance meter BM-7,after 10 minutes operation.

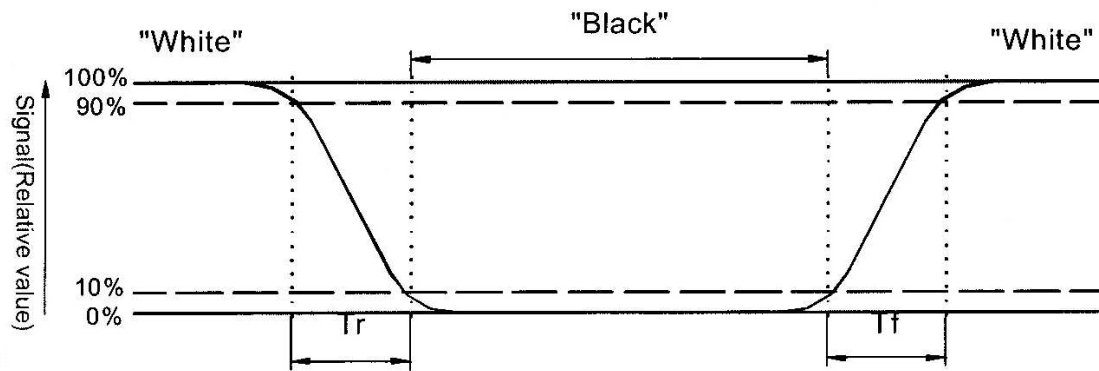
Note 3.Definition of response time:

The output signals of photo detector are measured when the input signals are changed from "black" to "white"(falling time) and from"white" to "black" (rising time),respectively.The response time is defined as the time interval between the 10% and 90% of amplitudes. Refer to figure as below.

## Preliminary

The contents of this document are confidential and must not be disclosed wholly or in part to any third part without the prior written consent of AMPIRE CO., LTD

---



Note 4. Definition of contrast ratio:

Contrast ratio is calculated with the following formula.

$$\text{Contrast ratio(CR)} = \frac{\text{Photo detector output when LCD is at "White" state}}{\text{Photo detector Output when LCD is at "Black" state}}$$

Note 5: White  $V_i = V_{i50} + 1.5V$

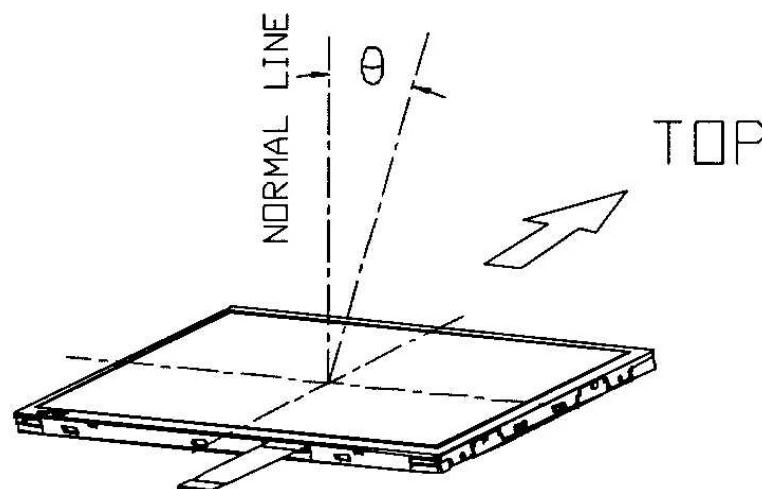
Black  $V_i = V_{i50} + 2.0V$

"±" means that the analog input signal swings in phase with  $V_{COM}$  signal.

" $\frac{-}{+}$ " means that the analog input signal swings out of phase with  $V_{COM}$  signal.

$V_{i50}$  : The analog input voltage when transmission is 50%. The 100% Transmission is defined as the transmission of LCD panel when all the Input terminals of module are electrically opened.

Note 6. Definition of viewing angle, Refer to figure as below.

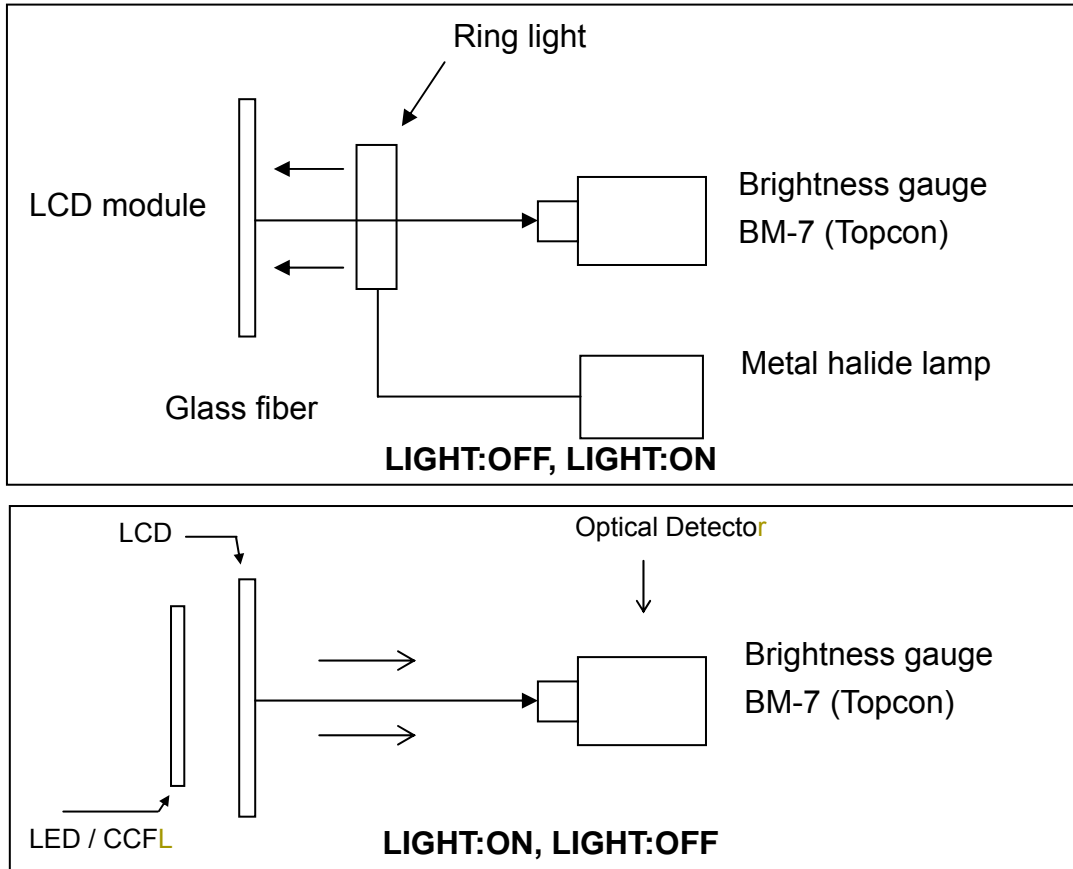


**Preliminary**

The contents of this document are confidential and must not be disclosed wholly or in part to any third part without the prior written consent of AMPIRE CO., LTD

---

Note 7. Measured at the center area of the panel when all the input terminals of LCD panel are electrically opened.



**Preliminary**

The contents of this document are confidential and must not be disclosed wholly or in part to any third part without the prior written consent of AMPIRE CO., LTD

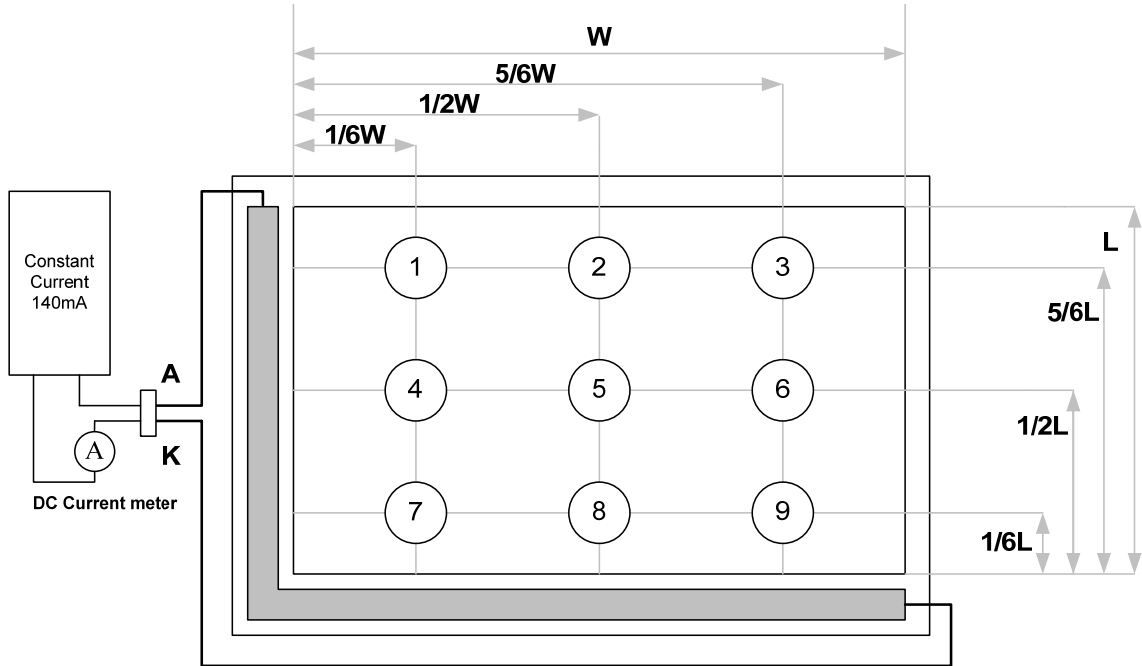
**5.2 Optical characteristic of the LED Back-light**

ITEM	MIN	TYP	MAX	UNIT	Condition
Bare Brightness	3500	--	--	Cd/m2	$I_{LED} = 140mA, Ta = 25^{\circ}C$
AVG. X of 1931 C.I.E.	0.28	0.31	0.34	--	$I_{LED} = 140mA, Ta = 25^{\circ}C$
AVG. X of 1931 C.I.E.	0.28	0.31	0.34	--	$I_{LED} = 140mA, Ta = 25^{\circ}C$
Brightness Uniformity	80	--	--	%	$I_{LED} = 140mA, Ta = 25^{\circ}C$

( ) For reference only. These data should be update according the prototype.

Note1 : Measurement after 10 minutes from LED BL operating.

Note2 : Measurement of the following 9 places on the display.



Note3: The Uniformity definition

$(\text{Min Brightness} / \text{Max Brightness}) \times 100\%$

**Preliminary**

The contents of this document are confidential and must not be disclosed wholly or in part to any third part without the prior written consent of AMPIRE CO., LTD

---

**5.3 Touch Panel Electrical Specification**

Parameter	Condition	Standard Value
Terminal Resistance	X Axis	400 ~ 900 Ω
	Y Axis	200 ~ 500 Ω
Insulating Resistance	DC 25 V	More than 10MΩ
Linearity	--	±1.5 %
Notes life by Pen	Note a	100,000 times(min)
Input life by finger	Note b	1,000,000 times (min)

**Note A .**

Notes area for pen notes life test is 10 x 9 mm.

Size of word is 7.5 x 6.72

Shape of pen end : R0.8

Load : 250 g

**Note B**

By Silicon rubber tapping at same point

Shape of rubber end : R8

Load : 200g

Frequency : 5 Hz

**Interface**

No.	Symbol	Function
1	XR	Touch Panel Right Signal in X Axis
2	YU	Touch Panel Upper Signal in Y Axis
3	XL	Touch Panel Left Signal in X Axis
4	YL	Touch Panel Low Signal in Y Axis

## Preliminary

The contents of this document are confidential and must not be disclosed wholly or in part to any third part without the prior written consent of AMPIRE CO., LTD

# 6 Interface specifications

## 6.1 Driving signals for the TFT panel

### 6.1.1 24pin FFC connector ( Without for reference only)

(Suitable ZIF connector)

Pin no	Symbol	I/O	Description	Remark
1	/RESET	I	Reset signal for TFT LCD controller	
2	/RD(R/W)	I	80mode : /RD low active signal for TFT LCD controller 68mode : R/W signal Hi: read Lo:Write	
3	/WR(E)	I	80mode : /WR low active signal for TFT LCD controller 68mode : E signal latch on rising edge	
4	/CS	I	Chip select low active signal for TFT LCD controller	
5	RS	I	Register and Data select for TFT LCD controller	
6	DB0	I/O	Data Bus	
7	DB1	I/O	Data Bus	
8	DB2	I/O	Data Bus	
9	DB3	I/O	Data Bus	
10	DB4	I/O	Data Bus	
11	DB5	I/O	Data Bus	
12	DB6	I/O	Data Bus	
13	DB7	I/O	Data Bus	
14	VDD	-	Power supply for the logic (3.3V)	
15	VSS	-	GND	
16	NC	-	No connection	
17	NC	-	No connection	
18	SK/X1	-	Serial clock for Touch panel controller Touch Panel Left Signal in X Axis	
19	DO/X2	-	Data Output for Touch panel controller Touch Panel Right Signal in X Axis	
20	DI / Y1	-	Data In for Touch panel controller Touch Panel Upper Signal in Y Axis	
21	TPCS / Y2	-	Chip Select for Touch panel controller Touch Panel Lower Signal in X Axis	
22	INT	-	Interrupt for Touch panel controller	
23	NC	-	No connection	
24	NC	-	No connection	

18~22 : SK, DO, DI, CS, INT for Touch Panel controller TSC2046

/ X1, X2, Y1, Y2 for Touch Panel (without TSC2046)

## Preliminary

The contents of this document are confidential and must not be disclosed wholly or in part to any third part without the prior written consent of AMPIRE CO., LTD

### 6.1.2 34pin PIN Header

Pin no	Symbol	Description	
1	/RESET	Reset signal for TFT LCD controller	
3	/RD(R/W)	80mode : /RD low active signal for TFT LCD controller 68mode : R/W signal Hi: read Lo:Write	
5	/WR(E)	80mode : /WR low active signal for TFT LCD controller 68mode : E signal latch on rising edge	
7	/CS	Chip select low active signal for TFT LCD controller	
9	RS	Register and Data select for TFT LCD controller	
11	DB0	Data Bus	
13	DB1	Data Bus	
15	DB2	Data Bus	
17	DB3	Data Bus	
19	DB4	Data Bus	
21	DB5	Data Bus	
23	DB6	Data Bus	
25	DB7	Data Bus	
27	VDD	Power supply for the logic (3.3V)	
29	VDD	Power supply for the logic (3.3V)	
31	VSS	GND	
33	VSS	GND	

Pin no	Symbol	Description	
2	SK/X1	Serial clock for Touch panel controller Touch Panel Left Signal in X Axis	
4	DO/X2	Data Output for Touch panel controller Touch Panel Right Signal in X Axis	
6	DI / Y1	Data In for Touch panel controller Touch Panel Upper Signal in Y Axis	
8	TPCS / Y2	Chip Select for Touch panel controller Touch Panel Lower Signal in X Axis	
10	INT	Interrupt for Touch panel controller	
12	DB8	Data Bus	
14	DB9	Data Bus	
16	DB10	Data Bus	
18	DB11	Data Bus	
20	DB12	Data Bus	
22	DB13	Data Bus	
24	DB14	Data Bus	
26	DB15	Data Bus	
28	DB16	Data Bus	
30	DB17	Data Bus	
32	NC	No connection	
34	NC	No connection	

Pin No 2,4,6,8: SK, DO, DI, CS, INT for Touch Panel controller TSC2046

/ X1, X2, Y1, Y2 for Touch Panel (without TSC2046)



**Preliminary**

The contents of this document are confidential and must not be disclosed wholly or in part to any third part without the prior written consent of AMPIRE CO., LTD

---

**Driving signals for the back-light****6.1.3 LED Back-light**

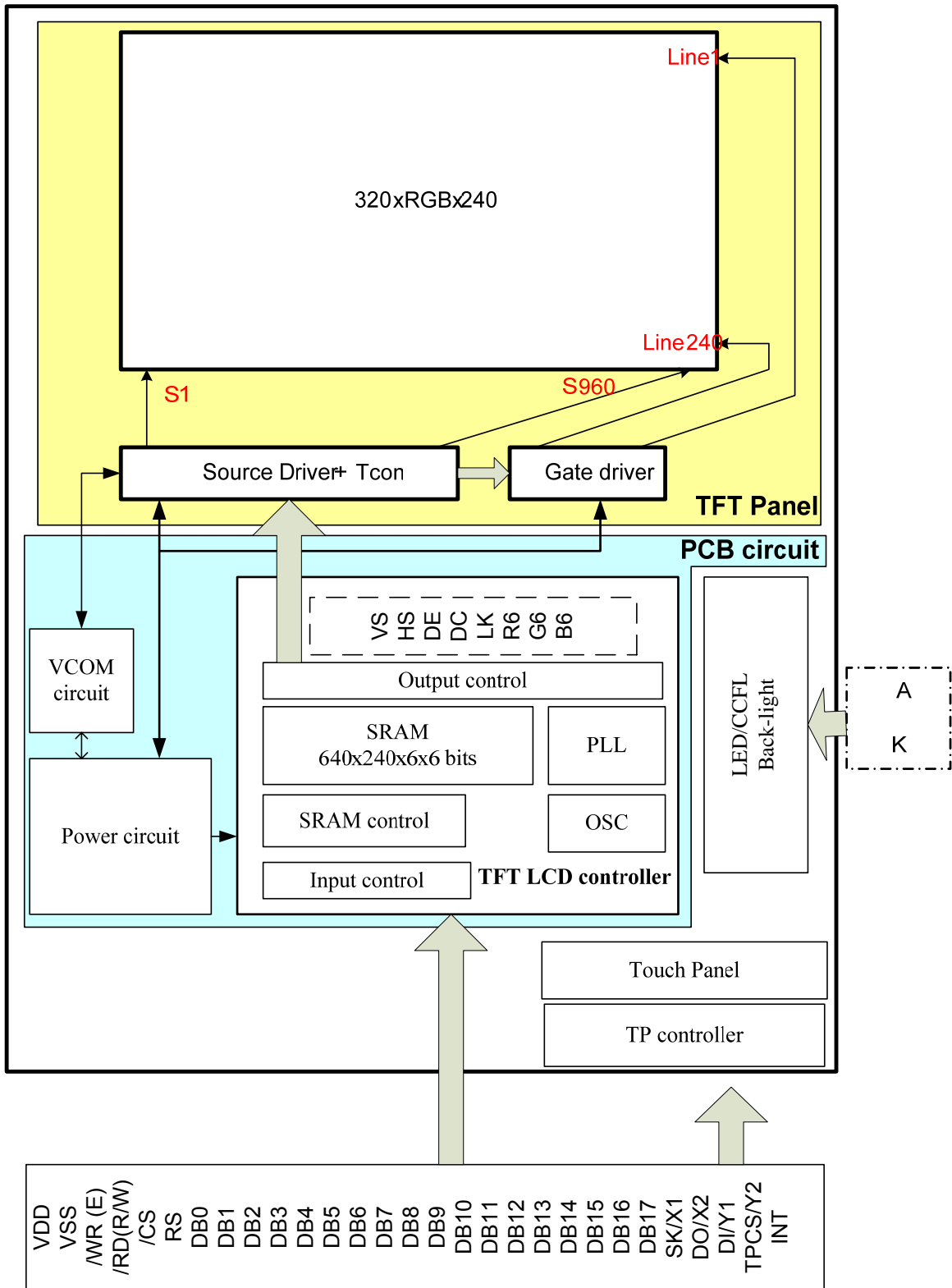
JST Housing: BHR-03VS-1

Pin no	Symbol	Level	Description	Remark
1	A	-	LED Anode	
2	NC	-	No connection	
3	K	-	LED Cathode	

**Preliminary**

The contents of this document are confidential and must not be disclosed wholly or in part to any third part without the prior written consent of AMPIRE CO., LTD

**7 BLOCK DIAGRAM**

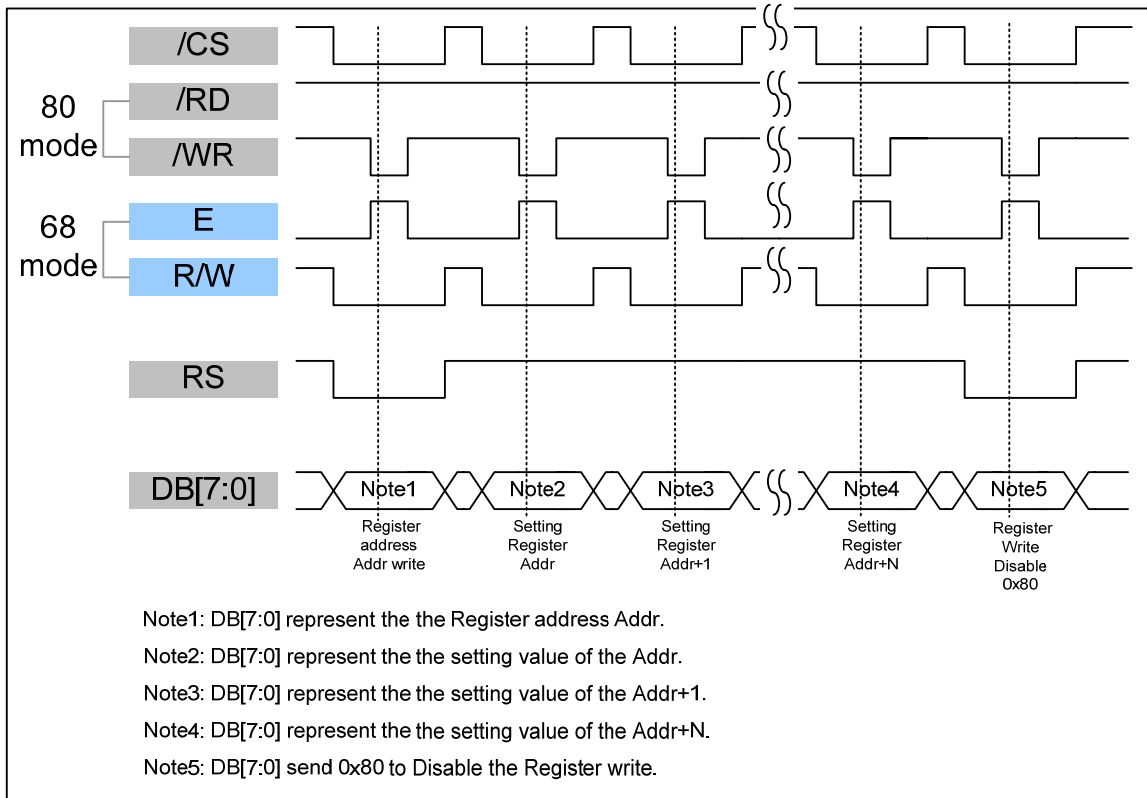


**Preliminary**

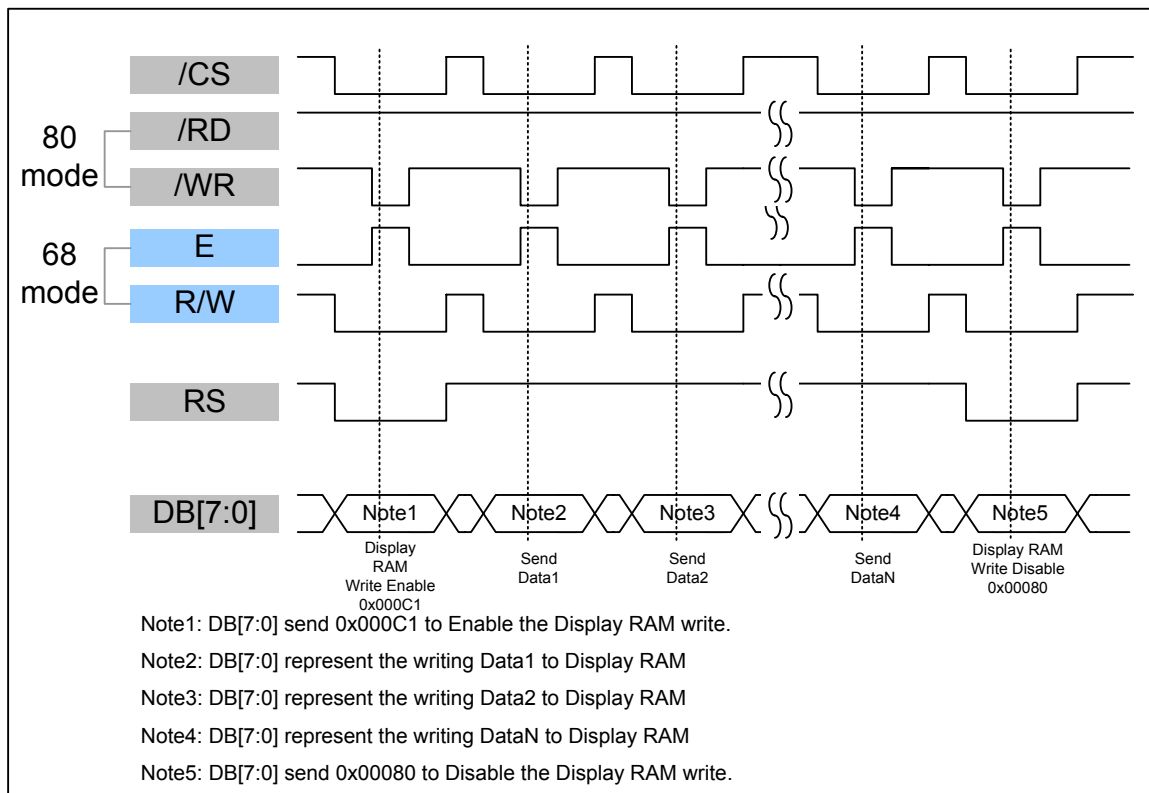
The contents of this document are confidential and must not be disclosed wholly or in part to any third part without the prior written consent of AMPIRE CO., LTD

## 8 Interface Protocol

### 8.1 8Bit-80/68- Write to Command Register



### 8.2 8Bit-80/68-Write to Display RAM



## Preliminary

The contents of this document are confidential and must not be disclosed wholly or in part to any third part without the prior written consent of AMPIRE CO., LTD

---

### 8.3 Data transfer order Setting

#### 8.3.1 8 bit interface 65K color (JP2 1,2 short 65K/262K =Low)

DB	15	14	13	12	11	10	9	8	7	6	5	4	3	2	1	0
1 <sup>st</sup> data	X	X	X	X	X	X	X	X	R4	R3	R2	R1	R0	G5	G4	G3
2 <sup>nd</sup> data	X	X	X	X	X	X	X	X	G2	G1	G0	B4	B3	B2	B1	B0

#### 8.3.2 8 bit interface 262K color (JP2 2,3 short 65K/262K =High)

DB	15	14	13	12	11	10	9	8	7	6	5	4	3	2	1	0
1 <sup>st</sup> data	X	X	X	X	X	X	X	X							R5	R4
2 <sup>nd</sup> data	X	X	X	X	X	X	X	X	R3	R2	R1	R0	G5	G4	G3	G2
3 <sup>rd</sup> data	X	X	X	X	X	X	X	X	G1	G0	B5	B4	B3	B2	B1	B0

## Preliminary

The contents of this document are confidential and must not be disclosed wholly or in part to any third part without the prior written consent of AMPIRE CO., LTD

## 9 Register Depiction

Register Address (Hex)	Default (Hex)	DB7	DB6	DB5	DB4	DB3	DB2	DB1	DB0	Remark
00	00	MSB of X-axis start position								
Description	set the horizontals start position of display active region									
Register Address (Hex)	Default (Hex)	DB7	DB6	DB5	DB4	DB3	DB2	DB1	DB0	Remark
01	00	LSB of X-axis start position								
Description	set the horizontals start position of display active region									
Register Address (Hex)	Default (Hex)	DB7	DB6	DB5	DB4	DB3	DB2	DB1	DB0	Remark
02	01	MSB of X-axis end position								
Description	set the horizontals end position of display active region									
Register Address (Hex)	Default (Hex)	DB7	DB6	DB5	DB4	DB3	DB2	DB1	DB0	Remark
03	3F	LSB of X-axis end position								
Description	set the horizontals end position of display active region									
Register Address (Hex)	Default (Hex)	DB7	DB6	DB5	DB4	DB3	DB2	DB1	DB0	Remark
04	00	MSB of Y-axis start position								
Description	set the vertical start position of display active region									
Register Address (Hex)	Default (Hex)	DB7	DB6	DB5	DB4	DB3	DB2	DB1	DB0	Remark
05	00	LSB of Y-axis start position								
Description	Set the vertical start position of display active region									
Register Address (Hex)	Default (Hex)	DB7	DB6	DB5	DB4	DB3	DB2	DB1	DB0	Remark
06	00	MSB of Y-axis end position								
Description	set the vertical end position of display active region									
Register Address (Hex)	Default (Hex)	DB7	DB6	DB5	DB4	DB3	DB2	DB1	DB0	Remark
07	EF	LSB of Y-axis end position								
Description	Set the vertical end position of display active region									

To simplify the address control of display RAM access, the window area address function allows for writing data only within a window area of display RAM specified by registers REG[00]~REG[07].

**Preliminary**

The contents of this document are confidential and must not be disclosed wholly or in part to any third part without the prior written consent of AMPIRE CO., LTD

After writing data to the display RAM, the Address counter will be increased within setting window address-range which is specified by

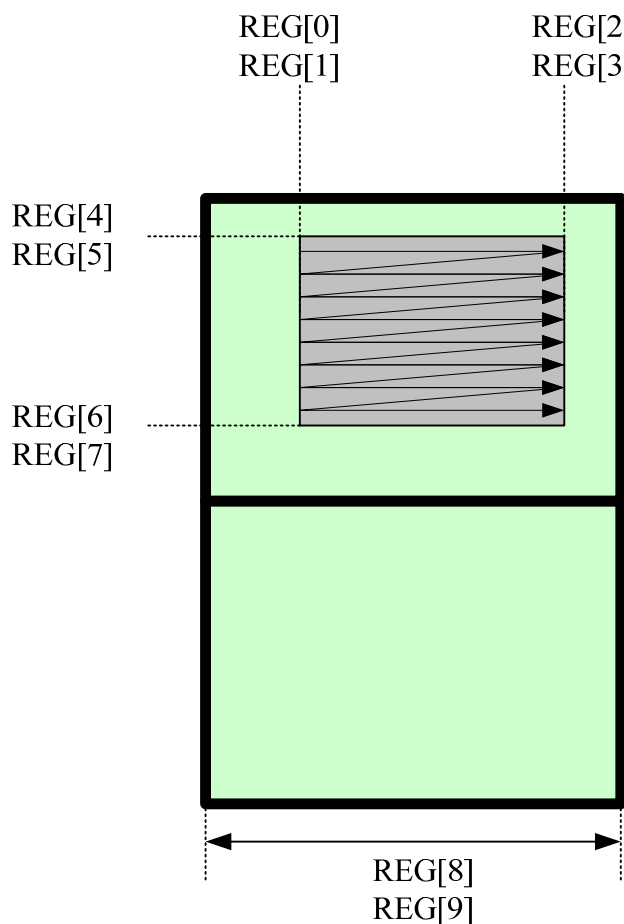
MIN X address (REG[0] & REG[1])

MAX X address (REG[2] & REG[3])

MIN Y address (REG[4] & REG[5])

MAX Y address (REG[6] & REG[7])

Therefore, data can be written consecutively without thinking the data address.



Register Address (Hex)	Default (Hex)	DB7	DB6	DB5	DB4	DB3	DB2	DB1	DB0	Remark
08	01	X	X	X	X	X	X	_PanelXSize H_Byte[1:0]		
Description	Set the panel X size									
Register Address (Hex)	Default (Hex)	DB7	DB6	DB5	DB4	DB3	DB2	DB1	DB0	Remark
09	40	_PanelXSize L_Byte[7:0]								
Description	Set the panel X size									

## Preliminary

The contents of this document are confidential and must not be disclosed wholly or in part to any third part without the prior written consent of AMPIRE CO., LTD

The register REG[08] and REG[09] is use to calculate the RAM address. If you want to use the TFT as Landscape mode (320x240), the REG[08] & RGE[09] must set to 320. If you want to use the TFT as Portrait mode (240x320), the REG[08] & RGE[09] must set to 240.

Register Address (Hex)	Default (Hex)	DB7	DB6	DB5	DB4	DB3	DB2	DB1	DB0	Remark
0A	00	X	X	X	X	X	[17:16] bits of memory write start address			
Description	Memory write start address									
Register Address (Hex)	Default (Hex)	DB7	DB6	DB5	DB4	DB3	DB2	DB1	DB0	Remark
0B	00	[15:8] bits of memory write start address								
Description	Memory write start address									
Register Address (Hex)	Default (Hex)	DB7	DB6	DB5	DB4	DB3	DB2	DB1	DB0	Remark
0C	00	[7:0] bits of memory write start address								
Description	Memory write start address									

Register Address (Hex)	Default (Hex)	DB7	DB6	DB5	DB4	DB3	DB2	DB1	DB0	Remark
0x10	0x0D	Bit_SWAP	OUT_TEST	BUS_SEL		Blanking	P/S_SEL	CLK_SEL		
Description	"0x10_Clk_sel[1:0]" : The TFT controller built-in 40Mhz PLL clock. These bits are for select the TFT panel dot clock frequency. 00 : 20Mhz 01: 10Mhz 02: 5 Mhz									
	"0x10_ps_sel[2]" : The TFT controller support parallel and serial RGB interface. These bits are for select the output timing. 0 : serial Panel 1: Parallel panel									
	"0x10_blanking_tmp[3]" 0 : OFF (blanking) 1: ON ( normal operation)									
	"0x10_bus_sel[5:4]" : It only for serial Panel 00=R , 01=G , 10=B									
	"0x10_out_test[6]" : Self test 0 : normal operation 1: for test (don't use for normal operation) When set the bit to "1" , the Rout=(Reg 2a[6:0]) Gout=(Reg 2b[6:0]) Bout=(Reg 2c[6:0])									
	"0x10_bit_swap[7]" : 0-normal									
	The default setting is suitable for AM320240N1. Don't need to modify it.									

**Preliminary**

The contents of this document are confidential and must not be disclosed wholly or in part to any third part without the prior written consent of AMPIRE CO., LTD

Register Address (Hex)	Default (Hex)	DB7	DB6	DB5	DB4	DB3	DB2	DB1	DB0	Remark
0x11	00	X	X	EVEN			_ODD			
Description	<p>" Even line of serial panel data out sequence or data bus order of parallel panel  <b>000: RGB</b>            001: RBG            010: GRB            011: GBR            100: BRG            101: BGR            Others: reserved</p> <p>Odd line of serial panel data out sequence            000: RGB            001: RBG            010: GRB            011: GBR            100: BRG  <b>101: BGR</b>            Others: reserved  <b>Must Set to 0x05 for AM320240N1</b></p>									

Register Address (Hex)	Default (Hex)	DB7	DB6	DB5	DB4	DB3	DB2	DB1	DB0	Remark
0x12	00					Hsync_stH_Byte[3:0]				
Description	<p>For TFT output timing adjust:            Hsync start position H-Byte            The default setting is suitable for AM320240N1. Don't need to modify it.</p>									
Register Address (Hex)	Default (Hex)	DB7	DB6	DB5	DB4	DB3	DB2	DB1	DB0	Remark
0x13	00	Hsync_stL_Byte[7:0]								
Description	<p>For TFT output timing adjust:            Hsync start position L-Byte            The default setting is suitable for AM320240N1. Don't need to modify it.</p>									
Register Address (Hex)	Default (Hex)	DB7	DB6	DB5	DB4	DB3	DB2	DB1	DB0	Remark
0x14	00					Hsync_pwH_Byte[3:0]				
Description	<p>For TFT output timing adjust:            Hsync pulse width H-Byte            The default setting is suitable for AM320240N1. Don't need to modify it.</p>									
Register Address (Hex)	Default (Hex)	DB7	DB6	DB5	DB4	DB3	DB2	DB1	DB0	Remark
0x15	10	Hsync_pwL_Byte[7:0]								



**Preliminary**

The contents of this document are confidential and must not be disclosed wholly or in part to any third part without the prior written consent of AMPIRE CO., LTD

Description	For TFT output timing adjust: Hsync pulse width L-Byte The default setting is suitable for AM320240N1. Don't need to modify it.									
Register Address (Hex)	Default (Hex)	DB7	DB6	DB5	DB4	DB3	DB2	DB1	DB0	Remark
0x16	00					Hact_stH_Byte[3:0]				
Description	For TFT output timing adjust: DE pulse start position H-Byte The default setting is suitable for AM320240N1. Don't need to modify it.									
Register Address (Hex)	Default (Hex)	DB7	DB6	DB5	DB4	DB3	DB2	DB1	DB0	Remark
0x17	38	Hact_stL_Byte[7:0]								
Description	For TFT output timing adjust: DE pulse start position L-Byte The default setting is suitable for AM320240N1. Don't need to modify it.									
Register Address (Hex)	Default (Hex)	DB7	DB6	DB5	DB4	DB3	DB2	DB1	DB0	Remark
0x18	01					Hact_pwH_Byte[3:0]				
Description	For TFT output timing adjust: DE pulse width H-Byte The default setting is suitable for AM320240N1. Don't need to modify it.									
Register Address (Hex)	Default (Hex)	DB7	DB6	DB5	DB4	DB3	DB2	DB1	DB0	Remark
0x19	40	Hact_pwL_Byte[7:0]								
Description	For TFT output timing adjust: DE pulse width L-Byte The default setting is suitable for AM320240N1. Don't need to modify it.									

Register Address (Hex)	Default (Hex)	DB7	DB6	DB5	DB4	DB3	DB2	DB1	DB0	Remark
0x1A	01					HtotalH_Byte[3:0]				
Description	For TFT output timing adjust: Hsync total clocks H-Byte The default setting is suitable for AM320240N1. Don't need to modify it.									
Register Address (Hex)	Default (Hex)	DB7	DB6	DB5	DB4	DB3	DB2	DB1	DB0	Remark
0x1B	B8	HtotalL_Byte[7:0]								
Description	For TFT output timing adjust: Hsync total clocks H-Byte The default setting is suitable for AM320240N1. Don't need to modify it.									

**Preliminary**

The contents of this document are confidential and must not be disclosed wholly or in part to any third part without the prior written consent of AMPIRE CO., LTD

Register Address (Hex)	Default (Hex)	DB7	DB6	DB5	DB4	DB3	DB2	DB1	DB0	Remark	
0x1C	00					Vsync_stH_Byte[3:0]					
Description	For TFT output timing adjust: Vsync start position H-Byte The default setting is suitable for AM320240N1. Don't need to modify it.										
Register Address (Hex)	Default (Hex)	DB7	DB6	DB5	DB4	DB3	DB2	DB1	DB0	Remark	
0x1D	00	Vsync_stL_Byte[7:0]									
Description	For TFT output timing adjust: Vsync start position L-Byte The default setting is suitable for AM320240N1. Don't need to modify it.										
Register Address (Hex)	Default (Hex)	DB7	DB6	DB5	DB4	DB3	DB2	DB1	DB0	Remark	
0x1E	00					Vsync_pwH_Byte[3:0]					
Description	For TFT output timing adjust: Vsync pulse width H-Byte The default setting is suitable for AM320240N1. Don't need to modify it.										
Register Address (Hex)	Default (Hex)	DB7	DB6	DB5	DB4	DB3	DB2	DB1	DB0	Remark	
0x1F	08	Vsync_pwL_Byte[7:0]									
Description	For TFT output timing adjust: Vsync pulse width L-Byte The default setting is suitable for AM320240N1. Don't need to modify it.										
Register Address (Hex)	Default (Hex)	DB7	DB6	DB5	DB4	DB3	DB2	DB1	DB0	Remark	
0x20	00					Vact_stH_Byte[3:0]					
Description	For TFT output timing adjust: Vertical DE pulse start position H-Byte The default setting is suitable for AM320240N1. Don't need to modify it.										
Register Address (Hex)	Default (Hex)	DB7	DB6	DB5	DB4	DB3	DB2	DB1	DB0	Remark	
0x21	12	Vact_stL_Byte[7:0]									
Description	For TFT output timing adjust: Vertical DE pulse start position L-Byte The default setting is suitable for AM320240N1. Don't need to modify it.										
Register Address (Hex)	Default (Hex)	DB7	DB6	DB5	DB4	DB3	DB2	DB1	DB0	Remark	
0x22	00					Vact_pwH_Byte[3:0]					
Description	For TFT output timing adjust: Vertical Active width H-Byte The default setting is suitable for AM320240N1. Don't need to modify it.										

**Preliminary**

The contents of this document are confidential and must not be disclosed wholly or in part to any third part without the prior written consent of AMPIRE CO., LTD

Register Address (Hex)	Default (Hex)	DB7	DB6	DB5	DB4	DB3	DB2	DB1	DB0	Remark
0x23	F0	Vact_pwL_Byte[7:0]								
Description	For TFT output timing adjust: Vertical Active width H-Byte The default setting is suitable for AM320240N1. Don't need to modify it.									
Register Address (Hex)	Default (Hex)	DB7	DB6	DB5	DB4	DB3	DB2	DB1	DB0	Remark
0x24	01	VtotalH_Byte[3:0]								
Description	For TFT output timing adjust: Vertical total width H-Byte The default setting is suitable for AM320240N1. Don't need to modify it.									
Register Address (Hex)	Default (Hex)	DB7	DB6	DB5	DB4	DB3	DB2	DB1	DB0	Remark
0x25	09	VtotalL_Byte[7:0]								
Description	For TFT output timing adjust: Vertical total width L-Byte The default setting is suitable for AM320240N1. Don't need to modify it.									

Register Address (Hex)	Default (Hex)	DB7	DB6	DB5	DB4	DB3	DB2	DB1	DB0	Remark
26	00	X	X	X	X	X	[17:16] bits of memory read start address			
Description	Memory read start address									
Register Address (Hex)	Default (Hex)	DB7	DB6	DB5	DB4	DB3	DB2	DB1	DB0	Remark
27	00	[15:8] bits of memory write start address								
Description	Memory read start address									
Register Address (Hex)	Default (Hex)	DB7	DB6	DB5	DB4	DB3	DB2	DB1	DB0	Remark
28	00	[7:0] bits of memory write start address								
Description	Memory read start address									

Register Address (Hex)	Default (Hex)	DB7	DB6	DB5	DB4	DB3	DB2	DB1	DB0	Remark
29	00	[7:1] Reversed								
Description	[0] Load output timing related setting (H sync., V sync. and DE) to take effect									

**Preliminary**

The contents of this document are confidential and must not be disclosed wholly or in part to any third part without the prior written consent of AMPIRE CO., LTD

Register Address (Hex)	Default (Hex)	DB7	DB6	DB5	DB4	DB3	DB2	DB1	DB0	Remark	
0x2A	00	X	TestPatternRout[6:0]								
Description	When " REG[0x10]_out_test[6]" : Self test =1 ; The Rout data equal to TestPatternRout[6:0]										
Register Address (Hex)	Default (Hex)	DB7	DB6	DB5	DB4	DB3	DB2	DB1	DB0	Remark	
0x2B	00	X	TestPatternGout[6:0]								
Description	When " REG[0x10]_out_test[6]" : Self test =1 ; The Gout data equal to TestPatternGout[6:0]										
Register Address (Hex)	Default (Hex)	DB7	DB6	DB5	DB4	DB3	DB2	DB1	DB0	Remark	
0x2C	00	X	TestPatternBout[6:0]								
Description	When " REG[0x10]_out_test[6]" : Self test =1 ; The Bout data equal to TestPatternBout[6:0]										

If you set the " REG[0x10]\_out\_test[6]" : Self test =1 , the TFT controller will skip the connect of the display RAM. The Output port will send the REG[2A] ,REG[2B],REG[2C] data.

REG[2A]=0x3F  
REG[2B]=0x00  
REG[2C]=0x00

REG[2A]=0x00  
REG[2B]=0x3F  
REG[2C]=0x00

REG[2A]=0x00  
REG[2B]=0x00  
REG[2C]=0x3F

Register Address (Hex)	Default (Hex)	DB7	DB6	DB5	DB4	DB3	DB2	DB1	DB0	Remark
0x2D	00	X	X	X	X	[3]	Rising/falling edge[2]	_rotate [1:0]		
Description	[3] Output pin X_DCON level control ; TFT Power ON/OFF control 0: TFT POWER circuit OFF 1: TFT POWER circuit ON  Rising/falling edge[2] : 0: The RGB out put data are on the Rising edge of the DCLK. 1: The RGB out put data are on the Falling edge of the DCLK.  _rotate [1:0]: 00 : rotate 0 degree 01 : rotate90 degree 10 : rotate 270 degree 11 : rotate 180 degree									

**Preliminary**

The contents of this document are confidential and must not be disclosed wholly or in part to any third part without the prior written consent of AMPIRE CO., LTD

Register Address (Hex)	Default (Hex)	DB7	DB6	DB5	DB4	DB3	DB2	DB1	DB0	Remark
30	00	X	X	X	X	X	_H byte H-Offset[3:0]			
Description	Set the Horizontal offset									
Register Address (Hex)	Default (Hex)	DB7	DB6	DB5	DB4	DB3	DB2	DB1	DB0	Remark
31	00	_L byte H-Offset[7:0]								
Description	Set the Horizontal offset									

Register Address (Hex)	Default (Hex)	DB7	DB6	DB5	DB4	DB3	DB2	DB1	DB0	Remark
32	00	X	X	X	X	X	_H byte V-Offset[3:0]			
Description	Set the Vertical offset									
Register Address (Hex)	Default (Hex)	DB7	DB6	DB5	DB4	DB3	DB2	DB1	DB0	Remark
33	00	_L byte V-Offset[7:0]								
Description	Set the Vertical offset									

Register Address (Hex)	Default (Hex)	DB7	DB6	DB5	DB4	DB3	DB2	DB1	DB0	Remark
34	00	[7:4] Reserved					_H byte H-def[3:0]			
Description	[3:0] MSB of image horizontal physical resolution in memory									
Register Address (Hex)	Default (Hex)	DB7	DB6	DB5	DB4	DB3	DB2	DB1	DB0	Remark
35	40	_L byte H-def[7:0]								
Description	[7:0] LSB of image horizontal physical resolution in memory									

## Preliminary

The contents of this document are confidential and must not be disclosed wholly or in part to any third part without the prior written consent of AMPIRE CO., LTD

Register Address (Hex)	Default (Hex)	DB7	DB6	DB5	DB4	DB3	DB2	DB1	DB0	Remark	
36	01	[7:4] Reserved					_H byte V-def[3:0]				
Description	[3:0] MSB of image vertical physical resolution in memory										
Register Address (Hex)	Default (Hex)	DB7	DB6	DB5	DB4	DB3	DB2	DB1	DB0	Remark	
37	E0	_L byte V-def[7:0]									
Description	[7:0] LSB of image vertical physical resolution in memory										

The total RAM size is 640x240x18bit. The user can arrange the Horizontal ram size by REG[34],REG[35] and the Vertical ram size by REG[36],REG[37].

EX: 320x480x18bit REG[34]=0x01 , REG[35]=0x40 , REG[36]=0x01 , REG[37]=0xE0

EX: 640x240x18bit. REG[34]=0x02 , REG[35]=0x80 , REG[36]=0x00 , REG[37]=0xF0

## 10 Application Note:

```
void main(void)
```

```
{  
    Initial_AMP506 ( );  
    Full_386SCR(0xf800);  
    Full_386SCR(0x07e0);  
    Full_386SCR(0x001f);  
}
```

```
void AMP506_80Mode_Command_SendAddress(BYTE Addr)
```

```
{  
    SET_nRD;           // /RD=1  
    CLR_RS;            // RS=0  
    CLR_CS1;          // /CS=0  
    CLR_nWRL;         // /WR=0  
    DB16OUT(Addr);    // Data Bus OUT  
    SET_nWRL;         // //WR=1 /  
    SET_RS;           // RS=1  
    SET_CS1;          // CS=1  
}
```

## Preliminary

The contents of this document are confidential and must not be disclosed wholly or in part to any third part without the prior written consent of AMPIRE CO., LTD

---

```
void AMP506_80Mode_Command_SendData(BYTE Data)
```

```
{  
    SET_nRD;  
    SET_RS;  
    CLR_CS1;  
    CLR_nWRL;  
    DB16OUT(Data);  
    SET_nWRL;  
    SET_RS;  
    SET_CS1;  
}
```

```
void AMP506_Command_Write(uint8 CMD_Address,uint8 CMD_Value)
```

```
{  
    AMP506_80Mode_Command_SendAddress(CMD_Address);  
    AMP506_80Mode_Command_SendData(CMD_Value);  
}
```

```
void AMP506_80Mode_16Bit_Memory_SendData(uint16 Dat16bit)
```

```
{  
    SET_nRD;  
    SET_RS;  
    CLR_CS1;  
    CLR_nWRL;  
    DB16OUT(Dat16bit>>8);  
    SET_nWRL;           // Low to High Latch Data to AMP506 Buffer  
    SET_CS1;  
  
    SET_nRD;  
    SET_RS;  
    CLR_CS1;  
    CLR_nWRL;  
    DB16OUT(Dat16bit);  
    SET_nWRL;           // Low to High Latch Data to AMP506 Buffer  
    SET_CS1;
```

## Preliminary

The contents of this document are confidential and must not be disclosed wholly or in part to any third part without the prior written consent of AMPIRE CO., LTD

---

}

void Initial\_AMP506(void)

{

```
AMP506_Command_Write(0x40,0x12); /*[7:6] Reserved
                                     [5] PLL control pins to select out frequency range
                                     0: 20MHz ~ 100MHz 1: 100MHz ~ 300MHz
                                     [4] Reserved [3] Reserved
                                     [2:1] Output Driving Capability
                                     00: 4mA 01: 8mA 10: 12mA 11: 16mA
                                     [0] Output slew rate
                                     0: Fast 1: Slow
                                     */
AMP506_Command_Write(0x41,0x01);      //Set PLL=40Mhz * (0x42) / (0x41)
AMP506_Command_Write(0x42,0x01);      //0x41 [7:6] Reserved [5:0] PLL Programmable
                                     pre-divider, 6bit(1~63)
                                     //0x42 [7:6] Reserved [5:0] PLL Programmable loop
                                     divider, 6bit(1~63)
AMP506_Command_Write(0x00,0x00);      // MSB of horizontal start coordinate value
AMP506_Command_Write(0x01,0x00);      // LSB of horizontal start coordinate value
AMP506_Command_Write(0x02,0x01);      // MSB of horizontal end coordinate value
AMP506_Command_Write(0x03,0x3F);      // LSB of horizontal end coordinate value
AMP506_Command_Write(0x04,0x00);      // MSB of vertical start coordinate value
AMP506_Command_Write(0x05,0x00);      // LSB of vertical start coordinate value
AMP506_Command_Write(0x06,0x01);      // MSB of vertical end coordinate value
AMP506_Command_Write(0x07,0x3F);      // LSB of vertical end coordinate value

AMP506_Command_Write(0x08,0x01);      // MSB of input image horizontal resolution
AMP506_Command_Write(0x09,0x40);      // LSB of input image horizontal resolution
AMP506_Command_Write(0x0a,0x00);      //[17:16] bits of memory write start address
AMP506_Command_Write(0x0b,0x00);      //[15:8] bits of memory write start address
AMP506_Command_Write(0x0c,0x00);      //[7:0] bits of memory write start address

AMP506_Command_Write(0x10,0x0D);      /*[7] Output data bits swap      0: Normal 1:Swap
                                     [6] Output test mode enable 0: disable 1: enable
                                     [5:4] Serial mode data out bus selection
                                     00: X_ODATA17 ~ X_ODATA12 active , others are set to
```



## Preliminary

The contents of this document are confidential and must not be disclosed wholly or in part to any third part without the prior written consent of AMPIRE CO., LTD

---

zero

01: X\_ODATA11 ~ X\_ODATA06 active , others are set to

zero

10: X\_ODATA05 ~ X\_ODATA00 active , others are set to

zero

11: reserved

[3] Output data blanking

0: set output data to 0    **1: Normal display**

[2] Parallel or serial mode selection

0: serial data out        **1: parallel data output**

[1:0] Output clock selection

00: system clock divided by 2

**01: system clock divided by 4**

10: system clock divided by 8

11: reserved \*/

AMP506\_Command\_Write(0x11,0x05);

/\*[7] Reserved

[6:4] Even line of serial panel data out sequence or data bus order of parallel panel

000: RGB    001: RBG    010: GRB    011: GBR    100: BRG    101: BGR    Others:

reserved

[3] Reversed

[2:0] Odd line of serial panel data out sequence

000: RGB    001: RBG    010: GRB    011: GBR    100: BRG    **101: BGR**    Others:

reserved \*/

AMP506\_Command\_Write(0x12,0x00);    // [3:0] MSB of output H sync. pulse start

position

AMP506\_Command\_Write(0x13,0x00);    //[7:0] LSB of output H sync. pulse start position

AMP506\_Command\_Write(0x14,0x00);    // [3:0] MSB of output H sync. pulse width

AMP506\_Command\_Write(0x15,0x10);        //[7:0] LSB of output H sync. pulse width

AMP506\_Command\_Write(0x16,0x00);        //[3:0] MSB of output DE horizontal start

position

AMP506\_Command\_Write(0x17,0x38);        //[7:0] LSB of output DE horizontal start

position

AMP506\_Command\_Write(0x18,0x01);    //[3:0] MSB of output DE horizontal active region in

pixel

AMP506\_Command\_Write(0x19,0x40);    //[7:0] LSB of output DE horizontal active region

## Preliminary

The contents of this document are confidential and must not be disclosed wholly or in part to any third part without the prior written consent of AMPIRE CO., LTD

---

### in pixel

AMP506\_Command\_Write(0x1a,0x01); // [7:4] Reserved [3:0] MSB of output H total in

### pixel

AMP506\_Command\_Write(0x1b,0xb8); // [7:0] LSB of output H total in pixel

AMP506\_Command\_Write(0x1c,0x00); // [3:0] MSB of output V sync. pulse start

### position

AMP506\_Command\_Write(0x1d,0x00); // [7:0] of output V sync. pulse start position

AMP506\_Command\_Write(0x1e,0x00); // [7:4] Reserved [3:0] MSB of output V sync.

### pulse width

AMP506\_Command\_Write(0x1f,0x08); // [7:0] LSB of output V sync. pulse width

AMP506\_Command\_Write(0x20,0x00); // [3:0] MSB of output DE vertical start position

AMP506\_Command\_Write(0x21,0x12); // [7:0] LSB of output DE vertical start position

AMP506\_Command\_Write(0x22,0x00); // [3:0] MSB of output DE vertical active region

### in line

AMP506\_Command\_Write(0x23,0xf0); // [7:0] LSB of output DE vertical active region

### in line

AMP506\_Command\_Write(0x24,0x01); // [7:4] Reversed [3:0] MSB of output V total in

### line

AMP506\_Command\_Write(0x25,0x09); // [7:0] LSB of output V total in line

AMP506\_Command\_Write(0x26,0x00); // [17:16] bits of memory read start address

AMP506\_Command\_Write(0x27,0x00); // [7:0] [15:8] bits of memory read start address

AMP506\_Command\_Write(0x28,0x00); // [7:0] [7:0] bits of memory read start address

AMP506\_Command\_Write(0x29,0x01);

// [7:1] Reversed [0] Load output timing related setting (H sync., V sync. and DE) to take effect

AMP506\_Command\_Write(0x2d,0x08); /\* [7:4] Reserved

[3] Output pin X\_DCON level control

[2] Output clock inversion 0: Normal 1: Inverse

[1:0] Image rotate

00: 0° 01: 90° 10: 270° 11: 180°

\*/

AMP506\_Command\_Write(0x30,0x00); // [7:4] Reserved [3:0] MSB of image horizontal shift

### value

AMP506\_Command\_Write(0x31,0x00); // [7:0] LSB of image horizontal shift value

AMP506\_Command\_Write(0x32,0x00); // [7:4] Reserved [3:0] MSB of image vertical shift

### value

AMP506\_Command\_Write(0x33,0x00); // [7:0] LSB of image vertical shift value

AMP506\_Command\_Write(0x34,0x01);

// [3:0] MSB of image horizontal physical Resolution in memory

## Preliminary

The contents of this document are confidential and must not be disclosed wholly or in part to any third part without the prior written consent of AMPIRE CO., LTD

---

```
AMP506_Command_Write(0x35,0x40);
```

```
//[7:0] LSB of image horizontal physical resolution in memory
```

```
AMP506_Command_Write(0x36,0x01);
```

```
//[7:4] Reserved [3:0] MSB of image vertical physical resolution in memory
```

```
AMP506_Command_Write(0x37,0xe0);
```

```
//[7:0] LSB of image vertical physical resolution in memory
```

```
}
```

```
void AMP506_WindowSet(uint16 S_X,uint16 S_Y,uint16 E_X,uint16 E_Y)
```

```
{
```

```
AMP506_80Mode_Command_SendAddress(0x00);
```

```
AMP506_80Mode_Command_SendData((S_X)>>8);
```

```
AMP506_80Mode_Command_SendData(S_X);
```

```
AMP506_80Mode_Command_SendData((E_X-1)>>8);
```

```
AMP506_80Mode_Command_SendData(E_X-1);
```

```
AMP506_80Mode_Command_SendData(S_Y>>8);
```

```
AMP506_80Mode_Command_SendData(S_Y);
```

```
AMP506_80Mode_Command_SendData((E_Y-1)>>8);
```

```
AMP506_80Mode_Command_SendData(E_Y-1);
```

```
}
```

```
void Full_386SCR(uint16 Dat16bit)
```

```
{
```

```
int32 k,l;
```

```
AMP506_WindowSet(0,0,Resolution_X,Resolution_Y);
```

```
AMP506_80Mode_Command_SendAddress(0xc1); // _DisplayRAM_WriteEnable_
```

```
for(k=0;k<240*2;k++)
```

```
{
```

```
for(l=0;l<320;l++)
```

```
{
```

```
AMP506_80Mode_16Bit_Memory_SendData(Dat16bit);
```

```
}
```

```
}
```

```
AMP506_80Mode_Command_SendAddress(0x80); // DisplayRAM_WriteDisable _
```

```
}
```

## Preliminary

The contents of this document are confidential and must not be disclosed wholly or in part to any third part without the prior written consent of AMPIRE CO., LTD

The TFT LCD controller default value is for AM320240N1 already. So we can start to write our data in a few steps:

Target: To write a 640x240 data to Display RAM and scroll the display data by change the Horizontal offset register.

10.1 Step 1: Make sure the interface Protocol.

10.2 Step 2: Define the Horizontal ram seize = 640 and Vertical ram size =240  
640x240x18bit. REG[34]=0x02 , REG[35]=0x80 , REG[36]=0x00 ,

REG[37]=0xF0

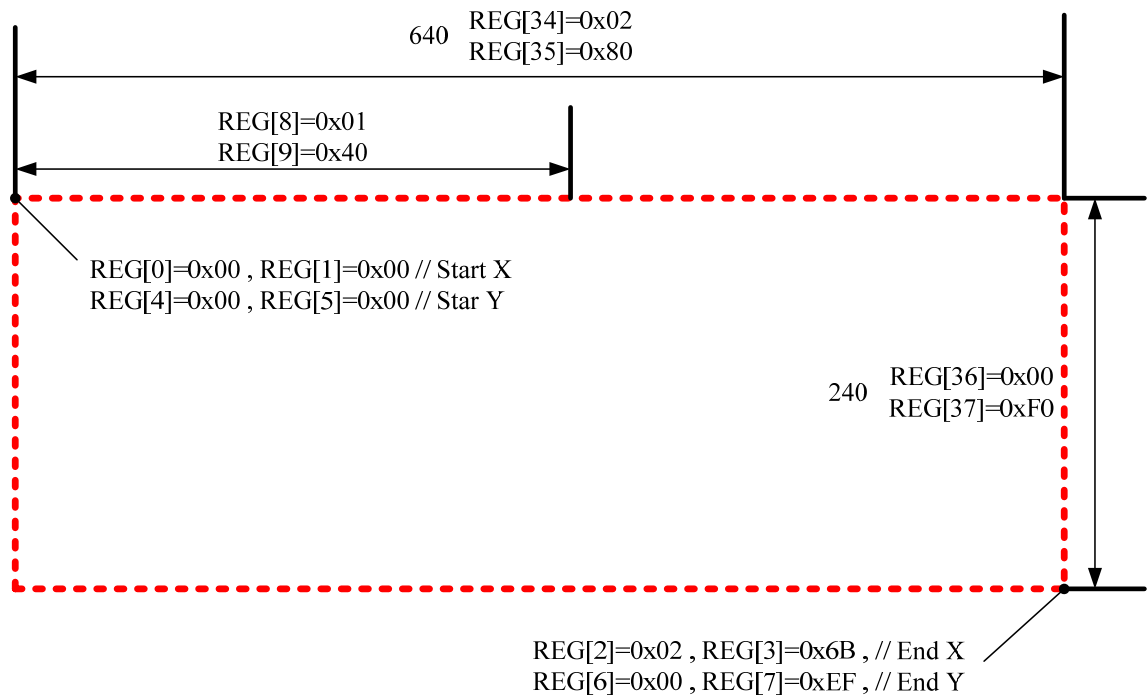
10.3 Step 3: Define the Panel X Size = 320

REG[8]=0x01 , REG[9]=0x40

10.4 Step4: Define the Write window. Start=(0,0) End=(619,239)

REG[0]=0x00 , REG[1]=0x00 , REG[2]=0x02 , REG[3]=0x6B , // Start X , End X

REG[4]=0x00 , REG[5]=0x00 , REG[6]=0x00 , REG[7]=0xEF , // Star Y ,End Y



**Preliminary**

The contents of this document are confidential and must not be disclosed wholly or in part to any third part without the prior written consent of AMPIRE CO., LTD

10.5 Step5: Write the 640x240x18 bit data consecutively



10.6 Step6: The display will show the following image.



10.7 Step7: Change the Horizontal offset to switch or scroll the display data. Set the Horizontal offset = 160 , REG[30]=00 REG[31]=A0 . You will see



## Preliminary

The contents of this document are confidential and must not be disclosed wholly or in part to any third part without the prior written consent of AMPIRE CO., LTD

---

10.8 Step8: Change the Horizontal offset to switch or scroll the display data.

Set the Horizontal offset = 320 , REG[30]=01 REG[31]=40 . You will see



**Preliminary**

The contents of this document are confidential and must not be disclosed wholly or in part to any third part without the prior written consent of AMPIRE CO., LTD

**DISPLAYED COLOR AND INPUT DATA**

	Color & Gray Scale	DATA SIGNAL																	
		R5	R4	R3	R2	R1	R0	G5	G4	G3	G2	G1	G0	B5	B4	B3	B2	B1	B0
Basic Color	Black	0	0	0	0	0	0	0	0	0	0	0	0	0	0	0	0	0	0
	Red(0)	1	1	1	1	1	1	0	0	0	0	0	0	0	0	0	0	0	0
	Green(0)	0	0	0	0	0	0	0	1	1	1	1	1	0	0	0	0	0	0
	Blue(0)	0	0	0	0	0	0	0	0	0	0	0	0	1	1	1	1	1	1
	Cyan	0	0	0	0	0	0	1	1	1	1	1	1	1	1	1	1	1	1
	Magenta	1	1	1	1	1	1	0	0	0	0	0	0	1	1	1	1	1	1
	Yellow	1	1	1	1	1	1	1	1	1	1	1	1	0	0	0	0	0	0
	White	1	1	1	1	1	1	1	1	1	1	1	1	1	1	1	1	1	1
Red	Black	0	0	0	0	0	0	0	0	0	0	0	0	0	0	0	0	0	0
	Red(62)	0	0	0	0	0	1	0	0	0	0	0	0	0	0	0	0	0	0
	Red(61)	0	0	0	0	0	1	0	0	0	0	0	0	0	0	0	0	0	0
	:	:	:	:	:	:	:	:	:	:	:	:	:	:	:	:	:	:	:
	Red(31)	0	1	1	1	1	1	0	0	0	0	0	0	0	0	0	0	0	0
	:	:	:	:	:	:	:	:	:	:	:	:	:	:	:	:	:	:	:
Red(1)	1	1	1	1	1	0	0	0	0	0	0	0	0	0	0	0	0	0	
Red(0)	1	1	1	1	1	1	0	0	0	0	0	0	0	0	0	0	0	0	
Green	Black	0	0	0	0	0	0	0	0	0	0	0	0	0	0	0	0	0	0
	Green(62)	0	0	0	0	0	0	0	0	0	0	0	1	0	0	0	0	0	0
	Green(61)	0	0	0	0	0	0	0	0	0	0	0	1	0	0	0	0	0	0
	:	:	:	:	:	:	:	:	:	:	:	:	:	:	:	:	:	:	:
	Green(31)	0	0	0	0	0	0	0	1	1	1	1	0	0	0	0	0	0	0
	:	:	:	:	:	:	:	:	:	:	:	:	:	:	:	:	:	:	:
Green(1)	0	0	0	0	0	0	1	1	1	1	1	0	0	0	0	0	0	0	
Green(0)	0	0	0	0	0	0	1	1	1	1	1	1	0	0	0	0	0	0	
Blue	Black	0	0	0	0	0	0	0	0	0	0	0	0	0	0	0	0	0	0
	Blue(62)	0	0	0	0	0	0	0	0	0	0	0	0	0	0	0	0	0	1
	Blue(61)	0	0	0	0	0	0	0	0	0	0	0	0	0	0	0	0	0	1
	:	:	:	:	:	:	:	:	:	:	:	:	:	:	:	:	:	:	:
	Blue(31)	0	0	0	0	0	0	0	0	0	0	0	0	0	1	1	1	1	1
	:	:	:	:	:	:	:	:	:	:	:	:	:	:	:	:	:	:	:
Blue(1)	0	0	0	0	0	0	0	0	0	0	0	0	1	1	1	1	1	0	
Blue(0)	0	0	0	0	0	0	0	0	0	0	0	0	1	1	1	1	1	1	

## Preliminary

The contents of this document are confidential and must not be disclosed wholly or in part to any third part without the prior written consent of AMPIRE CO., LTD

---

# 11 QUALITY AND RELIABILITY

## 11.1 TEST CONDITIONS

Tests should be conducted under the following conditions :

Ambient temperature :  $25 \pm 5^{\circ}\text{C}$

Humidity :  $60 \pm 25\% \text{ RH}$ .

## 11.2 SAMPLING PLAN

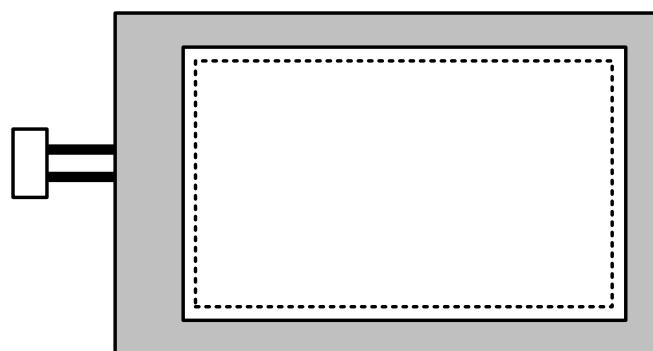
Sampling method shall be in accordance with MIL-STD-105E , level II, normal single sampling plan .

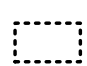
## 11.3 ACCEPTABLE QUALITY LEVEL

A major defect is defined as one that could cause failure to or materially reduce the usability of the unit for its intended purpose. A minor defect is one that does not materially reduce the usability of the unit for its intended purpose or is an infringement from established standards and has no significant bearing on its effective use or operation.

## 11.4 APPEARANCE

An appearance test should be conducted by human sight at approximately 30 cm distance from the LCD module under fluorescent light. The inspection area of LCD panel shall be within the range of following limits.



 Zone A ( Active Area)

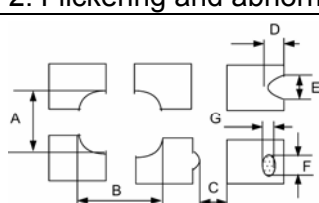
 Zone B ( Viewing Area)



**Preliminary**

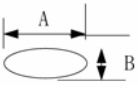
The contents of this document are confidential and must not be disclosed wholly or in part to any third part without the prior written consent of AMPIRE CO., LTD

**11.5 INSPECTION QUALITY CRITERIA**

No.	Item	Criterion for defects	Defect type															
1	Non display	No non display is allowed	Major															
2	Irregular operation	No irregular operation is allowed	Major															
3	Short	No short are allowed	Major															
4	Open	Any segments or common patterns that don't activate are rejectable.	Major															
5	Black/White spot (I)	<table border="1"> <thead> <tr> <th>Size D (mm)</th> <th>Acceptable number</th> </tr> </thead> <tbody> <tr> <td><math>D \leq 0.15</math></td> <td>Ignore</td> </tr> <tr> <td><math>0.15 &lt; D \leq 0.20</math></td> <td>3</td> </tr> <tr> <td><math>0.20 &lt; D \leq 0.30</math></td> <td>2</td> </tr> <tr> <td><math>0.30 &lt; D</math></td> <td>0</td> </tr> </tbody> </table>	Size D (mm)	Acceptable number	$D \leq 0.15$	Ignore	$0.15 < D \leq 0.20$	3	$0.20 < D \leq 0.30$	2	$0.30 < D$	0	Minor					
Size D (mm)	Acceptable number																	
$D \leq 0.15$	Ignore																	
$0.15 < D \leq 0.20$	3																	
$0.20 < D \leq 0.30$	2																	
$0.30 < D$	0																	
6	Black/White line (I)	<table border="1"> <thead> <tr> <th>Length(mm)</th> <th>Width (mm)</th> <th>Acceptable number</th> </tr> </thead> <tbody> <tr> <td><math>10 &lt; L</math></td> <td><math>0.03 &lt; W \leq 0.04</math></td> <td>5</td> </tr> <tr> <td><math>5.0 &lt; L \leq 10</math></td> <td><math>0.04 &lt; W \leq 0.06</math></td> <td>3</td> </tr> <tr> <td><math>1.0 &lt; L \leq 5.0</math></td> <td><math>0.06 &lt; W \leq 0.07</math></td> <td>2</td> </tr> <tr> <td><math>L \leq 1.0</math></td> <td><math>0.07 &lt; W \leq 0.09</math></td> <td>1</td> </tr> </tbody> </table>	Length(mm)	Width (mm)	Acceptable number	$10 < L$	$0.03 < W \leq 0.04$	5	$5.0 < L \leq 10$	$0.04 < W \leq 0.06$	3	$1.0 < L \leq 5.0$	$0.06 < W \leq 0.07$	2	$L \leq 1.0$	$0.07 < W \leq 0.09$	1	Minor
Length(mm)	Width (mm)	Acceptable number																
$10 < L$	$0.03 < W \leq 0.04$	5																
$5.0 < L \leq 10$	$0.04 < W \leq 0.06$	3																
$1.0 < L \leq 5.0$	$0.06 < W \leq 0.07$	2																
$L \leq 1.0$	$0.07 < W \leq 0.09$	1																
7	Black/White sport (II)	<table border="1"> <thead> <tr> <th>Size D (mm)</th> <th>Acceptable number</th> </tr> </thead> <tbody> <tr> <td><math>D \leq 0.30</math></td> <td>Ignore</td> </tr> <tr> <td><math>0.30 &lt; D \leq 0.50</math></td> <td>5</td> </tr> <tr> <td><math>0.50 &lt; D \leq 1.20</math></td> <td>3</td> </tr> <tr> <td><math>1.20 &lt; D</math></td> <td>0</td> </tr> </tbody> </table>	Size D (mm)	Acceptable number	$D \leq 0.30$	Ignore	$0.30 < D \leq 0.50$	5	$0.50 < D \leq 1.20$	3	$1.20 < D$	0	Minor					
Size D (mm)	Acceptable number																	
$D \leq 0.30$	Ignore																	
$0.30 < D \leq 0.50$	5																	
$0.50 < D \leq 1.20$	3																	
$1.20 < D$	0																	
8	Black/White line (II)	<table border="1"> <thead> <tr> <th>Length (mm)</th> <th>Width (mm)</th> <th>Acceptable number</th> </tr> </thead> <tbody> <tr> <td><math>20 &lt; L</math></td> <td><math>0.05 &lt; W \leq 0.07</math></td> <td>5</td> </tr> <tr> <td><math>10 &lt; L \leq 20</math></td> <td><math>0.07 &lt; W \leq 0.09</math></td> <td>3</td> </tr> <tr> <td><math>5.0 &lt; L \leq 10</math></td> <td><math>0.09 &lt; W \leq 0.10</math></td> <td>2</td> </tr> <tr> <td><math>L \leq 5.0</math></td> <td><math>0.10 &lt; W \leq 0.15</math></td> <td>1</td> </tr> </tbody> </table>	Length (mm)	Width (mm)	Acceptable number	$20 < L$	$0.05 < W \leq 0.07$	5	$10 < L \leq 20$	$0.07 < W \leq 0.09$	3	$5.0 < L \leq 10$	$0.09 < W \leq 0.10$	2	$L \leq 5.0$	$0.10 < W \leq 0.15$	1	Minor
Length (mm)	Width (mm)	Acceptable number																
$20 < L$	$0.05 < W \leq 0.07$	5																
$10 < L \leq 20$	$0.07 < W \leq 0.09$	3																
$5.0 < L \leq 10$	$0.09 < W \leq 0.10$	2																
$L \leq 5.0$	$0.10 < W \leq 0.15$	1																
9	Back Light	1. No Lighting is rejectable 2. Flickering and abnormal lighting are rejectable	Major															
10	Display pattern	 <table border="1"> <thead> <tr> <th colspan="4">Unit:mm</th> </tr> </thead> <tbody> <tr> <td><math>\frac{A+B}{2} \leq 0.30</math></td> <td><math>0 &lt; C</math></td> <td><math>\frac{D+E}{2} \leq 0.25</math></td> <td><math>\frac{F+G}{2} \leq 0.25</math></td> </tr> </tbody> </table> <p>Note: 1. Acceptable up to 3 damages 2. NG if there're to two or more pinholes per dot</p>	Unit:mm				$\frac{A+B}{2} \leq 0.30$	$0 < C$	$\frac{D+E}{2} \leq 0.25$	$\frac{F+G}{2} \leq 0.25$	Minor							
Unit:mm																		
$\frac{A+B}{2} \leq 0.30$	$0 < C$	$\frac{D+E}{2} \leq 0.25$	$\frac{F+G}{2} \leq 0.25$															

**Preliminary**

The contents of this document are confidential and must not be disclosed wholly or in part to any third part without the prior written consent of AMPIRE CO., LTD

11	Blemish & Foreign matters  Size: $D = \frac{A+B}{2}$	Size D (mm)		Acceptable number	Minor
		$D \leq 0.15$	Ignore		
12	Scratch on Polarizer 	Width (mm)	Length (mm)	Acceptable number	Minor
		$W \leq 0.03$	Ignore	Ignore	
		$0.03 < W \leq 0.05$	$L \leq 2.0$	Ignore	
		$0.05 < W \leq 0.08$	$L > 2.0$	1	
		$0.08 < W$	$L > 1.0$	1	
13	Bubble in polarizer	Size D (mm)		Acceptable number	Minor
		$D \leq 0.20$	Ignore		
		$0.20 < D \leq 0.50$	3		
		$0.50 < D \leq 0.80$	2		
		$0.80 < D$	0		
14	Stains on LCD panel surface	Stains that cannot be removed even when wiped lightly with a soft cloth or similar cleaning too are rejectable.			Minor
15	Rust in Bezel	Rust which is visible in the bezel is rejectable.			Minor
16	Defect of land surface contact (poor soldering)	Evident crevices which is visible are rejectable.			Minor
17	Parts mounting	1. Failure to mount parts 2. Parts not in the specifications are mounted 3. Polarity, for example, is reversed			Major Major Major
18	Parts alignment	1. LSI, IC lead width is more than 50% beyond pad outline.			Minor
		2. Chip component is off center and more than 50% of the leads is off the pad outline.			Minor
19	Conductive foreign matter (Solder ball, Solder chips)	1. $0.45 < \varphi$ , $N \geq 1$			Major
		2. $0.30 < \varphi \leq 0.45$ , $N \geq 1$ $\varphi$ : Average diameter of solder ball (unit: mm)			Minor
		3. $0.50 < L$ , $N \geq 1$ L: Average length of solder chip (unit: mm)			Minor
20	Faulty PCB correction	1. Due to PCB copper foil pattern burnout, the pattern is connected, using a jumper wire for repair; 2 or more places are corrected per PCB.			Minor
		2. Short circuited part is cut, and no resist coating has been performed.			Minor

## Preliminary

The contents of this document are confidential and must not be disclosed wholly or in part to any third part without the prior written consent of AMPIRE CO., LTD

21	Defect Dot	The TFT panel may have bright dot or Dark dot. The acceptable number defection:				Minor
		Bright dot	Dark dot	Total dot	Distance between Dark-- dark	
		2	3	4	$L \geq 5$ mm	

## 12 Reliability test items (Note2):

No.	Test items	Conditions	Remark
1	High temperature storage	Ta=80°C 240Hrs	
2	Low temperature storage	Ta=-30°C 240Hrs	
3	High temperature operation	Ta=70°C 240Hrs	
4	Low temperature operation	Ta=-20°C 240Hrs	
5	High temperature and high humidity	Ta=40°C,85% RH 240Hrs	Operation
6	Heat shock	-30°C~80°C/200 cycles 1Hrs/cycle	Non-operation
7	Electrostatic discharge	±200V,200Pf(0Ω),once for each terminal	Non-operation
8	Vibration	Frequency range :8~33.3Hz Stoke :1.3mm Sweep :2.9G,33.3~400Hz Cycle :15 minutes 2 hours for each direction of X,Z 4 hours for Y direction	JIS C7021, A-10 Condition A
9	Mechanical shock	100G, 6ms,±X, ±Y,±Z 3 times for each direction	JIS C7021, A-7 Condition C
10	Vibration (With carton)	Random vibration: 0.015G <sup>2</sup> /Hz from 5~200Hz -6dB/octave from 200~500Hz	IEC 68~34
11	Drop (with carton)	Height:60cm 1 corner,3 edges,6 surfaces	JIS Z0202

## **Preliminary**

The contents of this document are confidential and must not be disclosed wholly or in part to any third part without the prior written consent of AMPIRE CO., LTD

---

# **13 USE PRECAUTIONS**

## **13.1 Handling precautions**

- 1) The polarizing plate may break easily so be careful when handling it. Do not touch, press or rub it with a hard-material tool like tweezers.
- 2) Do not touch the polarizing plate surface with bare hands so as not to make it dirty. If the surface or other related part of the polarizing plate is dirty, soak a soft cotton cloth or chamois leather in benzine and wipe off with it. Do not use chemical liquids such as acetone, toluene and isopropyl alcohol. Failure to do so may bring chemical reaction phenomena and deteriorations.
- 3) Remove any spit or water immediately. If it is left for hours, the suffered part may deform or decolorize.
- 4) If the LCD element breaks and any LC stuff leaks, do not suck or lick it. Also if LC stuff is stuck on your skin or clothing, wash thoroughly with soap and water immediately.

## **13.2 Installing precautions**

- 1) The PCB has many ICs that may be damaged easily by static electricity. To prevent breaking by static electricity from the human body and clothing, earth the human body properly using the high resistance and discharge static electricity during the operation. In this case, however, the resistance value should be approx.  $1M\Omega$  and the resistance should be placed near the human body rather than the ground surface. When the indoor space is dry, static electricity may occur easily so be careful. We recommend the indoor space should be kept with humidity of 60% or more. When a soldering iron or other similar tool is used for assembly, be sure to earth it.
- 2) When installing the module and ICs, do not bend or twist them. Failure to do so may crack LC element and cause circuit failure.
- 3) To protect LC element, especially polarizing plate, use a transparent protective plate (e.g., acrylic plate, glass etc) for the product case.
- 4) Do not use an adhesive like a both-side adhesive tape to make LCD surface (polarizing plate) and product case stick together. Failure to do so may cause the polarizing plate to peel off.

## **13.3 Storage precautions**

- 1) Avoid a high temperature and humidity area. Keep the temperature between  $0^{\circ}\text{C}$  and  $35^{\circ}\text{C}$  and also the humidity under 60%.
- 2) Choose the dark spaces where the product is not exposed to direct sunlight or fluorescent light.

## Preliminary

The contents of this document are confidential and must not be disclosed wholly or in part to any third part without the prior written consent of AMPIRE CO., LTD

---

- 3) Store the products as they are put in the boxes provided from us or in the same conditions as we recommend.

### 13.4 Operating precautions

- 1) Do not boost the applied drive voltage abnormally. Failure to do so may break ICs. When applying power voltage, check the electrical features beforehand and be careful. Always turn off the power to the LC module controller before removing or inserting the LC module input connector. If the input connector is removed or inserted while the power is turned on, the LC module internal circuit may break.
- 2) The display response may be late if the operating temperature is under the normal standard, and the display may be out of order if it is above the normal standard. But this is not a failure; this will be restored if it is within the normal standard.
- 3) The LCD contrast varies depending on the visual angle, ambient temperature, power voltage etc. Obtain the optimum contrast by adjusting the LC drive voltage.
- 4) When carrying out the test, do not take the module out of the low-temperature space suddenly. Failure to do so will cause the module condensing, leading to malfunctions.
- 5) Make certain that each signal noise level is within the standard (L level: 0.2V<sub>dd</sub> or less and H level: 0.8V<sub>dd</sub> or more) even if the module has functioned properly. If it is beyond the standard, the module may often malfunction. In addition, always connect the module when making noise level measurements.
- 6) The CMOS ICs are incorporated in the module and the pull-up and pull-down function is not adopted for the input so avoid putting the input signal open while the power is ON.
- 7) The characteristic of the semiconductor element changes when it is exposed to light emissions, therefore ICs on the LCD may malfunction if they receive light emissions. To prevent these malfunctions, design and assemble ICs so that they are shielded from light emissions.
- 8) Crosstalk occurs because of characteristics of the LCD. In general, crosstalk occurs when the regularized display is maintained. Also, crosstalk is affected by the LC drive voltage. Design the contents of the display, considering crosstalk.

**Preliminary**

The contents of this document are confidential and must not be disclosed wholly or in part to any third part without the prior written consent of AMPIRE CO., LTD

---

**13.5 Other**

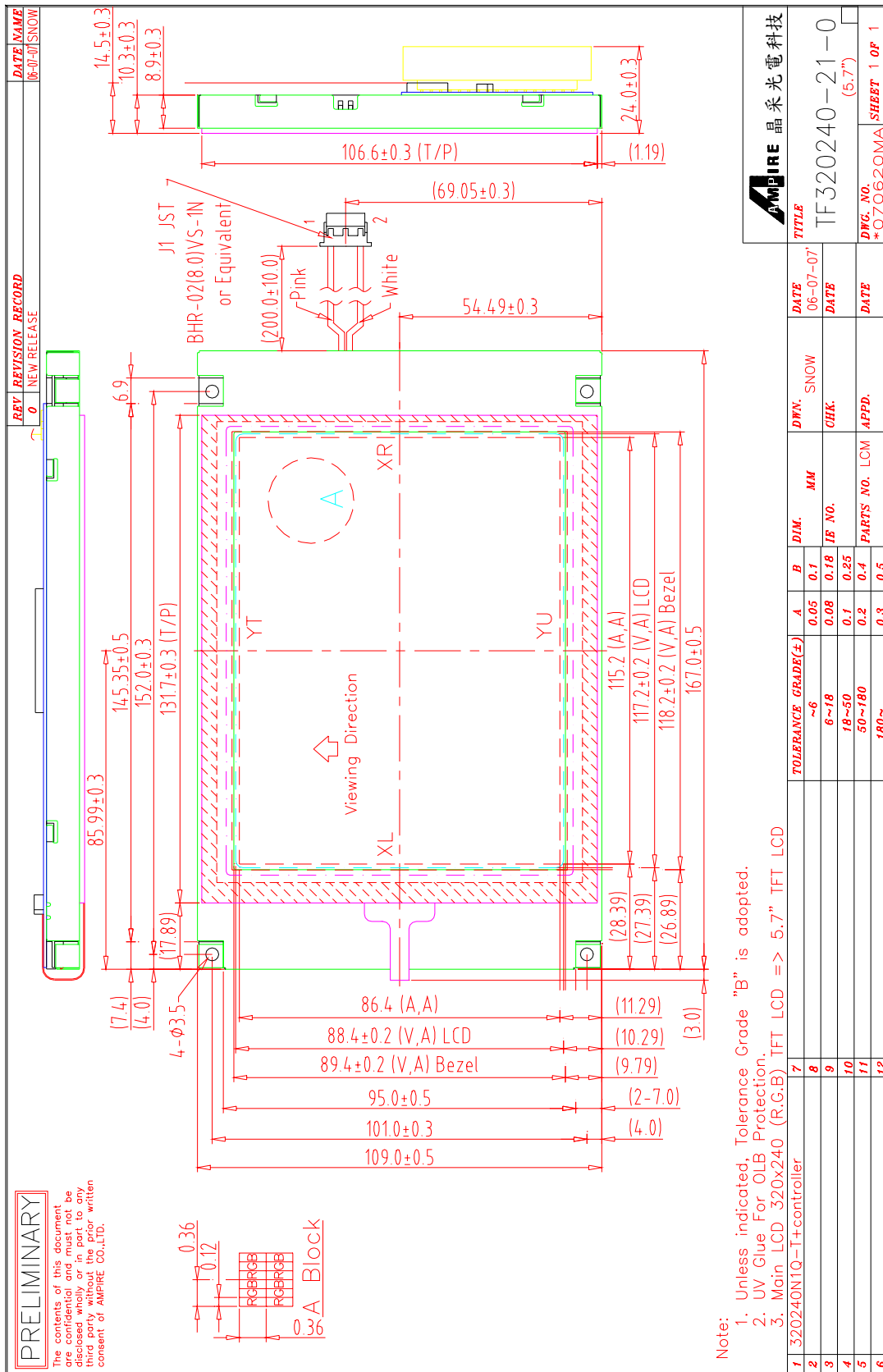
- 1) Do not disassemble or take the LC module into pieces. The LC modules once disassembled or taken into pieces are not the guarantee articles.
- 2) The residual image may exist if the same display pattern is shown for hours. This residual image, however, disappears when another display pattern is shown or the drive is interrupted and left for a while. But this is not a problem on reliability.

**Preliminary**

The contents of this document are confidential and must not be disclosed wholly or in part to any third party without the prior written consent of AMPIRE CO., LTD

**14 OUTLINE DIMENSION**

**14.1 OUTLINE DIMENSION-1 (With FFC P1.0x24 pins)**



**Preliminary**

The contents of this document are confidential and must not be disclosed wholly or in part to any third party without the prior written consent of AMPIRE CO., LTD

