



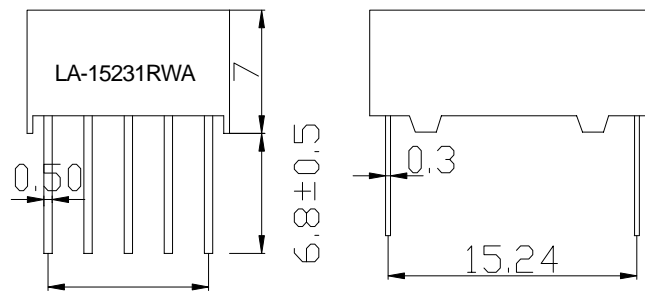
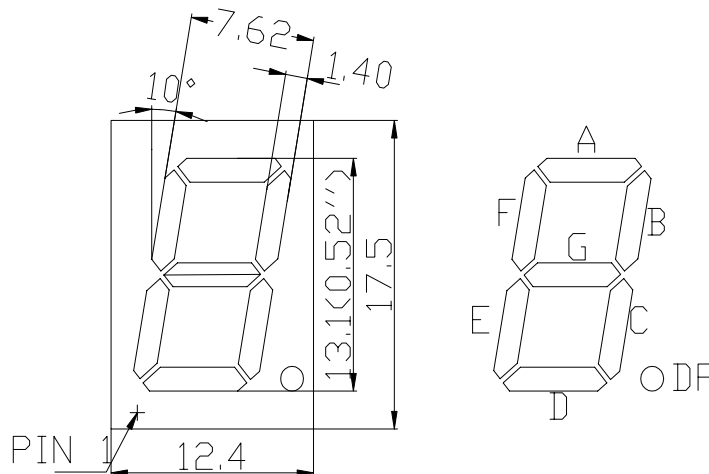
Features:

- Low power consumption
- High intensity and solid state reliability
- Continuous and uniform segment
- Industrial standard size, IC compatible

Description:

- Digit height 13.1 mm (0.52 inch), Single digit seven-segment display
- Emitting color: Red, AlGaInP
- Gray face, White diffused epoxy
- Common anode

Package Dimensions:



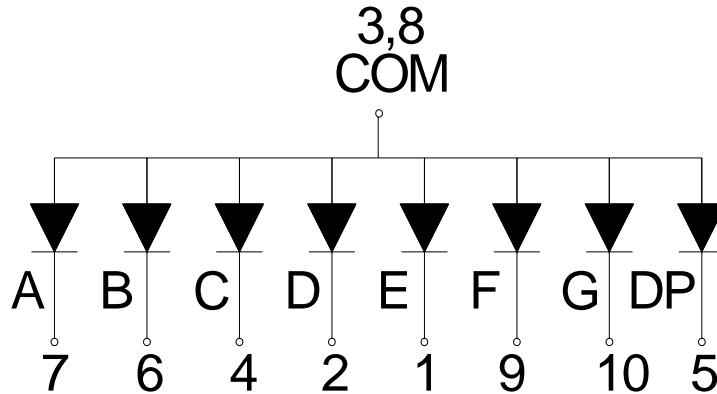
$2.46 \times 4 = 9.84$

Notes:

- All dimensions are in millimeters(inches)
- Tolerance is 0.25mm(0.01") unless otherwise noted
- Above specifications may be changed without notice



Internal Circuit Diagram:



Absolute Maximum Ratings At Ta=25°C

Parameter	Max	Unit
Reverse Voltage	5	V
Forward Current	25	mA
Operating Temperature	-40 to + 85	°C
Storage Temperature	-40 to + 85	°C
Soldering Temperature	260 ± 5 (less than 5 sec.)	°C
Power Consumption	60	mW

Electrical/Optical Characteristics At Ta=25°C

Parameter	Symbol	Min.	Typ.	Max.	Unit	Condition
Luminous Intensity Per Segment	Iv	—	6.8	—	mcd	IF=10mA
Dominant Wavelength	λd	—	640	—	nm	IF=20mA
Spectrum Radiation Bandwidth	Δλ	—	26	—	nm	IF=20mA
Forward Voltage Per Segment	Vf	—	2.0	—	V	IF=20mA
Reverse Current Per Segment	Ir	—	—	10	μ A	VR =5V