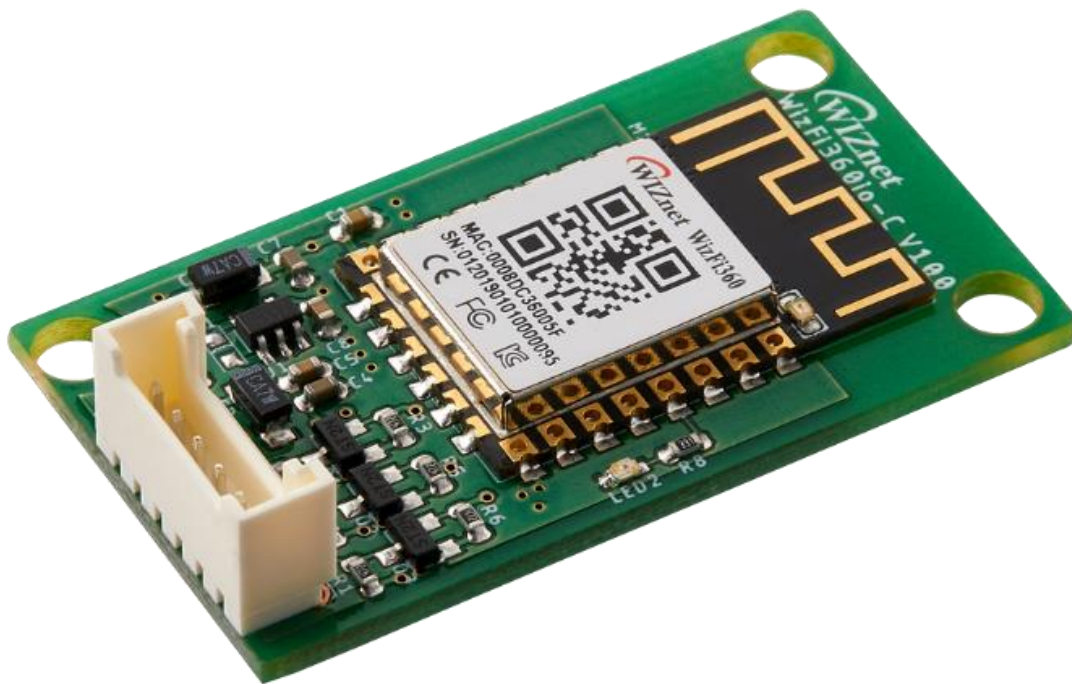


# WizFi360io-C Datasheet

## (Version 1.02)



<http://www.wiznet.io>

---

**Document Revision History**

| <b>Date</b> | <b>Revision</b> | <b>Changes</b>   |
|-------------|-----------------|--|
| 2019-07-24  | 0.9             | Temporary Release  |
| 2019-08-23  | 1.0             | Initial Release  |
| 2019-09-20  | 1.01            | Edited "Figure 1. WizFi360io-C Block diagram"<br>Edited "Figure 3. WizFi360io-C Dimension" |
| 2019-10-10  | 1.02            | Added "3. Electrical Specifications"   |

## Table of Contents

|                                   |   |
|-----------------------------------|---|
| 1. Overview.....                  | 4 |
| 2. Features.....                  | 4 |
| 2.1. WizFi360.....                | 4 |
| 2.2. ETC.....                     | 5 |
| 3. Electrical Specifications..... | 5 |
| 4. Block diagram.....             | 5 |
| 5. Pinout.....                    | 6 |
| 6. Schematic & Partlist .....     | 7 |
| 7. Dimension.....                 | 7 |
| 8. ETC.....                       | 7 |

# 1. Overview

This document describes WizFi360io-C. The operating voltage of the WizFi360io-C and the UART voltage are 5V. WizFi360io-C can connect the UART interface to the connector. The part name of the connector mounted on WizFi360io-C is "SMW200-H06G". The cable connector that can be connected to "SMW200-H06G" is "SMH200-06".

WizFi360 is a low cost and low-power consumption industrial-grade WiFi module. It is compatible with IEEE802.11 b/g/n standard and supports SoftAP, Station and SoftAP+Station modes. The serial port baud rate can be up to 2Mbps, which can meet the requirement of various applications.

## 2. Features

### 2.1. WizFi360

- WiFi 2.4G, 802.11 b/g/n
- Support Station / SoftAP / SoftAP+Station operation modes
- Support "Data pass-through" and "AT command data transfer" mode
- Support serial AT command configuration
- Support TCP Server / TCP Client / UDP operating mode
- Support configuration of operating channel 0 ~ 13
- Support auto 20MHz / 40MHz bandwidth
- Support WPA\_PSK / WPA2\_PSK encryption
- Serial port baud rate up from 600bps to 2Mbps with 16 common values
- Support up to 5 TCP / UDP links
- Obtaining IP address automatically from the DHCP server (Station mode)
- DHCP service for Wireless LAN clients (AP mode)
- Support DNS for communication with servers by domain name
- Support "Keep-Alive" to monitor TCP connection
- Support "Ping" for monitoring network status
- Built-in SNTP client for receiving the network time
- Support built-in unique MAC address and user configurable
- Support firmware upgrade by UART Download / OTA (via WLAN)
- Industrial grade (operating temperature range: -40 ° C - 85 ° C)
- CE, FCC, KC certification

## 2.2. ETC

- 5V Operating Voltage
  - Built-in LDO
  - WizFi360 operates at 3.3V
- 5V voltage level UART
  - Built-in Level Shifters
  - WizFi360 operates at 3.3V
- SMW200-H06G Mounted
  - Cable side connector is SMH200-06

## 3. Electrical Specifications

| Parameters                                      | Min | Typ | Max | Unit |
|---|-----|-----|-----|------|
| Operation Voltage                               | 4.5 | 5   | 5.5 | V    |
| UART Voltage                                    | 4.5 | 5   | 5.5 | V    |
| Send IEEE802.11b, CCK 11Mbps, POUT = +19 dBm    | -   | 230 | 290 | mA   |
| Send IEEE802.11g, OFDM 54Mbps, POUT = +13.5 dBm | -   | 210 | -   | mA   |
| Send IEEE802.11n, OFDM MCS7, POUT = +12 dBm     | -   | 210 | -   | mA   |
| Receive IEEE802.11 b/g/n                        | -   | 100 | 110 | mA   |
| Standby Mode                                    | -   | 135 | -   | mA   |
| Modem Sleep Mode                                | -   | 20  | -   | mA   |
| Light Sleep Mode                                | -   | 13  | -   | mA   |

## 4. Block diagram

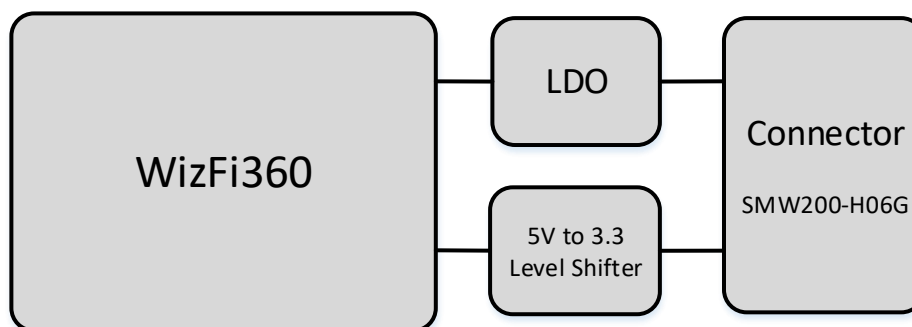


Figure 1. WizFi360io-C Block diagram

## 5. Pinout

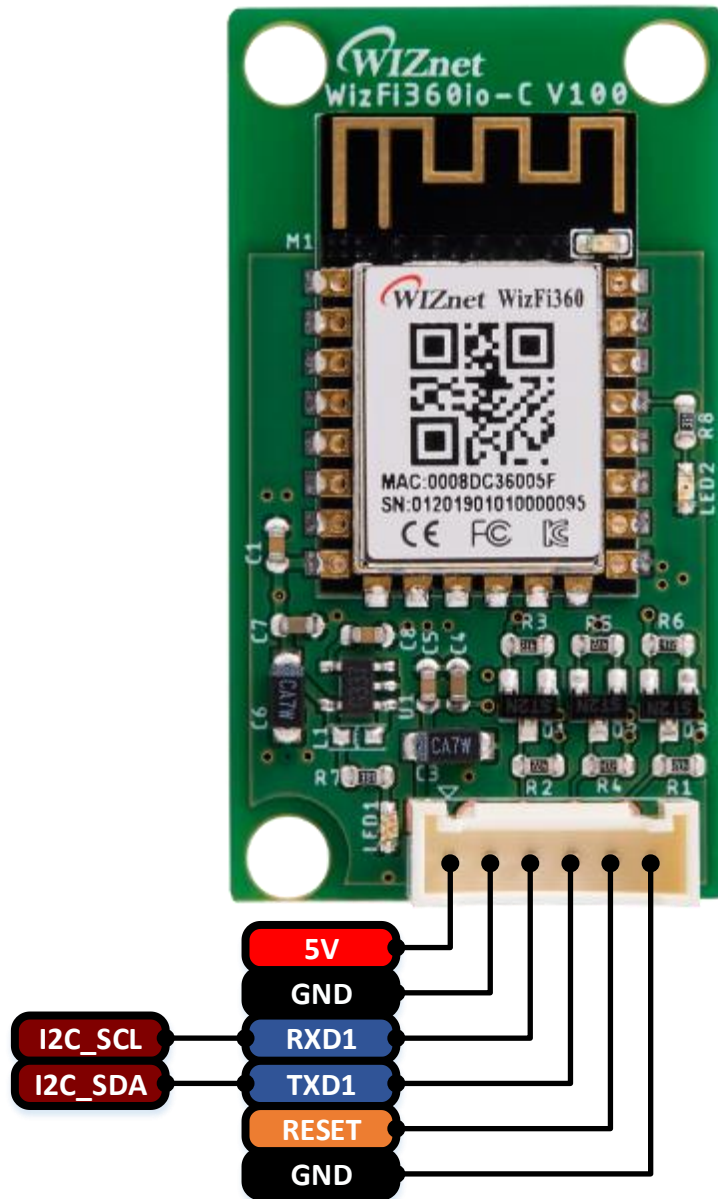


Figure 2. WIZnet WizFi360io-C Pinout

| No | Name | Type | Description        |
|----|------|------|--------------------|
| 1  | 5V   | P    | Power supply (5V)  |
| 2  | GND  | P    | Ground             |
| 3  | RXD  | I    | UART Receive       |
| 4  | TXD  | O    | UART Transmit      |
| 5  | RST  | I    | Reset (Active Low) |
| 6  | GND  | P    | Ground             |

Table 1. WIZnet WizFi360io-C Pin Description

## 6. Schematic & Partlist

[https://github.com/Wiznet/Hardware-Files-of-WIZnet/tree/master/07\\_WizFi\\_Module/WizFi360io-C](https://github.com/Wiznet/Hardware-Files-of-WIZnet/tree/master/07_WizFi_Module/WizFi360io-C)

## 7. Dimension

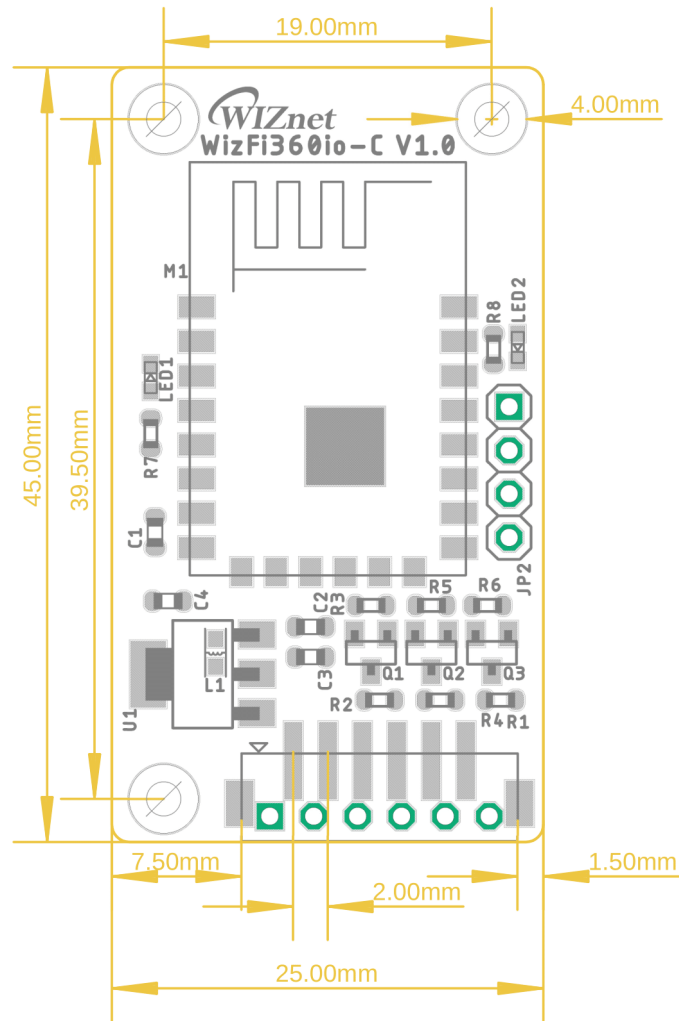


Figure 3. WizFi360io-C Dimension

## 8. ETC

## Copyright Notice

Copyright 2019 WIZnet Co., Ltd. All Rights Reserved.

Technical Support: <https://forum.wiznet.io/>

Sales & Distribution: [sales@wiznet.io](mailto:sales@wiznet.io)

For more information, visit our website at <http://www.wiznet.io/>