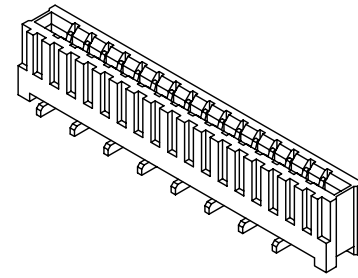


Material :

* Body : Glass Filled Polyamide UL 94V-0

* Contact : Copper alloy with Tin plated



Ordering Code

CF08 ** 1 M 1 T 0
 ① ② ③ ④ ⑤ ⑥ ⑦

① Series No.

② No. of Circuits

③ Plating code:

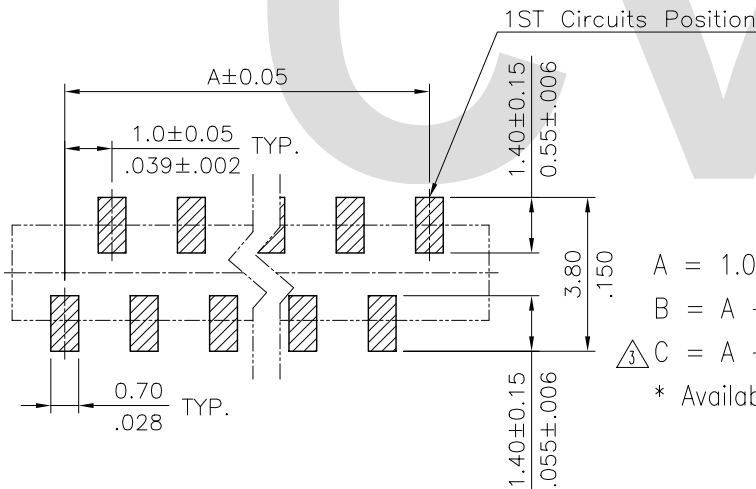
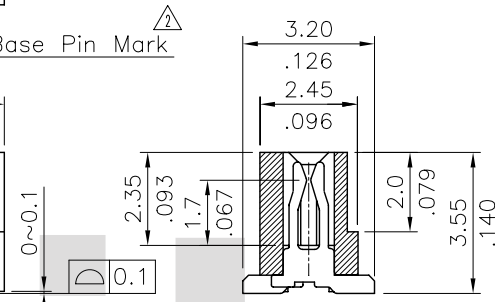
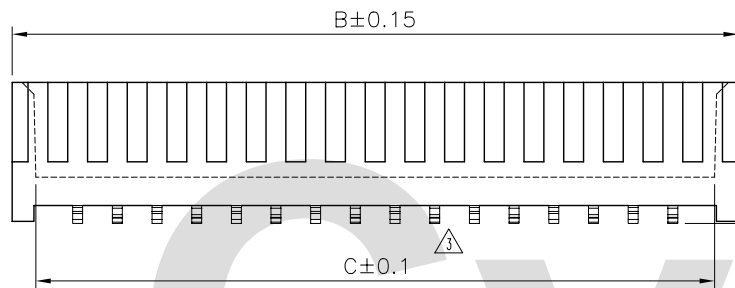
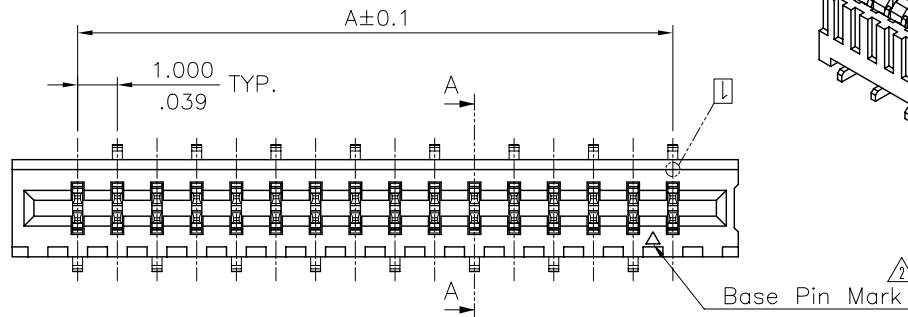
1 = Tin plated over Nickel

④ Contact style: M = Straight SMT Type

⑤ Color: 1 = Black

⑥ Packing options: T = Tube Packing

⑦ Other options: 0 = Standard

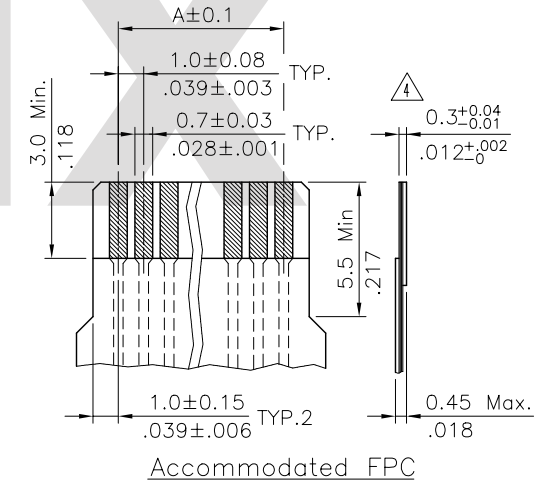
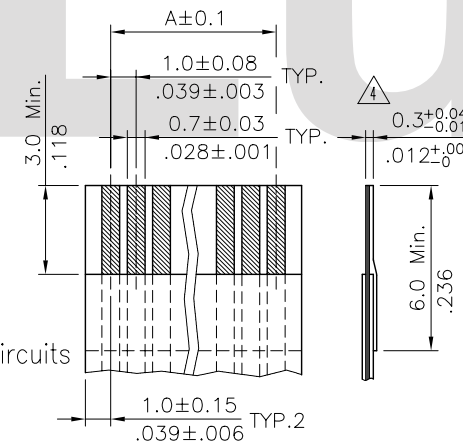


A = 1.0 * No. of Spaces

B = A + 3.3

C = A + 2.1

* Available in 4 through 32 circuits



Sold Pad Pattern

Accommodated FFC

RoHS Compliant

④	Sandy	9/22-07'	ECN07381/ECR07065-1		DATE	UNIT: mm / inch	TITLE: 1.00mm ST. SMT TYPE		
③	Sandy	7/10/06'	ECN06220		DRAWN BY: Sandy	9/22-07'	TOLERANCE UNLESS OTHERWISE SPECIFIED		LIF FFC/FPC CONN.
②	Sun	8/23/04'	ECN04324		ENGINEER: Easley	9/28-07'	.X ± 0.15/.006 X' ± 1'		MATERIAL:
①	Eisley	4/21/04'	ECN04165		CHECKED BY: David	9/28-07'	.XX ± 0.10/.004 X' ±		FINISH:
SYM	NAME	DATE	REVISIONS		APPROVED BY: Alex	9/28-07'	.XXX ± 0.05/.002 X' ±		
								DRAWING NO. CF0810SE	PART NO. CF08**1M1T0
								SCALE 5 / 1	SHEET 1 OF 1