

# Circum

## Control panel mounting enclosure



C 1735 F-NG-7038

Order no.: 93173515

\* = Available on request.

### Characteristics

Colour of enclosure group

Agate grey, similar to RAL 7038

Protection class

IP 40

Enclosure Material

ABS; for details see Technical Information

Scope of delivery

Lid, control panel mounting base, 2 cover panels, 4 screws

Note

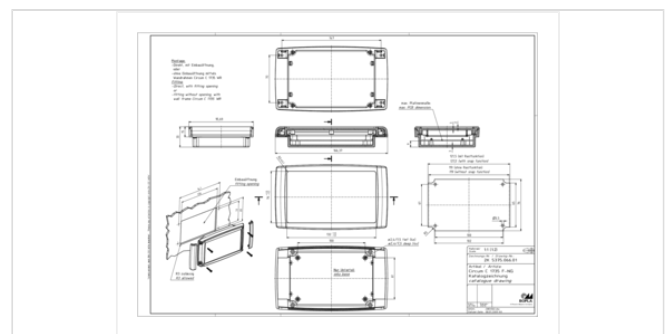
4.3"

### Dimensions

Dimensions

166.4 x 95.7 x 15 mm

Product drawing



### Technical documentation / Downloads

#### Technical drawings

3D product data in STEP format: 93173515 Circum-C-1735-F-NG-7038.stp (2.6 MB)

Drawing for mechanical processing: 93173515 C-1735-F-NG-7038-G.dxf (1.6 MB)

Milling contours are shown here as a DXF file. (Sub D, USB, HDMI, cable glands, ...)

Product drawing in PDF format: 93173515 C-1735-F-NG-7038.pdf (266.9 KB)

Product drawing in DXF format: 93173515 C-1735-F-NG-7038.dxf (5.7 MB)

#### Product information

circum en.pdf (801.8 KB)

18.10.2022

## Important!

---

To compensate for pressure when temperatures change and cause moisture in the enclosure, we recommend that you use a pressure compensation element.

» Additional information

## Matching accessories

---



### Wall frame for C 1735 F-NG

93173516 C 1735 WR-7038 Agate grey



### Cover panels

93170040*	C 1700 BL-3000	For C 17..	Flame red
93170050*	C 1700 BL-5014	For C 17..	Dove blue
93170010*	C 1700 BL-7038	For C 17..	Agate grey
93170020*	C 1700 BL-7024	For C 17..	Graphite grey