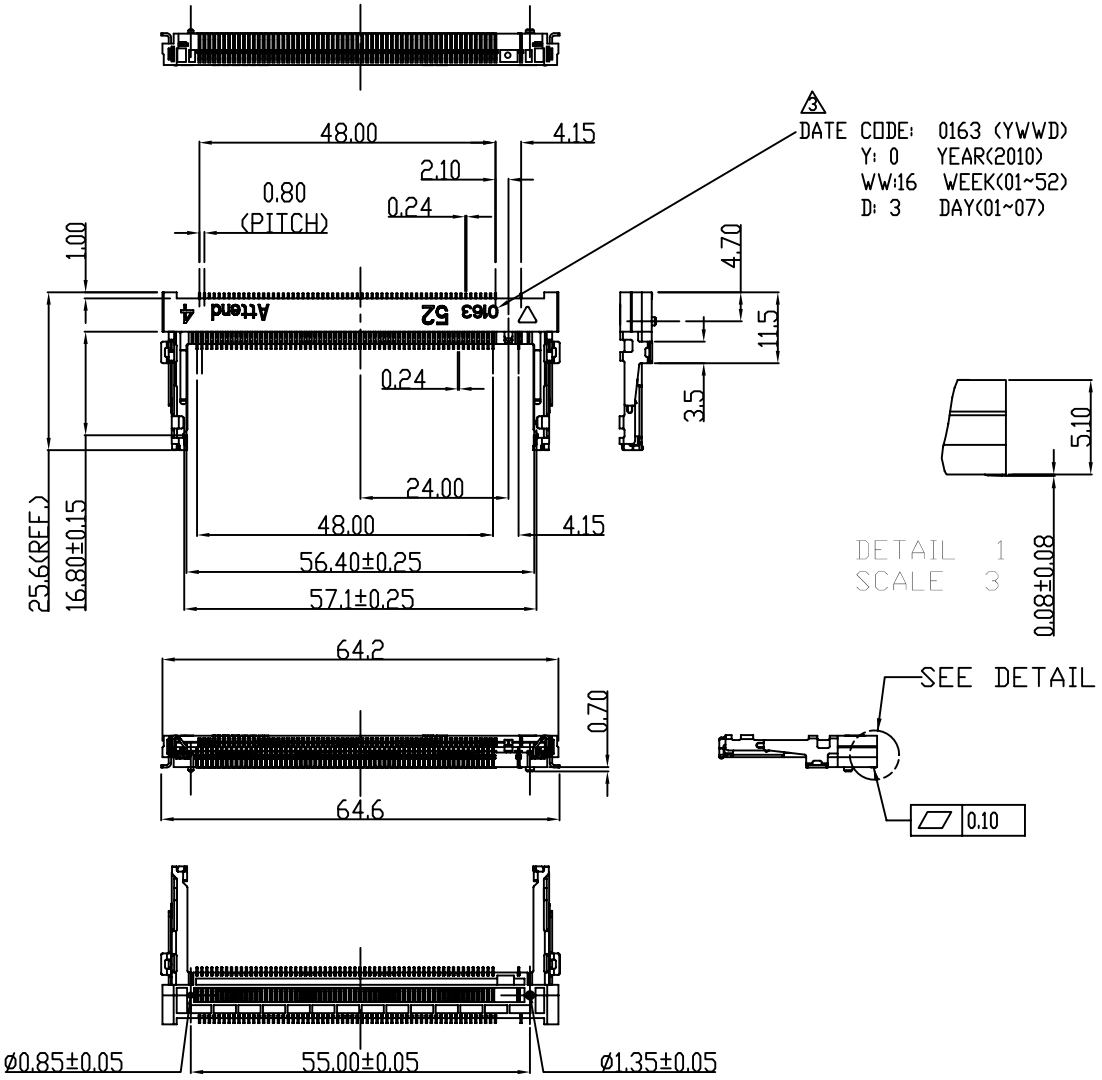


PRODUCT NO.	ITEM	PART NAME	Q'TY	MATERIAL	PLATING
114B-52B00-R02	1	BODY	1	LCP	
	3	CONTACT	124	PHOSPHOR BRONZE	GOLD 3u'
	4	LATCH	2	STAINLESS	



DATE CODE: 0163 (YWWDD)  
 Y: 0 YEAR(2010)  
 WW:16 WEEK(01~52)  
 D: 3 DAY(01~07)

Plastic Body : LCP, Color Black.  
 Contact: Phosphor Bronze Alloy (C5191R-H)  
 Contact area: Gold 3 micro inches  
 Solder area: Matte Tin Plated  
 All under-plated Ductile Nickel 50 micro inches (Min.)  
 Latch :SUS304R-1/2H, Matte Tin Plated  
 Contact Resistance: 30 mΩ (Max)  
 Insulation Resistance: 500 MΩ (Max.)  
 Dielectric Withstanding Voltage:  
 Mate connectors; apply 250V AC at 60 Hz(rms.)  
 Contact Normal Force: 50 gf per pin (Min.)  
 soldering heat: 260°C  
 Rating Voltage: 25V AC  
 Rating Current: 0.3A(Max.)/(1PIN)  
 Operating Temperature: -40°C to +90°C  
 Storage Temperature: -40°C to +90°C

DETAIL 1  
 SCALE 3

114B-52 B 0 0-R02  
 1 2 3 4

- 1.Stand off  
s/o:5.2mm
- 2.Contact Plating  
B:3u' Gold Plating
- 3.Color  
0:Black
- 4.RoHS

REV.	DESCRIPTION	DATE	REV.	DESCRIPTION	DATE	SIZE	REV.	FILE NAME
1						A4	1.0	114B-52B00-R02_B_5
2								
3								
4								
5								
6								
7								
8								
9								
10								

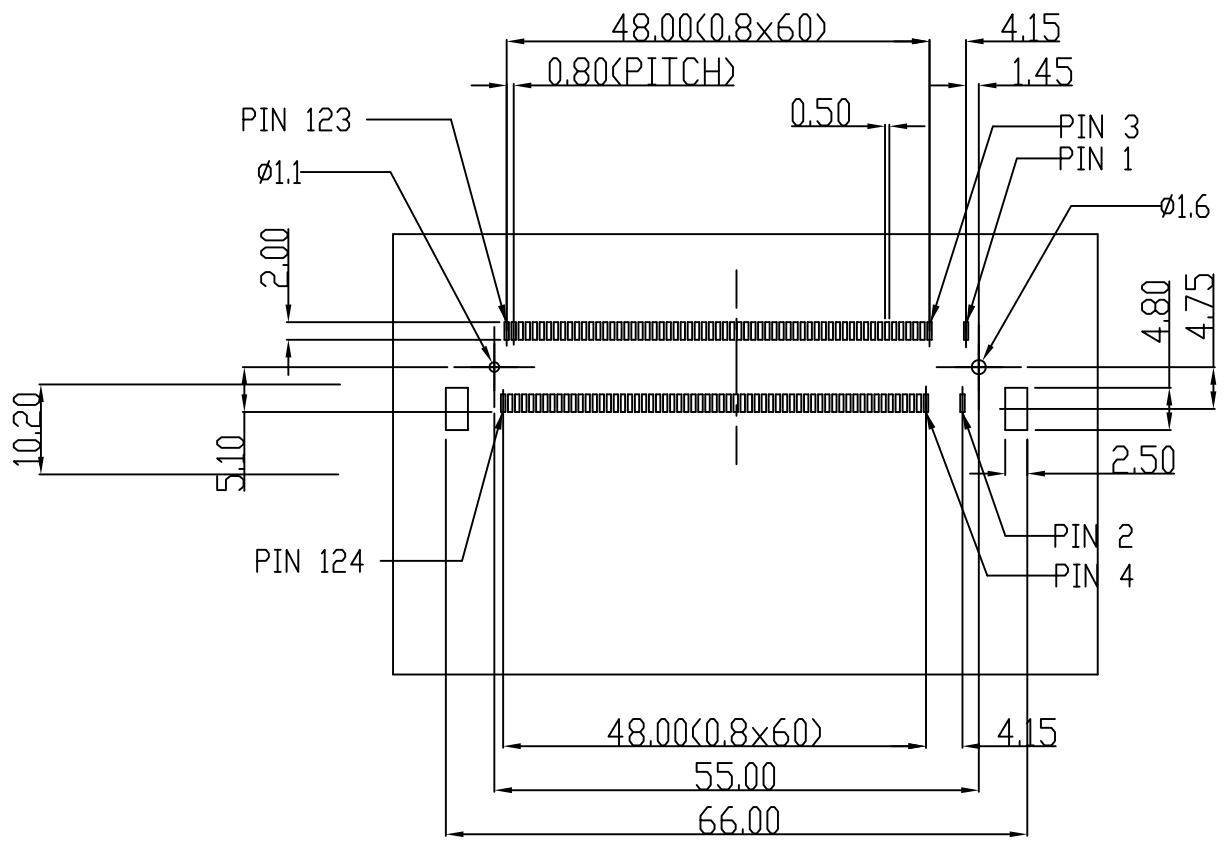
  

UNLESS OTHERWISE SPECIFIED TOLERANCE		
ANGLES	ANG.	±5°
LINEAR	0.	±0.3
	0.0	±0.25
	0.00	±0.20
SCALE	AS SHOWN	UNIT: mm
DRAWN	Willis	2012/08/03
CHECKED	Angel	2012/08/03
APPROVED	Ken	2012/08/03

		www.attend.com.tw	
		DRAWN NAME: Mini PCI Socket H:5.2,Metal Grounding Type	
PRODUCT NO.		114B-52B00-R02	

△	Revise: Date Code	2010/04/30
△	Revise: Latch Matte Tin Plated	2009/09/28
△	Revise: Layout Peg	2009/07/06



RECOMMEND PC BOARD LAYOUT

UNLESS OTHERWISE SPECIFIED TOLERANCE		
ANGLES	ANG.	±5°
LINEAR		±0.3
		±0.25
		±0.20
SCALE	AS SHOWN	UNIT: mm
DRAWN	Willis	2012/08/03
CHECKED	Angel	2012/08/03
APPROVED	Ken	2012/08/03



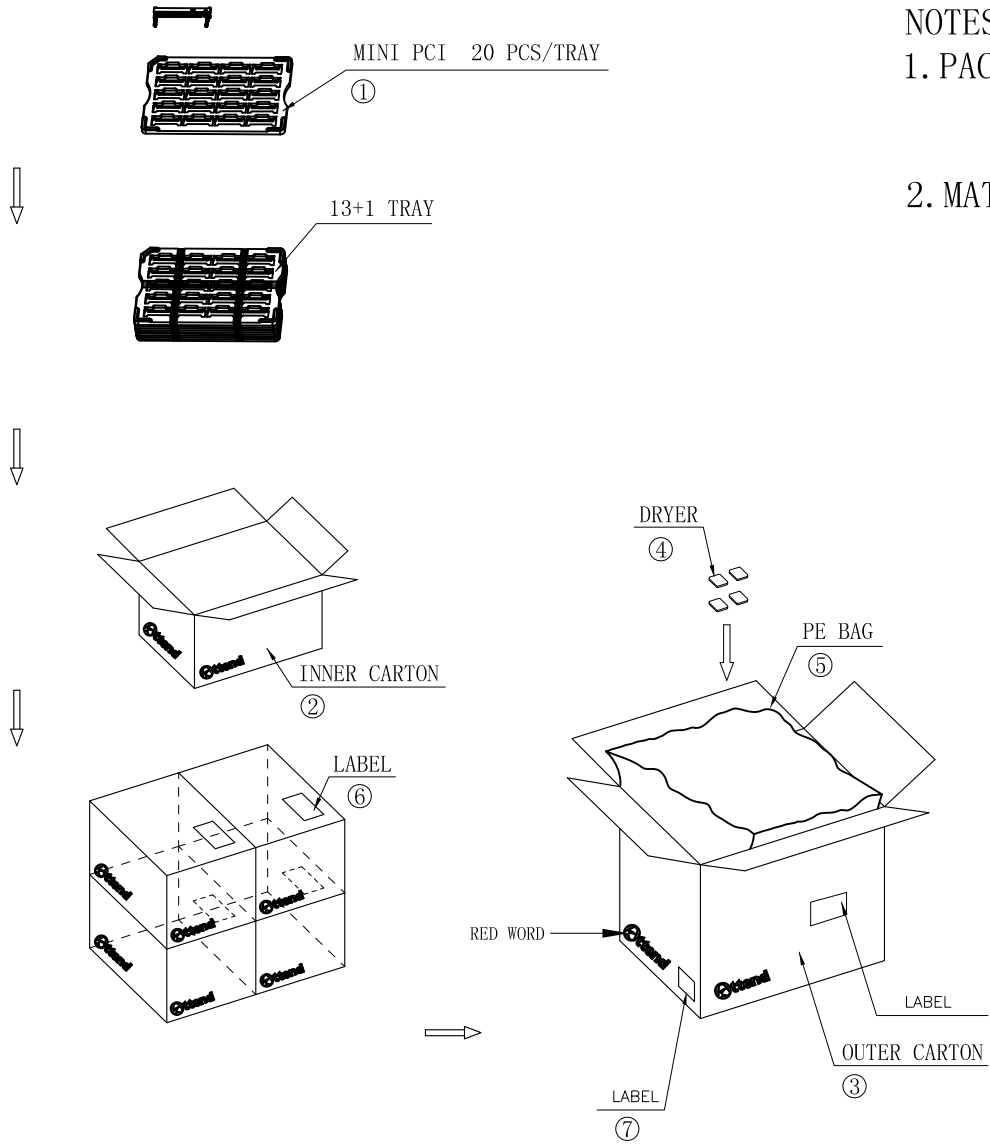
www.attend.com.tw

REV.	DESCRIPTION	DATE	REV.	DESCRIPTION	DATE
3	Revise: Date Code	2010/04/30			
2	Revise: Latch Matte Tin Plated	2009/09/28			
1	Revise: Layout Peg	2009/07/06			

DRAWN NAME:		Mini PCI Socket H:5.2, Metal Grounding Type	
PRODUCT NO.	114B-52B00-R02	FILE NAME	114B-52B00-R02_B_5


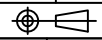


SIZE A4 REV. 1.0



NOTES:  
 1. PACKING STYLE 20 PCS/TRAY  
 260 PCS/INNER CARTON  
 1040 PCS/OUTER CARTON  
 2. MATERIAL TRAY:PET

7	LABEL	1	PCS	
6	LABEL	4	PCS	
5	PE BAG	1	PCS	
4	DRYER	4	BAG	
3	OUTER CARTON	1	PCS	
2	INNER CARTON	4	PCS	
1	TRAY	20	52+4	PCS
		1040		
NO.	PACKING NAME	PCS/T	T/CTN.	UNIT
		PACKING QTY		NOTE

						UNLESS OTHERWISE SPECIFIED TOLERANCE			 www.attend.com.tw	
						ANGLES	ANG.	±5°		
						LINEAR	0.	±0.3		
							0.0	±0.25		
						SCALE	AS SHOWN	UNIT: mm		
						DRAWN	Willis	2012/08/03	DRAWN NAME:	
						CHECKED	Angel	2012/08/03	Mini PCI Socket H:5.2,Metal Grounding Type	
						APPROVED	Ken	2012/08/03	PRODUCT NO. 114B-52B00-R02	
REV.	DESCRIPTION	DATE	REV.	DESCRIPTION	DATE		SIZE A4	REV. 1.0	FILE NAME 114B-52B00-R02_D_3	
1										