

## WizFi220

### Overview

WizFi220 is a Wi-Fi module that provides the robust and stable Wi-Fi connectivity. WizFi220 performs all functions for Wi-Fi connectivity and TCP/IP processing. All you have to do is just sending commands to the module via serial interface.

WizFi220 is all compatible with WizFi210 in hardware & software, but it has the external power amplifier for the longer communication.

### Features

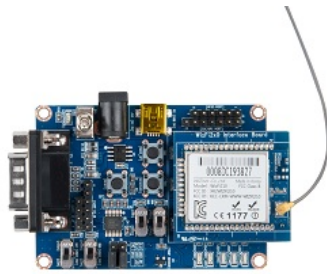
- ✓ Hardware Compatible with WizFi210
- ✓ External power amplifier mounted for the longer communication range
- ✓ Single band 2.4GHz IEEE802.11b Wi-Fi module
- ✓ Host Interface : UART & SPI
- ✓ Quick booting time : under 20msec
- ✓ Low power through dynamic power management (34 $\mu$ A at the standby mode)
- ✓ Security protocols : WEP, WPA/WPA2-PSK, Enterprise (EAP-FAST, EAP-TLS, EAP-TTLS, PEAP)
- ✓ Operation temperature : -40 ~ 85°C
- ✓ CE, FCC, KCC, TELEC certified
- ✓ Dimension : 32 x 23.5 x 2.9(mm)
- ✓ Provides chip antenna mounted version



### Evaluation Board

- WizFi220-EVB





### Guide Docs

[📄 Datasheet](#)

### Technical Support

[🗨️ WIZnet Forum](#)

### Buy Now

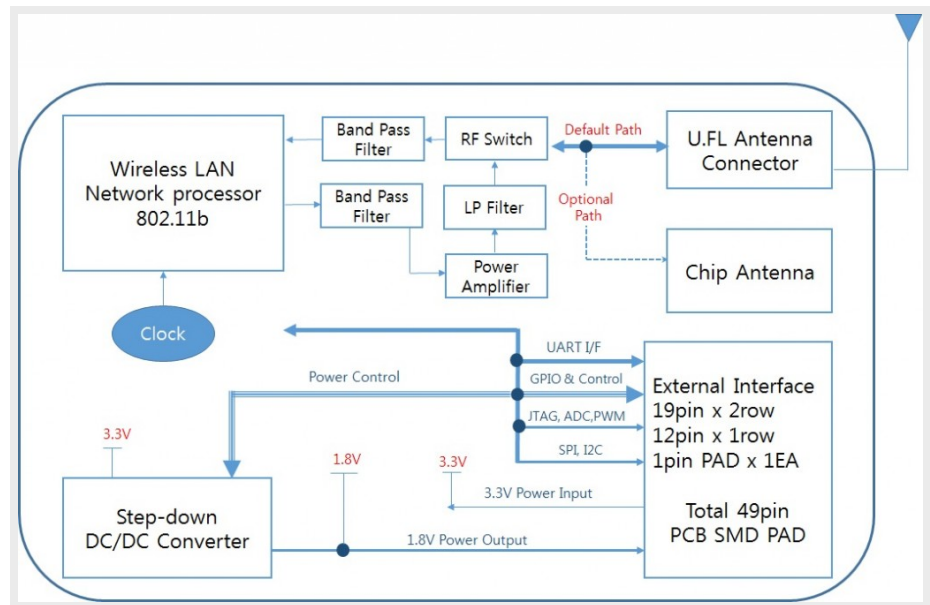
[🛒 WIZnet e-shop \(US\) \\$](#)

[🛒 WIZnet e-shop \(KR\) ₩](#)

[🛒 WIZnet e-shop \(EU\) €](#)

[🛒 WIZnet e-shop Hong Kong](#)

### Hardware Block Diagram



### Ordering Information



Part No.	Module Version	Description	Remark
WizFi220	WizFi220_CON	WizFi220 with U.FL Connector 	
	WizFi220_CA	WizFi220 with Chip Antenna 	
	WizFi220_EX	WizFi220 w/o any antenna or its connector 	MOQ : 1,000 BTO (Bill to Order)

[Download](#)

## Documents

[Datasheet](#) 

### *WizFi210/ WizFi220 Datasheet 1.2.0*

- Last Update: 2013.05.29

[Programmer's Guide](#) 

### *WizFi210/ WizFi220 Programmer's Guide V1.3.1*

- Last Update: 2013.06.24

[Quick Start Guide](#) 

### *WizFi210/ WizFi220 Quick Start Guide V1.0.0*

- Last Update: 2013.05.29

[App Note](#) 

### *WizFi210/ WizFi220 Application Note*

- (AP310)WIZSmartScript-Description\_EN\_V1.01
- (AP320)WIZSmartScript-Firmware Upgrade\_EN\_V1.01
- (AP330)WizFi Range Test\_EN\_V1.0
- (AP340)Antenna Type Description
- (AP350)HTTP Data Transfer
- (AP370)Using New Firmware version in Old EVB Type
- (AP400)Multi Connections
- (AP450)How to Set Low Power Mode
- (AP460)Power State Management for WizFi210



## Firmware

### *WizFi210/ WizFi220 Firmware*

- V1.1.1.0 (2013.04.23) : The latest Version
- V1.1.0.5 (2012.03.20)
- V1.1.0.0 (2011.10.18)

### *SPI Interface*

If you need the material, please contact to our local office.

- WIZnet US : [sales\\_team@wiznettechnology.com](mailto:sales_team@wiznettechnology.com)
- WIZnet HK : [sales@wiznet.hk](mailto:sales@wiznet.hk)
- WIZnet EU : [sales@wiznet.eu](mailto:sales@wiznet.eu)
- WIZnet HQ : [sales@wiznet.io](mailto:sales@wiznet.io)

### *Enterprise Firmware*

This firmware support EAP feature(AT+WEAPCONF command), HTTP feature(AT+HTTPCONF command) and SSL feature(AT+SSLOPEN command).The version of this firmware is 1.2.0.2(E).('E' means the enterprise version). This firmware can be uploaded from the hardware version 1.0.1?If you need the material, please contact to our local office.

- WIZnet US : [sales\\_team@wiznettechnology.com](mailto:sales_team@wiznettechnology.com)
- WIZnet HK : [sales@wiznet.hk](mailto:sales@wiznet.hk)
- WIZnet EU : [sales@wiznet.eu](mailto:sales@wiznet.eu)
- WIZnet HQ : [sales@wiznet.io](mailto:sales@wiznet.io)

### **Please Share This**

