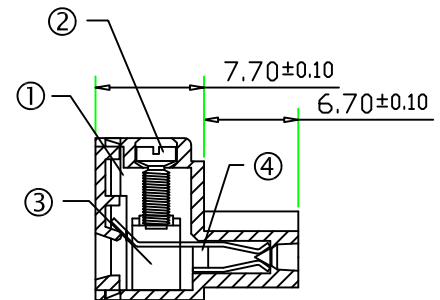
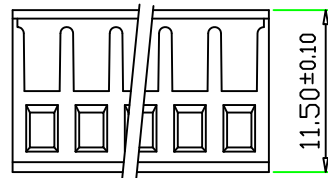
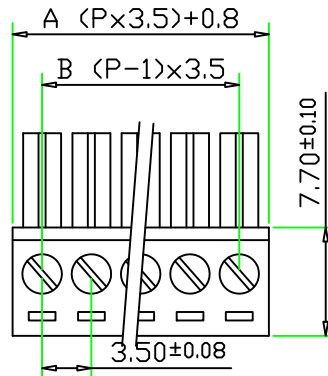




HOWDER

Pluggable type terminal block



Part Number:

HD-516H-□P

└ Pole Size 2~24P

SPECIFICATIONS

- ① Housing Material: Polyamide 66(UL94V-0), Green
- ② Screw: M2.0 Yellow Zinc Plated Steel
- ③ Wire Clamp: Nickel Plated Brass
- ④ Contact: Tin Plated Phosphorus Bronze

Screws Torque: 1 In-Lb

Wire Range: 16~28 AWG

Rated: 8 Amperes.AC300V

Operation Temperature: -55°C~+115°C

Insulation withstands volt: AC2000V min

Insulation resistance: >1000MΩ or more at DC500V