

General Specifications

Motor Protection: Auto Restart/PolarityProtection
 Insulation Resistance: 10M Ohm or over with a DC500V Megger
 Dielectric Withstand Voltage: AC 700V 1st
 Allowable Ambient Temperature Range:
 B80: -10 degree C ~ +60 degree C (Operating)
 B70: -10 degree C ~ +70 degree C (Operating)
 B50 ~ B60: -10 degree C ~ +50 degree C (Operating)
 B10 ~ B20: -10 degree C ~ +70 degree C (Operating)
 All Class: -40 degree C ~ +70 degree C (Storage)
 (non-condensing environment)

Material

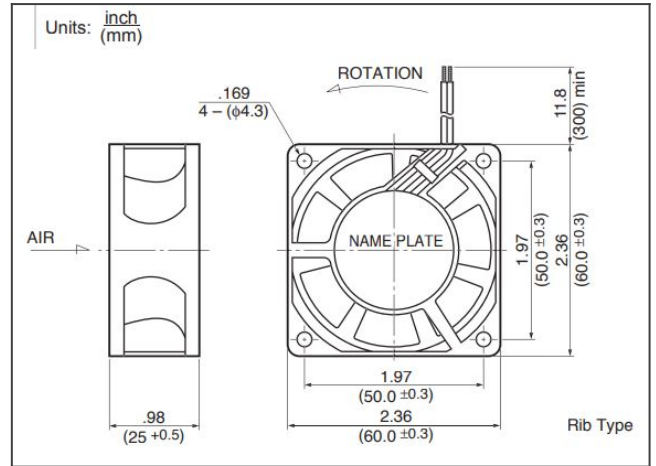
Casing: Plastic (Black) UL94V-0
 Impeller: Plastic (Black) UL94V-0
 Lead Wire: UL1007, AWG24, +Red, -Black

2410ML product picture

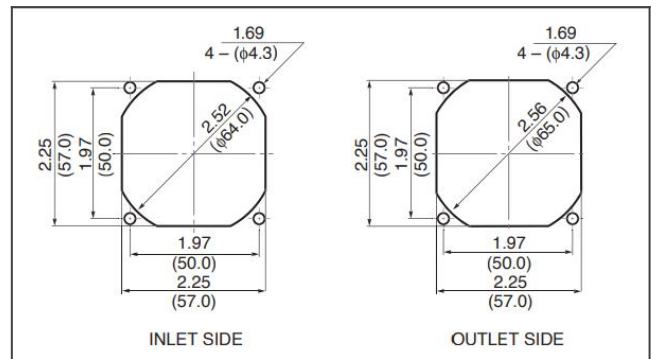


DC Fans

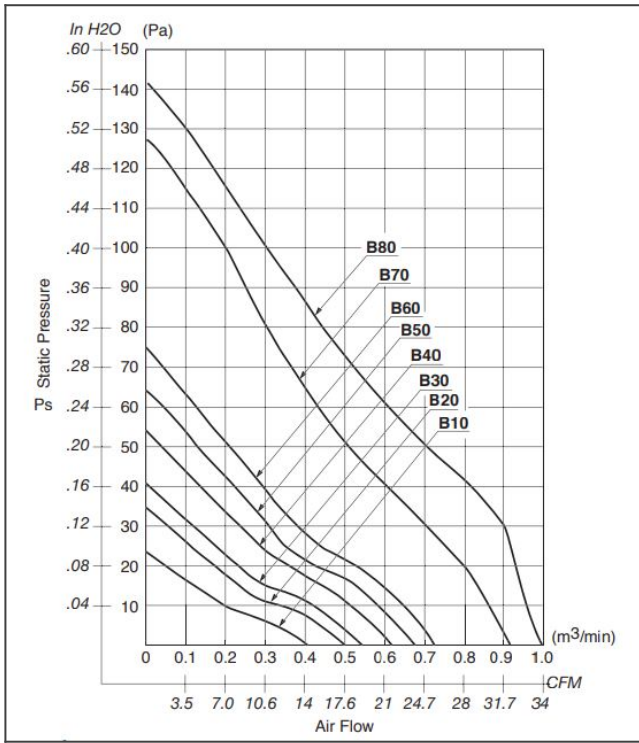
2410ML product drawing



2410ML panel cut out



2410ML characteristic curve



DC Fans

Detailed Specifications

Expected Life:	25 degree C 100,000 Hours (L10)
DC Fan:	Ball Bearing Fan
Max. Air Flow:	0.94
Max. Air Flow:	33.1
Max. Static Pressure:	125
Max. Static Pressure:	0.5
Noise:	45
Mass:	65
Fan Size:	60
Fan Width:	25
Nominal Voltage:	24
Operating Voltage Lower:	10
Operating Voltage Upper:	25.2
Current:	0.19
Input Power:	4.56
Speed:	6800

DC Fans