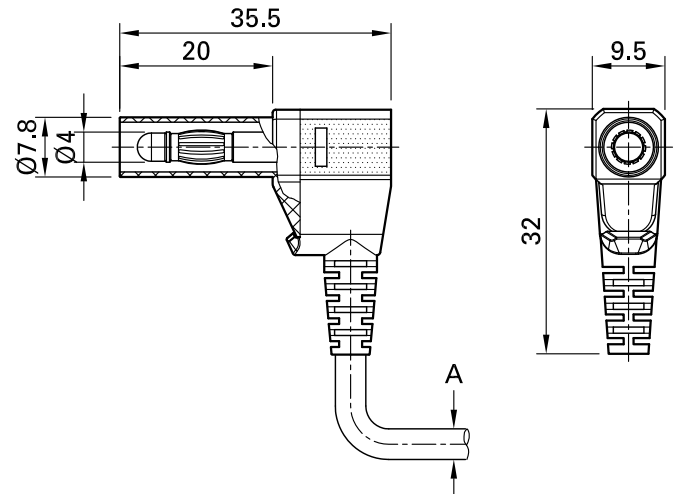


## SLS425-SW



Item number 22.2667-\*

Right-angled, Ø 4 mm, with spring-loaded MULTILAM, for self-assembly of test leads. With rigid insulating sleeve. Gold-plated version available. Solder connection.

Technical data	
Diameter of plug system	4 mm
Rated Values	500 V, CAT II, 32 A
Surface treatment electrical contact	Ni
Base material electrical contact	CuZn
Colours *	<span style="background-color: yellow;">20</span> <span style="background-color: black;">21</span> <span style="background-color: red;">22</span> <span style="background-color: blue;">23</span> <span style="background-color: green;">24</span> <span style="background-color: purple;">25</span> <span style="background-color: pink;">26</span>
Outer diameter	3.9
Test accessory acc. to	IEC EN 61010-031
Component parts	KT425-SW; LS425-SW
Material insulating part	PA