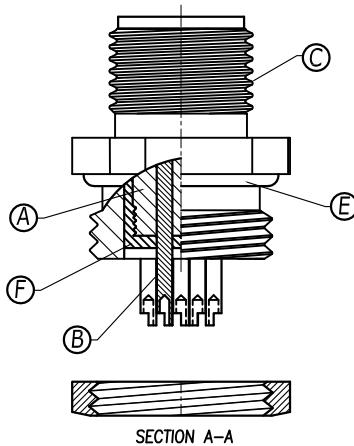
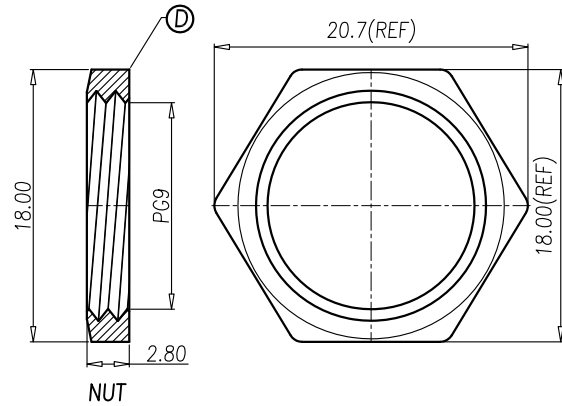
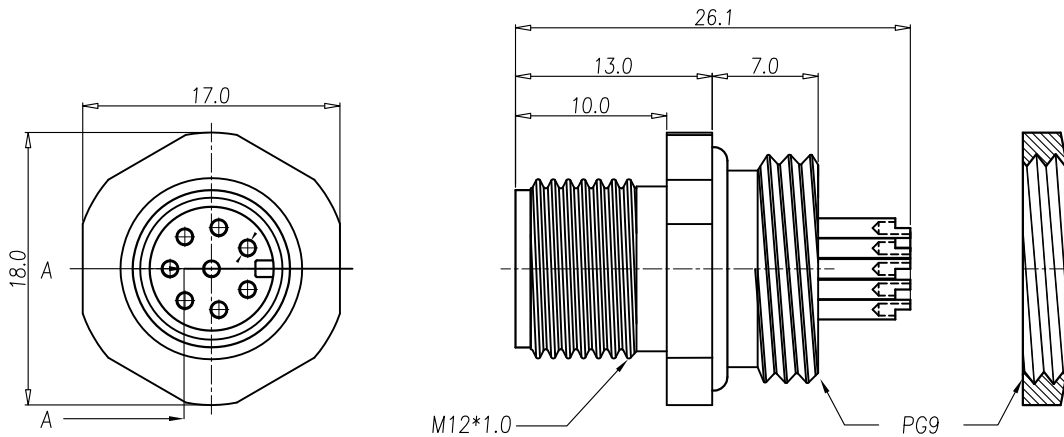


SWITCH CIRCUIT		MATERIAL AND FINISH AS BELOW							
WHEN CARD IS EJECTED	WHEN CARD IS INSERTED	A	Housing	PBT UL94V-0, Color: Black	E	O-Ring	NBR Black		
		B	Contact	Brass C3604, Contact Area:10u" Gold Plating Over Nickel	F	Epoxy Base	Epoxy Black		
		C	Shell	Brass C3604, Nickel Plated	G				
		D	Nut	Brass C3604, Nickel Plated	H				



SPECIFICATION:

1. ELECTRICAL

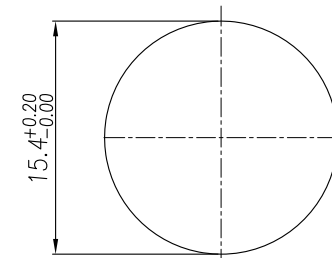
1.1 Current Rating: 5A per pin

1.2 Voltage Rating: 125V

1.3 Water Proof: IP X7

2. ENVIRONMENTAL

2.1 Operating temperature range: -40°C ~ +85°C



RECOMMEND PANEL CUT-OUT

P1	P2	P3	P4	P5	P6	P7	P8	P9	P10	P11	P12
----	----	----	----	----	----	----	----	----	-----	-----	-----

PIN ASSIGNMENT

216A-08MAR	M12 A Code 8Pin Receptacle, Male Solder Type, Rear Fastened, Contact: 10u" Gold Plating
------------	---

PRODUCT NO.

DESCRIPTION

UNLESS OTHERWISE SPECIFIED TOLERANCE

ANGLES	ANG.	±5°
	0.	±0.3
LINEAR	0.0	±0.25
	0.00	±0.20
SCALE	AS SHOWN	UNIT: mm
DRAWN	Willis	2013/12/24
CHECKED	Angel	2013/12/24
APPROVED	Ken	2013/12/24



www.attend.com.tw

DRAWN NAME:
M12 A- Code 8Pin Receptacle
Male Solder Type, Rear Fastened

PRODUCT NO. 216A-08MAR

FILE NAME 216A-08MAR_B_2

REV.	DESCRIPTION	DATE	REV.	DESCRIPTION	DATE	SIZE	REV.
1	ECR1700027	2017/10/26				A4	1.0
2	INITIAL RELEASE	2013/12/24					

A

A