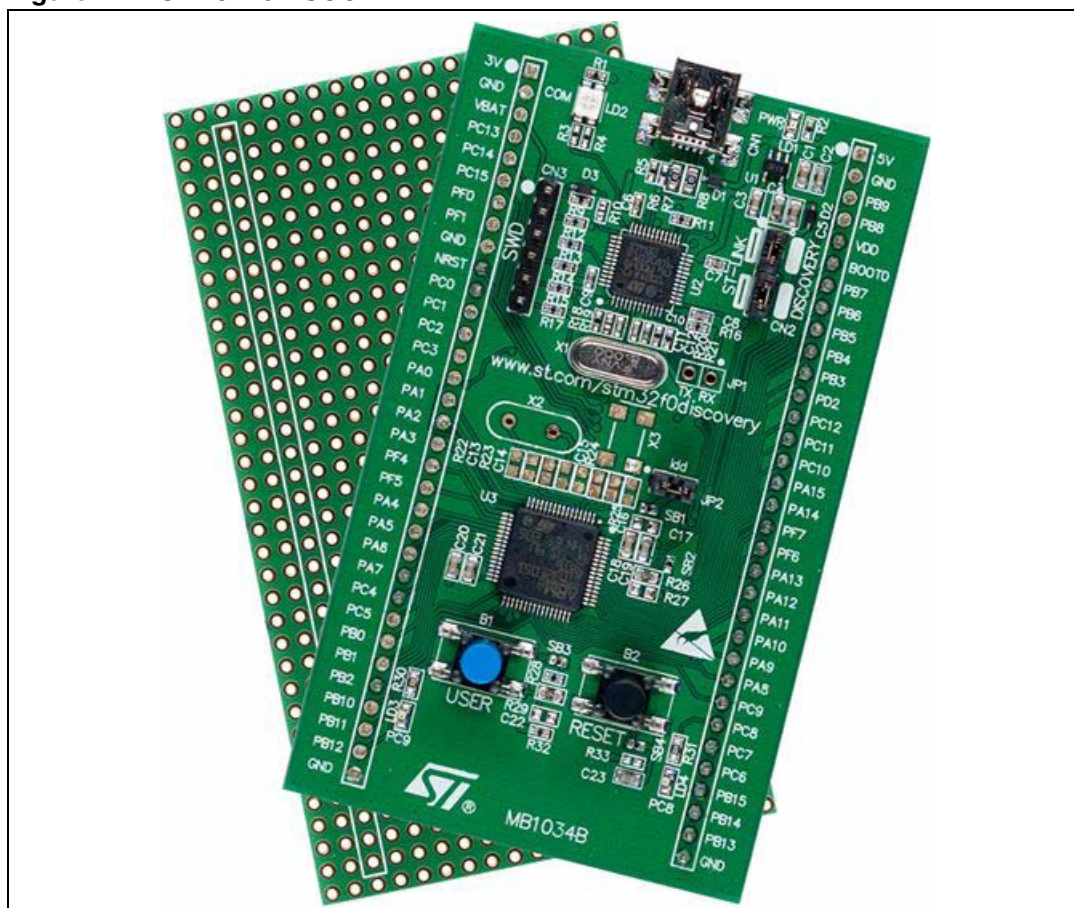


## STM32F0DISCOVERY Discovery kit for STM32 F0 microcontrollers

### Introduction

The STM32F0DISCOVERY helps you to discover the STM32 F0 Cortex™-M0 features and to develop your applications easily. It is based on STM32F051R8T6, an STM32 F0 series 32-bit ARM® Cortex™ microcontroller, and includes an ST-LINK/V2 embedded debug tool, LEDs, push buttons and a prototyping board.

**Figure 1. STM32F0DISCOVERY**



**Table 1. Applicable tools**

Type	Part number
Evaluation tools	STM32F0DISCOVERY

# Contents

- 1 Conventions ..... 6**
- 2 Quick start ..... 7**
  - 2.1 Getting started ..... 7
  - 2.2 System requirements ..... 7
  - 2.3 Development toolchain supporting the STM32F0DISCOVERY ..... 7
  - 2.4 Order code ..... 7
- 3 Features ..... 8**
- 4 Hardware and layout ..... 9**
  - 4.1 STM32F051R8T6 microcontroller ..... 12
  - 4.2 Embedded ST-LINK/V2 ..... 14
    - 4.2.1 Using ST-LINK/V2 to program/debug the STM32 F0 on board ..... 15
    - 4.2.2 Using ST-LINK/V2 to program/debug an external STM32 application .. 16
  - 4.3 Power supply and power selection ..... 17
  - 4.4 LEDs ..... 17
  - 4.5 Push buttons ..... 17
  - 4.6 JP2 (Idd) ..... 17
  - 4.7 OSC clock ..... 18
    - 4.7.1 OSC clock supply ..... 18
    - 4.7.2 OSC 32 KHz clock supply ..... 18
  - 4.8 Solder bridges ..... 19
  - 4.9 Extension connectors ..... 20
- 5 Connecting modules on the prototyping board ..... 27**
  - 5.1 Mikroelektronika accessory boards ..... 27
  - 5.2 ST MEMS “adapter boards”, standard DIL24 socket ..... 30
  - 5.3 Arduino shield boards ..... 33
- 6 Mechanical drawing ..... 36**
- 7 Electrical schematics ..... 37**

**8**      **Revision history** ..... **40**

## List of tables

Table 1.	Applicable tools . . . . .	1
Table 2.	ON/OFF conventions . . . . .	6
Table 3.	Jumper states . . . . .	14
Table 4.	Debug connector CN3 (SWD) . . . . .	16
Table 5.	Solder bridge settings . . . . .	19
Table 6.	MCU pin description versus board function . . . . .	20
Table 7.	Connecting using mikroBUS™ . . . . .	27
Table 8.	Connecting using IDC10 . . . . .	28
Table 9.	Connecting with a DIL24 board . . . . .	30
Table 10.	Supported MEMS adapter boards . . . . .	32
Table 11.	Connecting with Arduino shields . . . . .	33
Table 12.	Document revision history . . . . .	40

## List of figures

Figure 1.	STM32F0DISCOVERY.....	1
Figure 2.	Hardware block diagram .....	9
Figure 3.	Top layout .....	10
Figure 4.	Bottom layout .....	11
Figure 5.	STM32F051R8T6 package.....	12
Figure 6.	STM32F051R8T6 block diagram .....	13
Figure 7.	Typical configuration .....	14
Figure 8.	STM32F0DISCOVERY connections image .....	15
Figure 9.	ST-LINK connections image.....	16
Figure 10.	Using IDC10 and mikroBUS™ connectors.....	29
Figure 11.	DIL24 socket connections.....	31
Figure 12.	Arduino shield board connections.....	35
Figure 13.	STM32F0DISCOVERY mechanical drawing .....	36
Figure 14.	STM32F0DISCOVERY.....	37
Figure 15.	ST-LINK/V2 (SWD only).....	38
Figure 16.	MCU .....	39

# 1 Conventions

[Table 2](#) provides the definition of some conventions used in the present document.

**Table 2. ON/OFF conventions**

Convention	Definition
Jumper JP1 ON	Jumper fitted
Jumper JP1 OFF	Jumper not fitted
Solder bridge SBx ON	SBx connections closed by solder
Solder bridge SBx OFF	SBx connections left open

## 2 Quick start

The STM32F0DISCOVERY is a low-cost and easy-to-use development kit to quickly evaluate and start development with an STM32 F0 series microcontroller.

Before installing and using the product, please accept the Evaluation Product License Agreement from [www.st.com/stm32f0discovery](http://www.st.com/stm32f0discovery).

For more information on the STM32F0DISCOVERY and for demonstration software, visit [www.st.com/stm32f0discovery](http://www.st.com/stm32f0discovery).

### 2.1 Getting started

Follow the sequence below to configure the STM32F0DISCOVERY board and launch the DISCOVER application:

1. Check jumper position on the board, JP2 on, CN2 on (Discovery selected).
2. Connect the STM32F0DISCOVERY board to a PC with a USB cable 'type A to mini-B' through USB connector CN1 to power the board. Red LED LD1 (PWR) and LD2 (COM) light up and green LED LD3 blinks.
3. Press user button B1 (bottom left corner of the board).
4. Observe how the green LED LD3 blinking changes according to USER button B1 clicks.
5. Each click on USER button B1 is confirmed by the blue LED LD4.
6. To study or modify the DISCOVER project related to this demo, visit [www.st.com/stm32f0discovery](http://www.st.com/stm32f0discovery) and follow the tutorial.
7. Discover the STM32F0 features, download and execute programs proposed in the list of projects.
8. Develop your own application using available examples.

### 2.2 System requirements

- Windows PC (XP, Vista, 7)
- USB type A to Mini-B USB cable

### 2.3 Development toolchain supporting the STM32F0DISCOVERY

- Altium®, TASKING™ VX-toolset
- ARM®, Atollic TrueSTUDIO®
- IAR™, EWARM (IAR Embedded Workbench®)
- Keil™, MDK-ARM™

### 2.4 Order code

To order the STM32F0 Discovery kit, use the order code STM32F0DISCOVERY.

### 3 Features

The STM32F0DISCOVERY kit offers the following features:

- STM32F051R8T6 microcontroller featuring 64 KB Flash, 8 KB RAM in an LQFP64 package
- On-board ST-LINK/V2 with selection mode switch to use the kit as a standalone ST-LINK/V2 (with SWD connector for programming and debugging)
- Board power supply: through USB bus or from an external 5 V supply voltage
- External application power supply: 3 V and 5 V
- Four LEDs:
  - LD1 (red) for 3.3 V power on
  - LD2 (red/green) for USB communication
  - LD3 (green) for PC9 output
  - LD4 (blue) for PC8 output
- Two push buttons (user and reset)
- Extension header for LQFP64 I/Os for quick connection to prototyping board and easy probing.
- An additional board is provided with the kit which can be connected to the extension connector for even easier prototyping and probing.
- A large number of free ready-to-run application firmware examples are available on [www.st.com/stm32f0discovery](http://www.st.com/stm32f0discovery) to support quick evaluation and development.



## 4 Hardware and layout

The STM32F0DISCOVERY is designed around the STM32F051R8T6 microcontroller in a 64-pin LQFP package.

*Figure 2* illustrates the connections between the STM32F051R8T6 and its peripherals (ST-LINK/V2, push button, LEDs and connectors).

*Figure 3* and *Figure 4* help you to locate these features on the STM32F0DISCOVERY.

**Figure 2. Hardware block diagram**

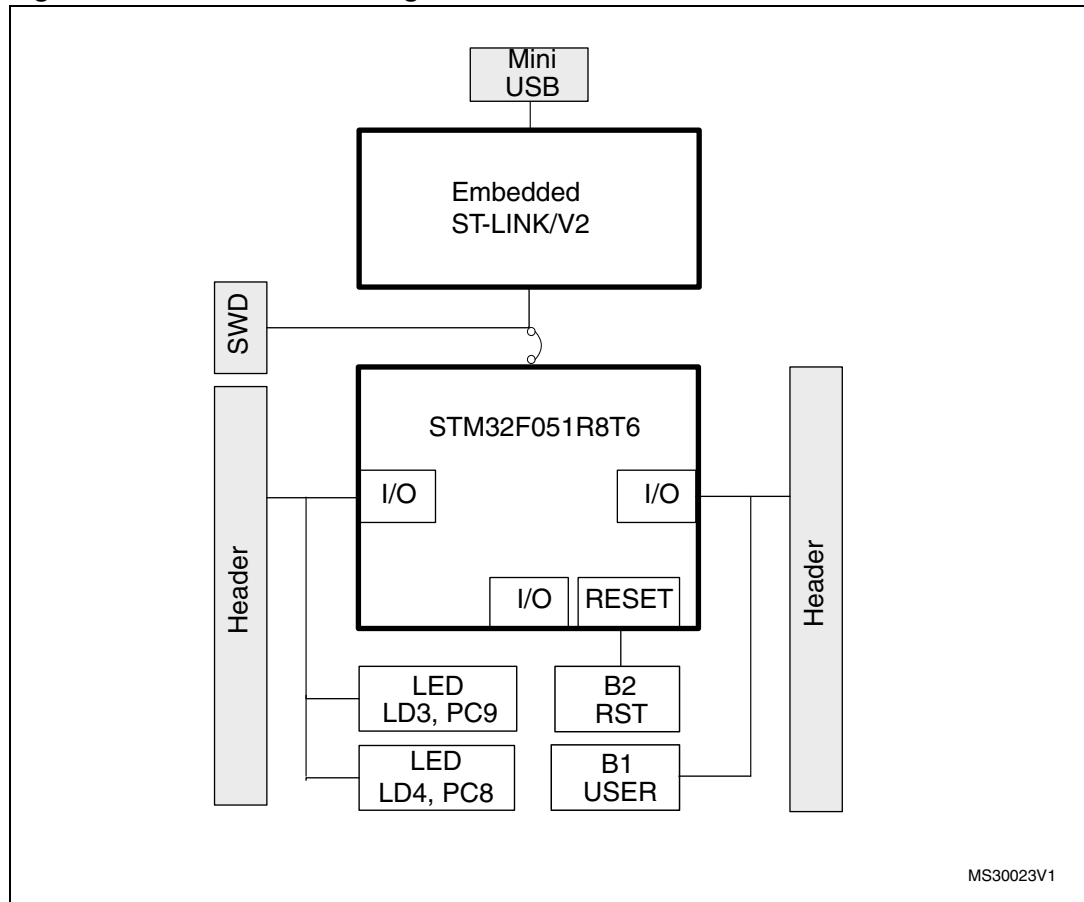
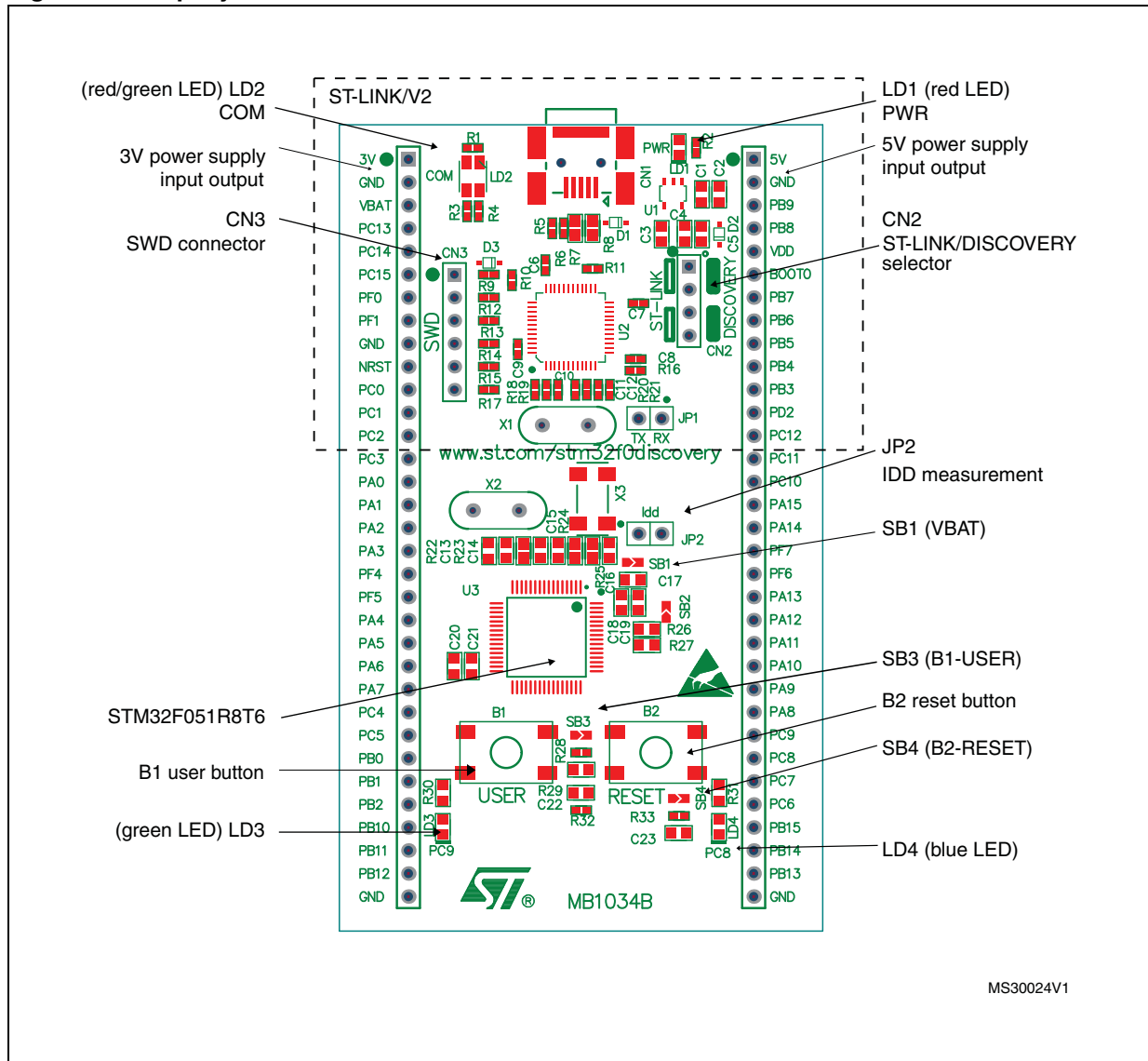
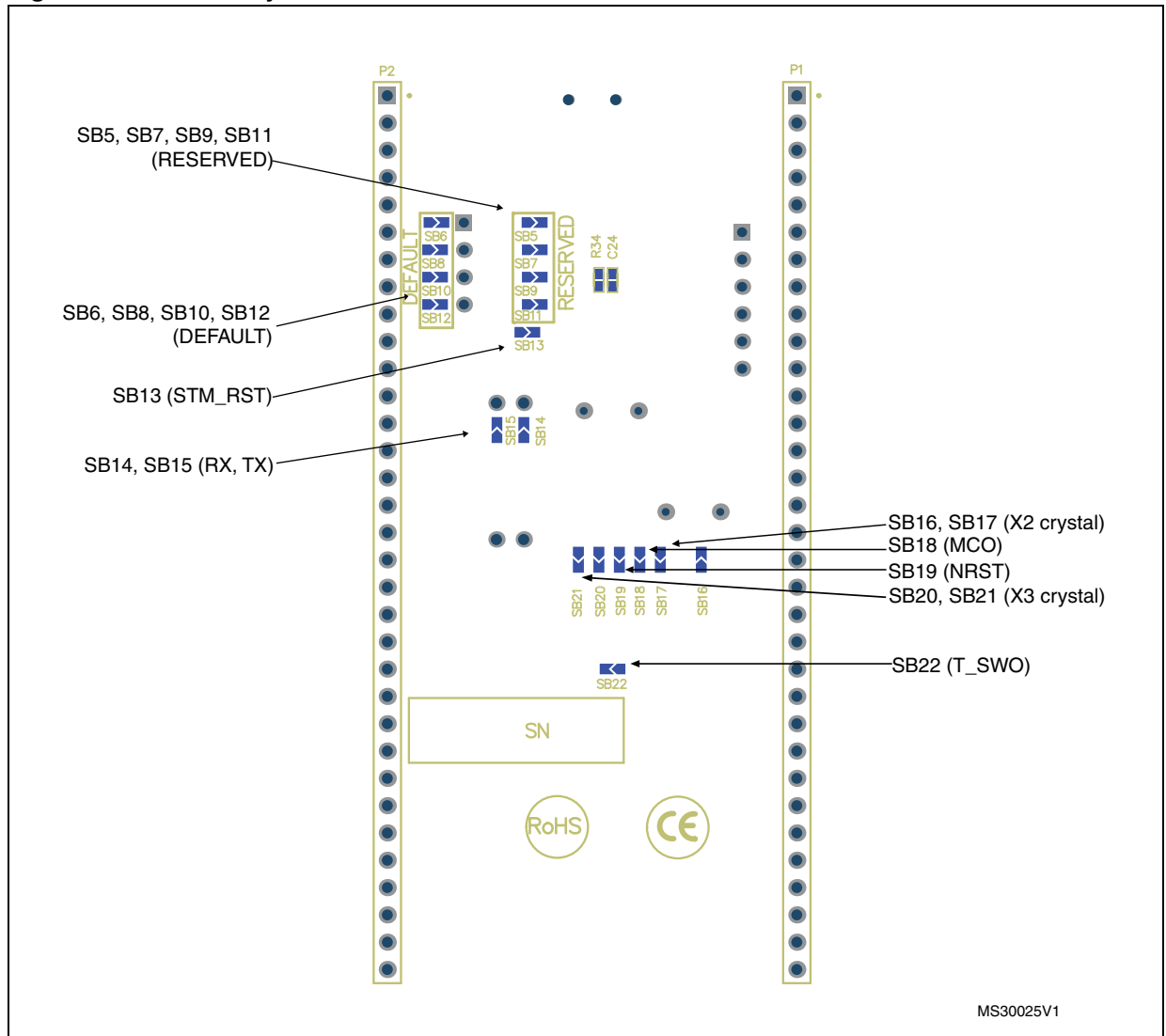


Figure 3. Top layout



Note: Pin 1 of CN2, CN3, P1 and P2 connectors are identified by a square.

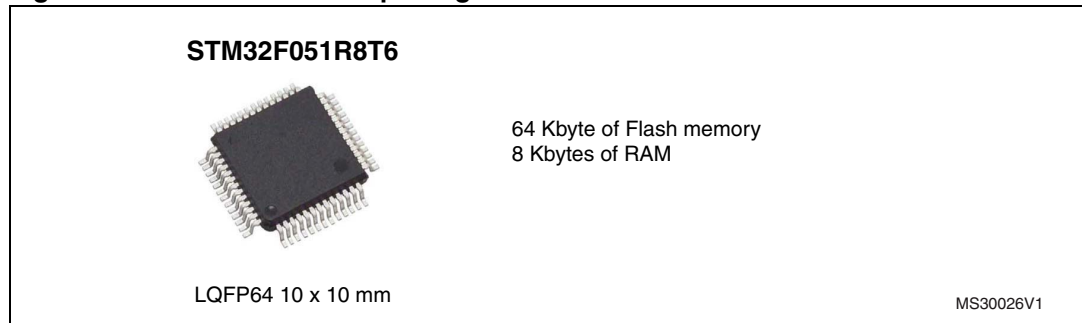
Figure 4. Bottom layout



## 4.1 STM32F051R8T6 microcontroller

This 32-bit low- and medium-density advanced ARM™ MCU with a high-performance ARM Cortex™-M0 32-bit RISC core has 64 Kbytes Flash, 8 Kbytes RAM, RTC, timers, ADC, DAC, comparators and communication interfaces.

**Figure 5. STM32F051R8T6 package**



The STM32 F0 delivers 32-bit performance and STM32 DNA essentials into applications typically addressed by 8- or 16-bit microcontrollers. It benefits from the combination of real-time performance, low-power operation, advanced architecture and peripherals associated to the STM32 ecosystem, which has made the STM32 a reference in the market. Now all this is accessible for cost-sensitive applications. The STM32 F0 offers unparalleled flexibility and scalability for home entertainment products, appliances, and industrial equipment.

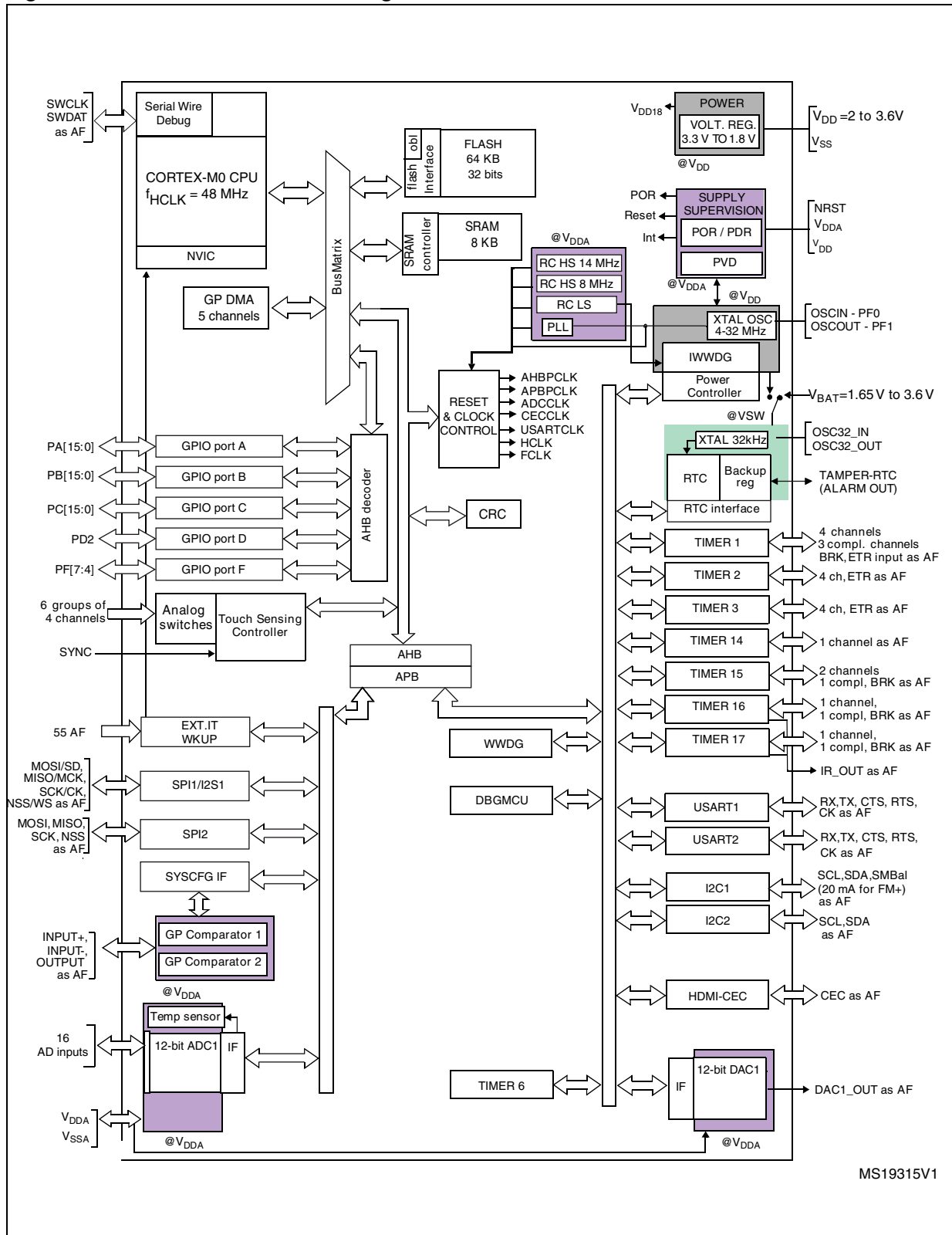
This device provides the following benefits.

- Superior code execution for better performance and excellent code efficiency for reduced embedded memory usage
- High-performance connectivity and advanced analog peripherals to support a wide range of applications
- Flexible clock options and low power modes with fast wake-up for low power consumption

It has the following key features:

- Core and operating conditions
  - ARM® Cortex™-M0 0.9 DMIPS/MHz up to 48 MHz
  - 1.8/2.0 to 3.6 V supply range
- High-performance connectivity
  - 6 Mbit/s USART
  - 18 Mbit/s SPI with 4- to 16-bit data frame
  - 1 Mbit/s I<sup>2</sup>C fast-mode plus
  - HDMI CEC
- Enhanced control
  - 1x 16-bit 3-phase PWM motor control timer
  - 5x 16-bit PWM timers
  - 1x 16-bit basic timer
  - 1x 32-bit PWM timer
  - 12 MHz I/O toggling

Figure 6. STM32F051R8T6 block diagram



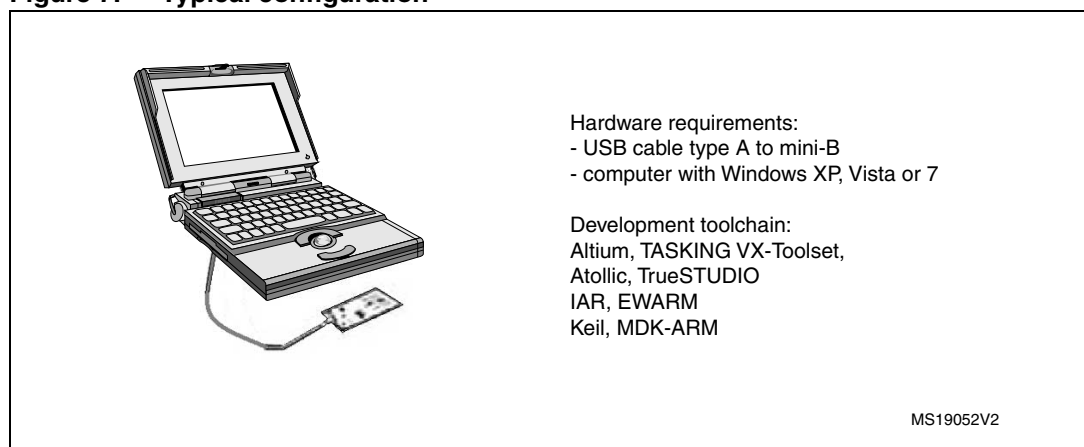
## 4.2 Embedded ST-LINK/V2

The ST-LINK/V2 programming and debugging tool is integrated on the STM32F0DISCOVERY. The embedded ST-LINK/V2 can be used in 2 different ways according to the jumper states (see [Table 3](#)):

- Program/debug the MCU on board,
- Program/debug an MCU in an external application board using a cable connected to SWD connector CN3.

The embedded ST-LINK/V2 supports only SWD for STM32 devices. For information about debugging and programming features refer to user manual UM1075 (*ST-LINK/V2 in-circuit debugger/programmer for STM8 and STM32*) which describes in detail all the ST-LINK/V2 features.

**Figure 7. Typical configuration**



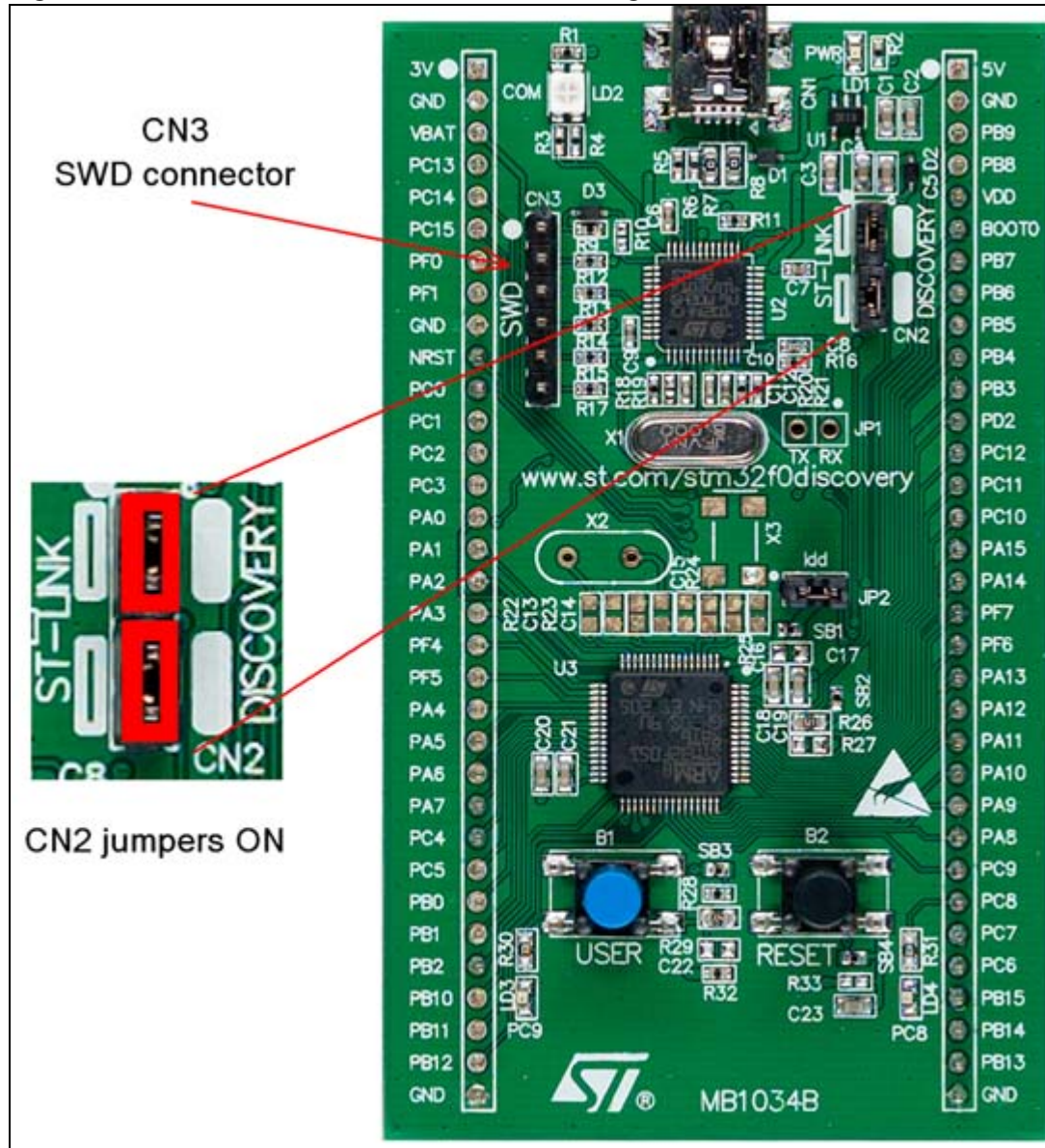
**Table 3. Jumper states**

Jumper state	Description
Both CN2 jumpers ON	ST-LINK/V2 functions enabled for on board programming (default)
Both CN2 jumpers OFF	ST-LINK/V2 functions enabled for application through external CN3 connector (SWD supported)

### 4.2.1 Using ST-LINK/V2 to program/debug the STM32 F0 on board

To program the STM32 F0 on board, simply plug in the two jumpers on CN2, as shown in [Figure 8](#) in red, but do not use the CN3 connector as that could disturb communication with the STM32F051R8T6 of the STM32F0DISCOVERY.

Figure 8. STM32F0DISCOVERY connections image





### 4.2.2 Using ST-LINK/V2 to program/debug an external STM32 application

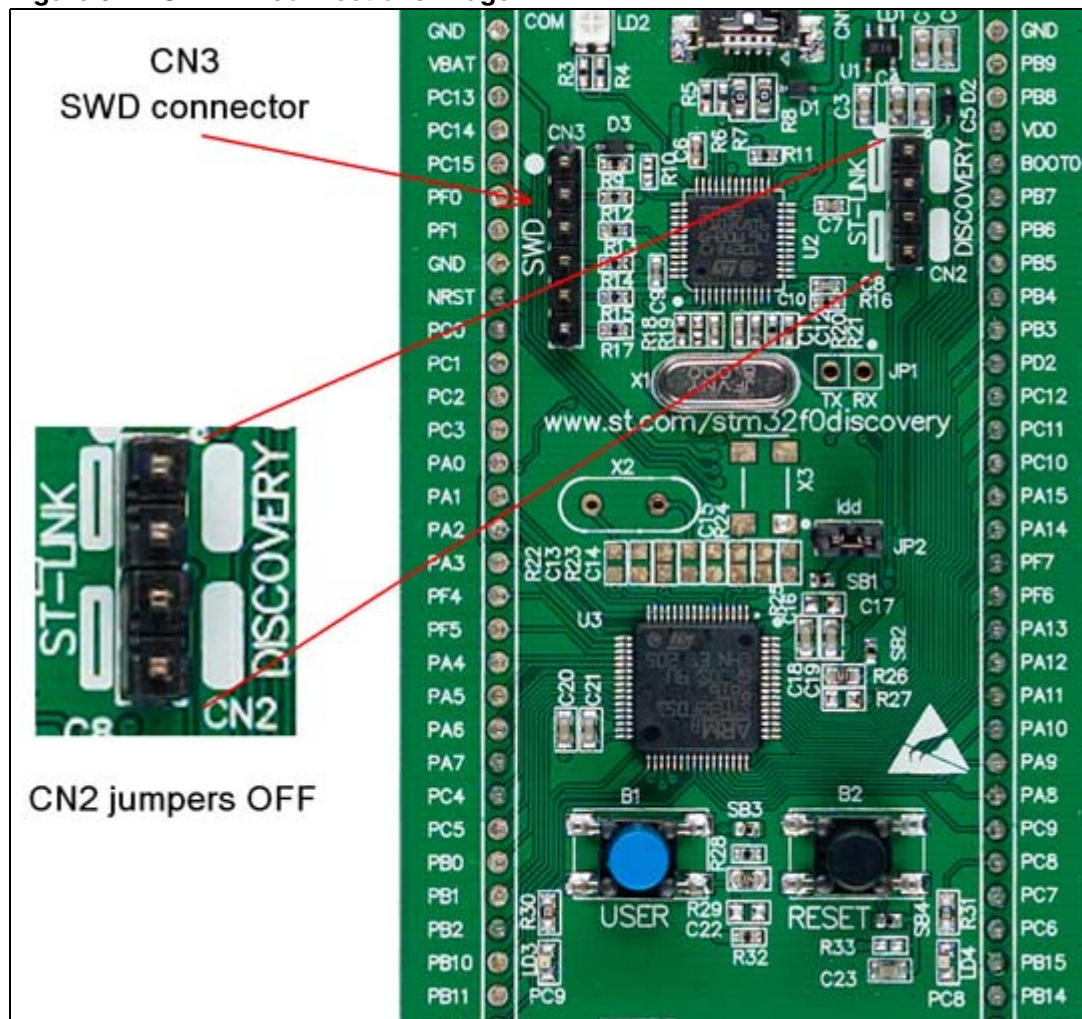
It is very easy to use the ST-LINK/V2 to program the STM32 on an external application. Simply remove the 2 jumpers from CN2 as shown in [Figure 9](#), and connect your application to the CN3 debug connector according to [Table 4](#).

*Note:* SB19 and SB22 must be OFF if you use CN3 pin 5 in your external application.

**Table 4. Debug connector CN3 (SWD)**

Pin	CN3	Designation
1	VDD_TARGET	VDD from application
2	SWCLK	SWD clock
3	GND	Ground
4	SWDIO	SWD data input/output
5	NRST	RESET of target MCU
6	SWO	Reserved

**Figure 9. ST-LINK connections image**





### 4.3 Power supply and power selection

The power supply is provided either by the host PC through the USB cable, or by an external 5V power supply.

The D1 and D2 diodes protect the 5V and 3V pins from external power supplies:

- 5V and 3V can be used as output power supplies when another application board is connected to pins P1 and P2.  
In this case, the 5V and 3V pins deliver a 5V or 3V power supply and power consumption must be lower than 100 mA.
- 5V can also be used as input power supplies e.g. when the USB connector is not connected to the PC.  
In this case, the STM32F0DISCOVERY board must be powered by a power supply unit or by auxiliary equipment complying with standard EN-60950-1: 2006+A11/2009, and must be Safety Extra Low Voltage (SELV) with limited power capability.

### 4.4 LEDs

- LD1 PWR: Red LED indicates that the board is powered.
- LD2 COM: Tricolor LED (COM) advises on the communication status as follows:
  - Slow blinking Red LED/Off: At power on before USB initialization
  - Fast blinking Red LED/Off: After the first correct communication between PC and STLINK/V2 (enumeration)
  - Red LED On: When initialization between PC and ST-LINK/V2 is successfully finished
  - Green LED On: After successful target communication initialization
  - Blinking Red/Green LED: During communication with target
  - Red LED On: Communication finished and OK
  - Orange LED On: Communication failure
- User LD3: Green user LED connected to the I/O PC9 of the STM32F051R8T6.
- User LD4: Blue user LED connected to the I/O PC8 of the STM32F051R8T6.

### 4.5 Push buttons

- B1 USER: User push button connected to the I/O PA0 of the STM32F051R8T6.
- B2 RESET: Push button used to RESET the STM32F051R8T6.

### 4.6 JP2 (Idd)

Jumper JP2, labeled Idd, allows the consumption of STM32F051R8T6 to be measured by removing the jumper and connecting an ammeter.

- Jumper on: STM32F051R8T6 is powered (default).
- Jumper off: an ammeter must be connected to measure the STM32F051R8T6 current, (if there is no ammeter, the STM32F051R8T6 is not powered).

## 4.7 OSC clock

### 4.7.1 OSC clock supply

PF0 and PF1 can be used as GPIO or as HSE oscillator. By default these I/Os are configured as GPIO, so SB16 and SB17 are closed, SB18 is open and R22, R23, C13 and C14 are not populated.

An external HSE clock can be provided to the MCU in three ways:

- **MCO from ST-LINK.** From MCO of the STM32F103. This frequency cannot be changed, it is fixed at 8 MHz and connected to PF0-OSC\_IN of the STM32F051R8T6. Configuration needed:
  - SB16, SB18 CLOSED
  - R22, R23 removed
  - SB17 OPEN
- **Oscillator onboard.** From X2 crystal (not provided). For typical frequencies and its capacitors and resistors, please refer to the STM32F051R8T6 Datasheet. Configuration needed:
  - SB16, SB17 SB18 OPEN
  - R22, R23, C13, C14 soldered
- **Oscillator from external PF0.** From external oscillator through pin 7 of the P1 connector. Configuration needed:
  - SB16, SB17 CLOSED
  - SB18 OPEN
  - R22 and R23 removed

### 4.7.2 OSC 32 KHz clock supply

PC14 and PC15 can be used as GPIO or as LSE oscillator. By default these I/Os are configured as GPIO, so SB20 & SB21 are closed and X3, R24, R25 are not populated.

An external LSE clock can be provided to the MCU in two ways:

- **Oscillator onboard.** From X3 crystal (not provided). Configuration needed:
  - SB20, SB21 OPEN
  - C15, C16, R24 and R25 soldered.
- **Oscillator from external PC14.** From external oscillator through the pin 5 of P1 connector. Configuration needed:
  - SB20, SB21 CLOSED
  - R24 and R25 removed

## 4.8 Solder bridges

**Table 5. Solder bridge settings**

Bridge	State <sup>(1)</sup>	Description
SB16,17 (X2 crystal) <sup>(2)</sup>	<b>OFF</b>	X2, C13, C14, R22 and R23 provide a clock. PF0, PF1 are disconnected from P1.
	ON	PF0, PF1 are connected to P1 (R22, R23 and SB18 must not be fitted).
SB6,8,10,12 (Default)	<b>ON</b>	Reserved, do not modify.
SB5,7,9,11 (Reserved)	<b>OFF</b>	Reserved, do not modify.
SB20,21 (X3 crystal)	<b>OFF</b>	X3, C15, C16, R24 and R25 deliver a 32 KHz clock. PC14, PC15 are not connected to P1.
	ON	PC14, PC15 are only connected to P1 (R24, R25 must not be fitted).
SB4 (B2-RESET)	<b>ON</b>	B2 push button is connected to the NRST pin of the STM32F051R8T6 MCU.
	OFF	B2 push button is not connected the NRST pin of the STM32F051R8T6 MCU.
SB3 (B1-USER)	<b>ON</b>	B1 push button is connected to PA0.
	OFF	B1 push button is not connected to PA0.
SB1 (VBAT powered from VDD)	<b>ON</b>	VBAT is permanently powered from VDD.
	OFF	VBAT is not powered from VDD but pin3 of P1.
SB14,15 (RX,TX)	<b>OFF</b>	Reserved, do not modify.
	ON	Reserved, do not modify.
SB19 (NRST)	<b>ON</b>	NRST signal of the CN3 connector is connected to the NRST pin of the STM32F051R8T6 MCU.
	OFF	NRST signal of the CN3 connector is not connected to the NRST pin of the STM32F051R8T6 MCU.
SB22 (T_SWO)	<b>ON</b>	SWO signal of the CN3 connector is connected to PB3.
	OFF	SWO signal is not connected.
SB13 (STM_RST)	<b>OFF</b>	No incidence on STM32F103C8T6 (ST-LINK/V2) NRST signal.
	ON	STM32F103C8T6 (ST-LINK/V2) NRST signal is connected to GND.
SB2 (BOOT0)	<b>ON</b>	BOOT0 signal of the STM32F051R8T6 MCU is held low through a 510 Ohm pull-down resistor.
	OFF	BOOT0 signal of the STM32F051R8T6 MCU can be set high through a 10 KOhm pull-up resistor R27 to solder.
SB18 (MCO) <sup>(2)</sup>	<b>ON</b>	Provides the 8 MHz for OSC_IN from MCO of STM32F103C8T6.
	OFF	See SB16, SB17 description.

1. Default SBx state is shown in bold.

2. OSC\_IN clock comes from MCO if SB18 is ON and SB16,17 are OFF and comes from X2 if SB18 is OFF and SB16,17 are ON.

## 4.9 Extension connectors

The male headers P1 and P2 can connect the STM32F0DISCOVERY to a standard prototyping/wrapping board. STM32F051R8T6 GPIOs are available on these connectors. P1 and P2 can also be probed by an oscilloscope, logical analyzer or voltmeter.

**Table 6. MCU pin description versus board function (page 1 of 7)**

MCU pin			Board function								
Main function	Alternate functions	LQFP64	Push button	LED	SWD	OSC	Free I/O	Power supply	CN3	P1	P2
BOOT0	BOOT0	60									6
NRST	NRST	7	RESET		NRST				5	10	
PA0	2_CTS, IN0, 2_CH1_ETR, 1_INM6, 1_OUT, TSC_G1_IO1, RTC_TAMP2, WKUP1	14	USER							15	
PA1	2_RTS, IN1, 2_CH2, 1_INP, TSC_G1_IO2, EVENTOUT	15								16	
PA2	2_TX, IN2, 2_CH3, 15_CH1, 2_INM6, 2_OUT, TSC_G1_IO3	16								17	
PA3	2_RX, IN3, 2_CH4, 15_CH2, 2_INP, TSC_G1_IO4,	17								18	

Table 6. MCU pin description versus board function (page 2 of 7)

MCU pin			Board function								
Main function	Alternate functions	LQFP64	Push button	LED	SWD	OSC	Free I/O	Power supply	CN3	P1	P2
PA4	1_NSS / 1_WS, 2_CK, IN4, 14_CH1, DAC1_OUT, 1_INM4, 2_INM4, TSC_G2_IO1	20								21	
PA5	1_SCK / 1_CK, CEC, IN5, 2_CH1_ETR, (DAC2_OUT), 1_INM5, 2_INM5, TSC_G2_IO2	21								22	
PA6	1_MISO / 1_MCK, IN6, 3_CH1, 1_BKIN, 16_CH1, 1_OUT, TSC_G2_IO3, EVENTOUT	22								23	
PA7	1_MOSI / 1_SD, IN7, 3_CH2, 14_CH1, 1_CH1N, 17_CH1, 2_OUT, TSC_G2_IO4, EVENTOUT	23								24	
PA8	1_CK, 1_CH1, EVENTOUT, MCO	41									25
PA9	1_TX, 1_CH2, 15_BKIN, TSC_G4_IO1	42									24

**Table 6. MCU pin description versus board function (page 3 of 7)**

MCU pin			Board function								
Main function	Alternate functions	LQFP64	Push button	LED	SWD	OSC	Free I/O	Power supply	CN3	P1	P2
PA10	1_RX, 1_CH3, 17_BKIN, TSC_G4_IO2	43									23
PA11	1_CTS, 1_CH4, 1_OUT, TSC_G4_IO3, EVENTOUT	44									22
PA12	1_RTS, 1_ETR, 2_OUT, TSC_G4_IO4, EVENTOUT	45									21
PA13	IR_OUT, SWDAT	46			SWDIO				4		20
PA14	2_TX, SWCLK	49			SWCLK				2		17
PA15	1_NSS / 1_WS, 2_RX, 2_CH1_ETR, EVENTOUT	50									16
PB0	IN8, 3_CH3, 1_CH2N, TSC_G3_IO2, EVENTOUT	26								27	
PB1	IN9, 3_CH4, 14_CH1, 1_CH3N, TSC_G3_IO3	27								28	
PB2 or NPOR (1.8V mode)	TSC_G3_IO4	28								29	
PB3	1_SCK / 1_CK, 2_CH2, TSC_G5_IO1, EVENTOUT	55			SWO				6		11

**Table 6. MCU pin description versus board function (page 4 of 7)**

MCU pin			Board function								
Main function	Alternate functions	LQFP64	Push button	LED	SWD	OSC	Free I/O	Power supply	CN3	P1	P2
PB4	1_MISO / 1_MCK, 3_CH1, TSC_G5_IO2, EVENTOUT	56									10
PB5	1_MOSI / 1_SD, 1_SMBA, 16_BKIN, 3_CH2	57									9
PB6	1_SCL, 1_TX, 16_CH1N, TSC_G5_IO3	58									8
PB7	1_SDA, 1_RX, 17_CH1N, TSC_G5_IO4	59									7
PB8	1_SCL, CEC, 16_CH1, TSC_SYNC	61									4
PB9	1_SDA, IR_EVENTOUT, 17_CH1, EVENTOUT	62									3
PB10	2_SCL, CEC, 2_CH3, SYNC	29								30	
PB11	2_SDA, 2_CH4, G6_IO1, EVENTOUT	30								31	
PB12	2_NSS, 1_BKIN, G6_IO2, EVENTOUT	33								32	
PB13	2_SCK, 1_CH1N, G6_IO3	34									32

**Table 6. MCU pin description versus board function (page 5 of 7)**

MCU pin			Board function								
Main function	Alternate functions	LQFP64	Push button	LED	SWD	OSC	Free I/O	Power supply	CN3	P1	P2
PB14	2_MISO, 1_CH2N, 15_CH1, G6_IO4	35									31
PB15	2_MOSI, 1_CH3N, 15_CH1N, 15_CH2, RTC_REFIN	36									30
PC0	IN10, EVENTOUT	8								11	
PC1	IN11, EVENTOUT	9								12	
PC2	IN12, EVENTOUT	10								13	
PC3	IN13, EVENTOUT	11								14	
PC4	IN14, EVENTOUT	24								25	
PC5	IN15, TSC_G3_IO1	25								26	
PC6	3_CH1	37									29
PC7	3_CH2	38									28
PC8	3_CH3	39		BLUE							27
PC9	3_CH4	40		GREEN							26
PC10		51									15
PC11		52									14
PC12		53									13
PC13	RTC_TAMP1, RTC_TS, RTC_OUT, WKUP2	2								4	



**Table 6. MCU pin description versus board function (page 6 of 7)**

MCU pin			Board function								
Main function	Alternate functions	LQFP64	Push button	LED	SWD	OSC	Free I/O	Power supply	CN3	P1	P2
PC14-OSC32_IN	OSC32_IN	3				OSC32_IN				5	
PC15-OSC32_OUT	OSC32_OUT	4				OSC32_OUT				6	
PD2	3_ETR	54									12
PF0-OSC_IN	OSC_IN	5				OSC_IN				7	
PF1-OSC_OUT	OSC_OUT	6				OSC_OUT				8	
PF4	EVENTOUT	18								19	
PF5	EVENTOUT	19								20	
PF6	2_SCL	47									19
PF7	2_SDA	48									18
VBAT	VBAT	1								3	
VDD_1		64									
VDD_2		32									
VDDA		13									
VSS_1		63									
VSS_2		31									
VSSA		12									
								5V			1
								3V		1	
								VDD			5
								GND		2	2
					GND			GND	3		

**Table 6. MCU pin description versus board function (page 7 of 7)**

MCU pin			Board function								
Main function	Alternate functions	LQFP64	Push button	LED	SWD	OSC	Free I/O	Power supply	CN3	P1	P2
								GND		6	
								GND		33	33

## 5 Connecting modules on the prototyping board

This section gives some examples of how to connect ready-to-use modules available from different manufacturers to the STM32F0DISCOVERY kit via the prototyping board included in the kit.

Software examples, based on the connections described below, are available at [www.st.com/stm32f0discovery](http://www.st.com/stm32f0discovery).

### 5.1 Mikroelektronika accessory boards

Mikroelektronika, <http://www.mikroe.com>, has specified two standard connectors for their accessory boards, named mikroBUS™ ([http://www.mikroe.com/mikrobus\\_specs.pdf](http://www.mikroe.com/mikrobus_specs.pdf)) and IDC10.

mikroBUS™ is a 16-pin connector to connect accessory boards very quickly and easily to a microcontroller board through SPI, USART or I2C communications, along with additional pins such as Analog Input, PWM and Interrupt.

The set of mikroElektronika boards compatible with mikroBUS™ is called “Click boards”.

IDC10 is a 10-pin connector to connect the general purpose I/O of an MCU to other accessory boards.

The tables below are one solution for connecting mikroBUS™ and IDC boards to the STM32F0DISCOVERY; this solution used in the different examples is available at [www.st.com/stm32f0discovery](http://www.st.com/stm32f0discovery).

**Table 7. Connecting using mikroBUS™**

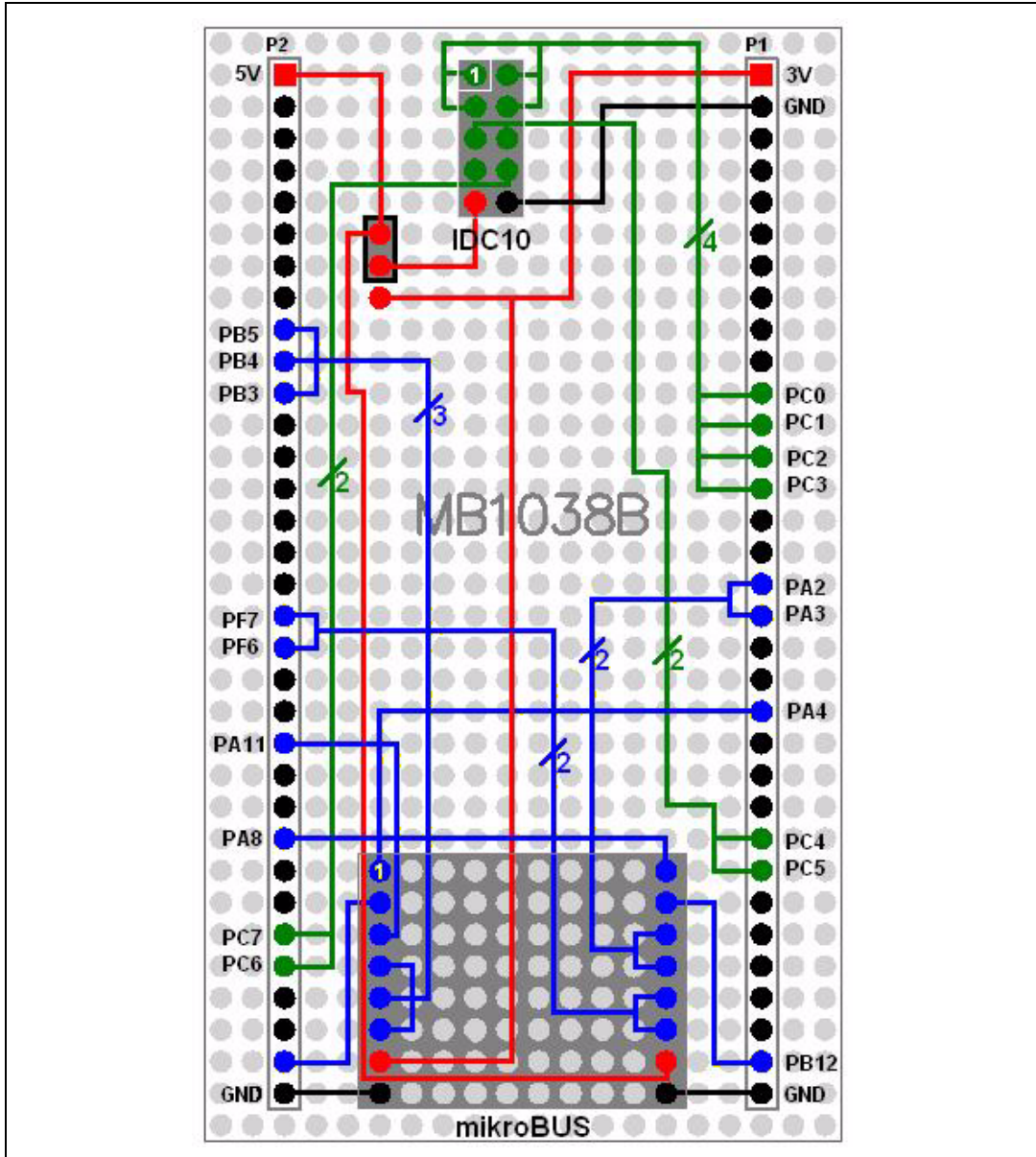
Mikroelektronika mikroBUS™		STM32F0DISCOVERY	
Pin	Description	Pin	Description
AN	Analog pin	PA4	DAC1_OUT
RST	Reset pin	PB13	GPIO OUTPUT (5V tolerant)
CS	SPI Chip Select line	PA11	GPIO OUTPUT (5V tolerant)
SCK	SPI Clock line	PB3	SPI1_SCK
MISO	SPI Slave Output line	PB4	SPI1_MISO
MOSI	SPI Slave Input line	PB5	SPI1_MOSI
PWM	PWM output line	PA8	TIM1_CH1
INT	Hardware Interrupt line	PB12	GPIO INPUT EXTI (5V tolerant)
RX	UART Receive line	PA3	USART2_RX
TX	UART Transmit line	PA2	USART2_TX
SCL	I2C Clock line	PF6	I2C2_SCL
SDA	I2C Data line	PF7	I2C2_SDA
5V	VCC 5V power line	5V	Power line

**Table 8. Connecting using IDC10**

Mikroelektronika IDC10 connector		STM32F0DISCOVERY	
P0	GPIO	PC0	GPIO OUTPUT (3.3V tolerant)
P1	GPIO	PC1	GPIO OUTPUT (3.3V tolerant)
P2	GPIO	PC2	GPIO OUTPUT (3.3V tolerant)
P3	GPIO	PC3	GPIO OUTPUT (3.3V tolerant)
P4	GPIO	PC4	GPIO OUTPUT (3.3V tolerant)
P5	GPIO	PC5	GPIO OUTPUT (3.3V tolerant)
P6	GPIO	PC6	GPIO OUTPUT (5V tolerant)
P7	GPIO	PC7	GPIO OUTPUT (5V tolerant)
VCC	VCC 5V power line	3V	VDD
GND	Reference Ground	GND	VSS
P0	GPIO	PC0	GPIO OUTPUT (3.3V tolerant)
P1	GPIO	PC1	GPIO OUTPUT (3.3V tolerant)
P2	GPIO	PC2	GPIO OUTPUT (3.3V tolerant)
P3	GPIO	PC3	GPIO OUTPUT (3.3V tolerant)

The *Figure 10* illustrates the connections between the STM32F0 Discovery and the 2 connectors, IDC10 and mikroBUS™.

**Figure 10. Using IDC10 and mikroBUS™ connectors**



## 5.2 ST MEMS “adapter boards”, standard DIL24 socket

STMicroelectronics has defined a standard DIL24 connector to easily evaluate its MEMS sensors connected to a microcontroller through SPI or I2C communications.

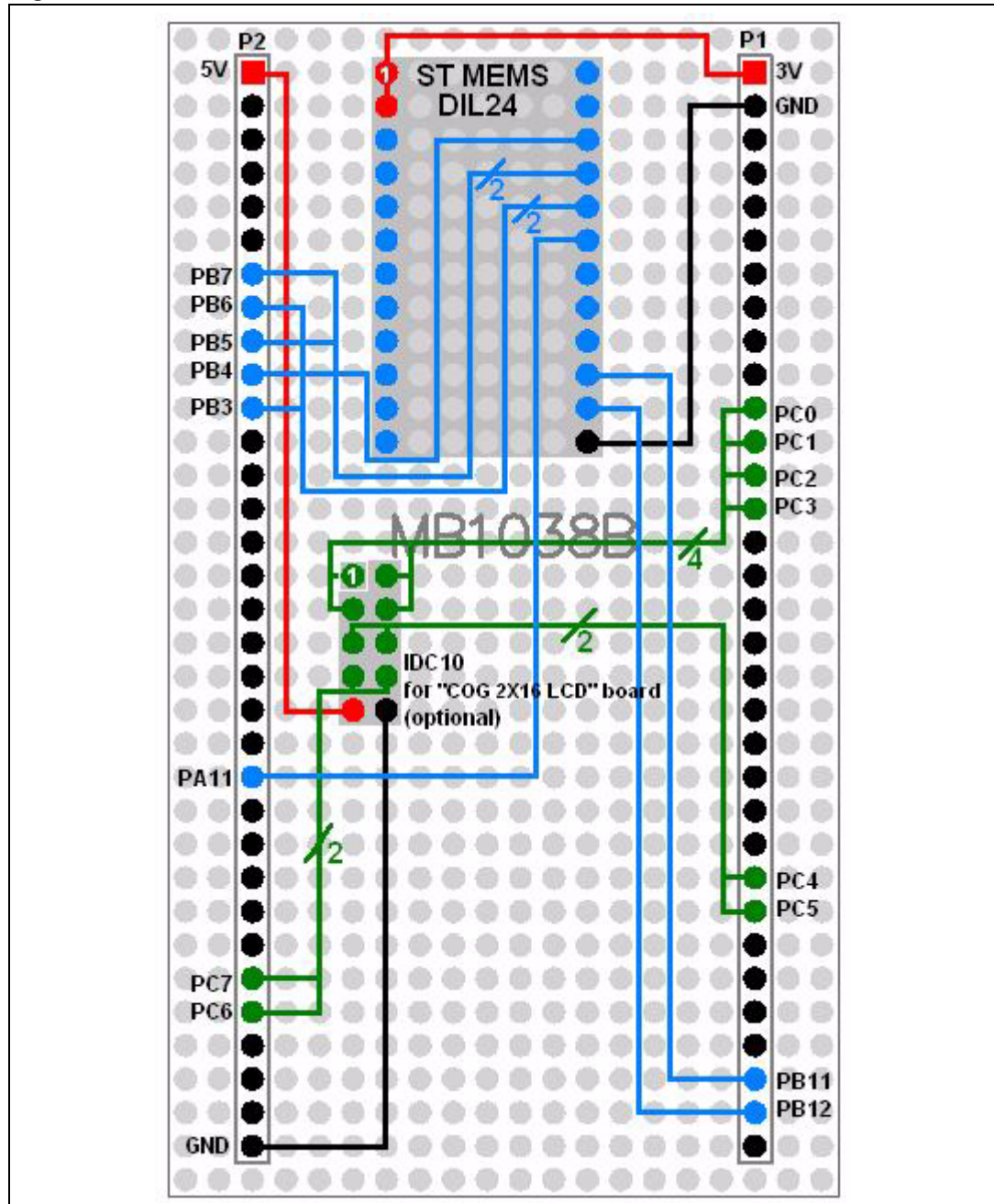
[Table 9](#) is one solution for connecting the DIL24 boards to the STM32F0DISCOVERY, this solution is used in different examples and available at [www.st.com/stm32f0discovery](http://www.st.com/stm32f0discovery).

**Table 9. Connecting with a DIL24 board**

ST MEMS DIL24 Eval board		STM32F0DISCOVERY	
P01	VDD Power supply	3V	VDD
P02	Vdd_IO Power supply for I/O pins	3V	VDD
P03	NC		
P04	NC		
P05	NC		
P06	NC		
P07	NC		
P08	NC		
P09	NC		
P10	NC		
P11	NC		
P12	NC		
P13	GND 0V supply	GND	GND
P14	INT1 Inertial interrupt 1	PB12	GPIO INPUT EXTI (5V tolerant)
P15	INT2 inertial interrupt 2	PB11	GPIO INPUT EXTI (5V tolerant)
P16	NC		
P17	NC		
P18	NC		
P19	CS - 0:SPI enabled 1:I2C mode	PA11	GPIO OUTPUT (5V tolerant)
P20	SCL (I2C serial clock) SPC (SPI serial clock)	PB6 PB3	I2C1_SCL SPI1_SCK
P21	SDA I2C Serial Data SDI SPI Serial Data Input	PB7 PB5	I2C1_SDA SPI1_MOSI
P22	SDO SPI Serial Data Output I2C less significant bit of the device address	PB4	SPI1_MISO
P23	NC		
P24	NC		

Figure 11 illustrates the connections between the STM32F0 Discovery and the DIL24 socket.

Figure 11. DIL24 socket connections



## Supported MEMS adapter boards

Table 10 is a list of supported MEMS adapter boards as of April, 2012.

**Table 10. Supported MEMS adapter boards**

ST MEMS DIL24 Eval Board	Core product
STEVAL-MKI009V1	LIS3LV02DL
STEVAL-MKI013V1	LIS302DL
STEVAL-MKI015V1	LIS344ALH
STEVAL-MKI082V1	LPY4150AL
STEVAL-MKI083V1	LPY450AL
STEVAL-MKI084V1	LPY430AL
STEVAL-MKI085V1	LPY410AL
STEVAL-MKI086V1	LPY403AL
STEVAL-MKI087V1	LIS331DL
STEVAL-MKI088V1	LIS33DE
STEVAL-MKI089V1	LIS331DLH
STEVAL-MKI090V1	LIS331DLF
STEVAL-MKI091V1	LIS331DLM
STEVAL-MKI092V1	LIS331HH
STEVAL-MKI095V1	LPR4150AL
STEVAL-MKI096V1	LPR450AL
STEVAL-MKI097V1	LPR430AL
STEVAL-MKI098V1	LPR410AL
STEVAL-MKI099V1	LPR403AL
STEVAL-MKI105V1	LIS3DH
STEVAL-MKI106V1	LSM303DLHC
STEVAL-MKI107V1	L3G4200D
STEVAL-MKI107V2	L3GD20
STEVAL-MKI108V1	9AXISMODULE v1 [LSM303DLHC + L3G4200D]
STEVAL-MKI108V2	9AXISMODULE v2 [LSM303DLHC + L3GD20]
STEVAL-MKI110V1	AIS328DQ
STEVAL-MKI113V1	LSM303DLM
STEVAL-MKI114V1	MAG PROBE (based on LSM303DLHC)
STEVAL-MKI120V1	LPS331AP
STEVAL-MKI122V1	LSM330DLC
STEVAL-MKI123V1	LSM330D
STEVAL-MKI124V1	10AXISMODULE [LSM303DLHC + L3GD20+ LPS331AP]
STEVAL-MKI125V1	A3G4250D

*Note:* For an up-to-date list, visit <http://www.st.com/internet/evalboard/subclass/1116.jsp>. The DIL24 boards are described as “adapter boards” in the field “General Description”.



## 5.3 Arduino shield boards

Arduino™ is an open-source electronics prototyping platform based on flexible, easy-to-use hardware and software. See <http://www.arduino.cc> for more information.

Arduino accessory boards are called “Shields” and can be easily connected to the STM32F0 Discovery according to the following table.

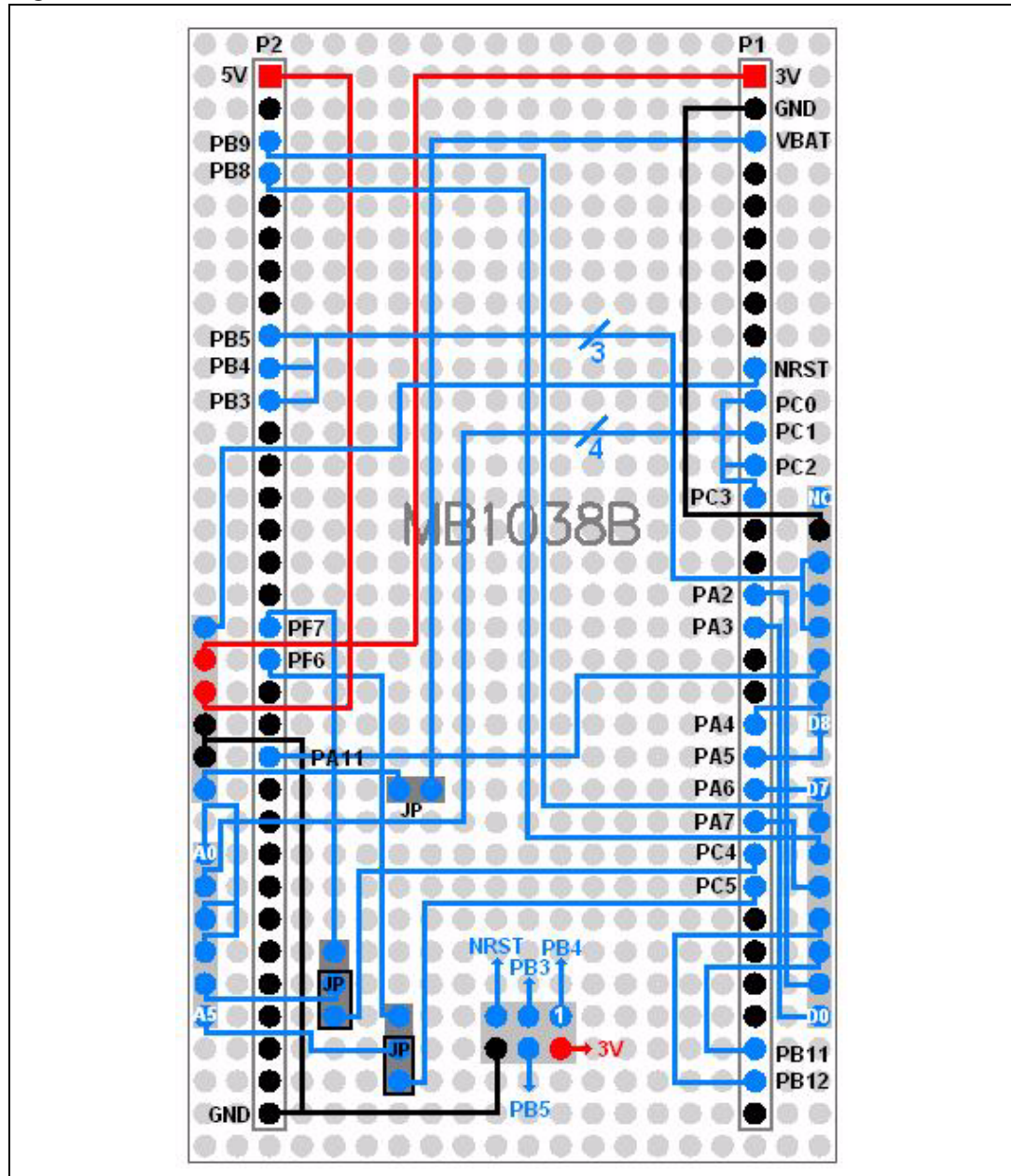
**Table 11. Connecting with Arduino shields**

Connecting with Arduino shields			
Arduino power connector		STM32F0DISCOVERY	
Reset	Reset from Shield board	NRST	Reset discovery
3V3	VCC 3.3V power line	3V	VDD
5V	VCC 5V power line	5V	VDD
GND	Reference Ground	GND	Reference Ground
GND	Reference Ground	GND	Reference Ground
Vin	External alimentation	VBAT	Jumper to fit
Arduino analog in connector		STM32F0DISCOVERY	
A0	Analog input or Digital pin 14	PC0	ADC_IN10
A1	Analog input or Digital pin 15	PC1	ADC_IN11
A2	Analog input or Digital pin 16	PC2	ADC_IN12
A3	Analog input or Digital pin 17	PC3	ADC_IN13
A4	Analog input or SDA or Digital pin 18	PC4 or PF7	ADC_IN14 or I2C2_SDA
A5	Analog input or SCL or Digital pin 19	PC5 or PF6	ADC_IN15 or I2C2_SCL
Arduino digital connector		STM32F0DISCOVERY	
D0	Digital pin 0 or RX	PA3	USART2_RX
D1	Digital pin 1 or TX	PA2	USART2_TX
D2	Digital pin 2 / External interrupt	PB12	EXTI (5V tolerant)
D3	Digital pin 3 / Ext int or PWM	PB11	EXTI (5V tolerant) or TIM2_CH4
D4	Digital pin 4	PA7	GPIO (3V tolerant)
D5	Digital pin 5 or PWM	PB9	TIM17_CH1
D6	Digital pin 6 or PWM	PB8	TIM16_CH1
D7	Digital pin 7	PA6	GPIO (3V tolerant)
D8	Digital pin 8	PA5	GPIO (3V tolerant)
D9	Digital pin 9 or PWM	PA4	TIM14_CH1
D10	Digital pin 10 or CS or PWM	PA11	TIM1_CH4
D11	Digital pin 11 or MOSI or PWM	PB5	SPI1_MOSI or TIM3_CH2
D12	Digital pin 12 or MISO	PB4	SPI1_MISO
D13	Digital pin 13 or SCK	PB3	SPI1_SCK
GND	Reference Ground	GND	Reference Ground
AREF	ADC voltage reference	NC	Not connected

Connecting with Arduino shields (continued)			
Arduino ICSP connector		STM32F0DISCOVERY	
1	MISO	PB4	SPI1_MISO
2	VCC 3.3V	3V	VDD
3	SCK	PB3	SPI1_SCK
4	MOSI	PB5	SPI1_MOSI
5	RST	NRST	Reset discovery
6	GND	GND	Reference Ground

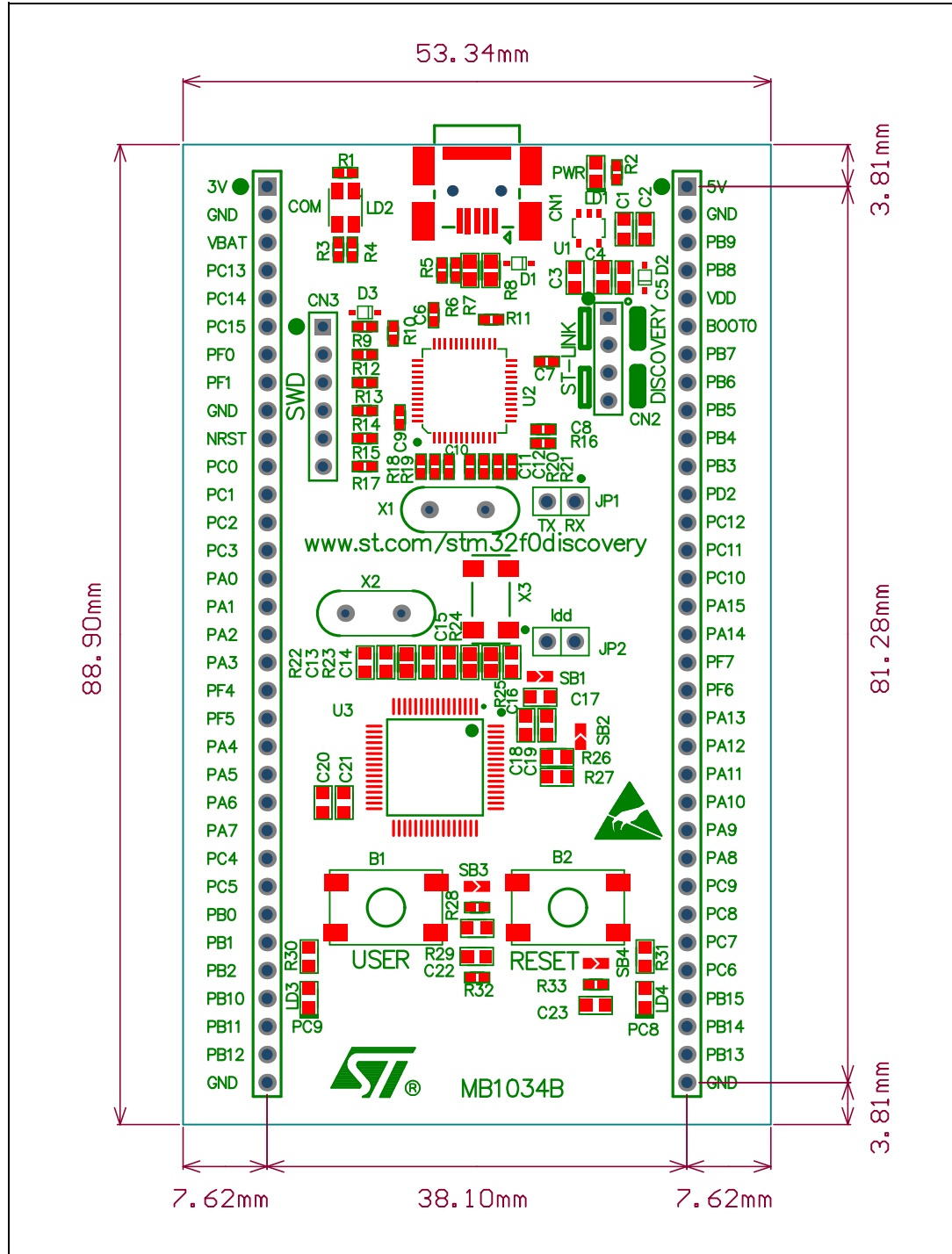
Figure 12 illustrates the connections between the STM32F0 Discovery and the Arduino shield boards.

Figure 12. Arduino shield board connections



# 6 Mechanical drawing

Figure 13. STM32F0DISCOVERY mechanical drawing



# 7 Electrical schematics

Figure 14. STM32F0DISCOVERY

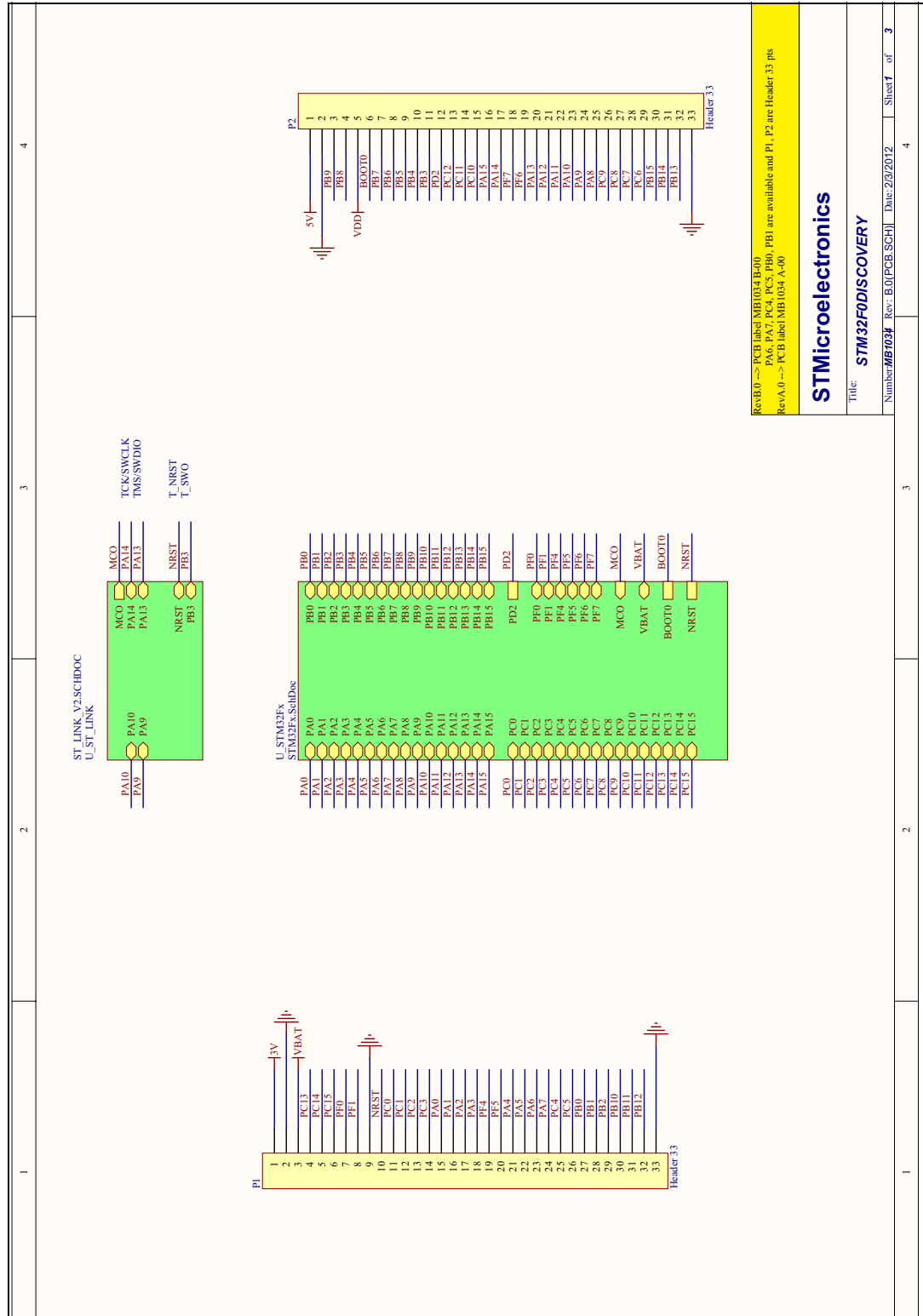
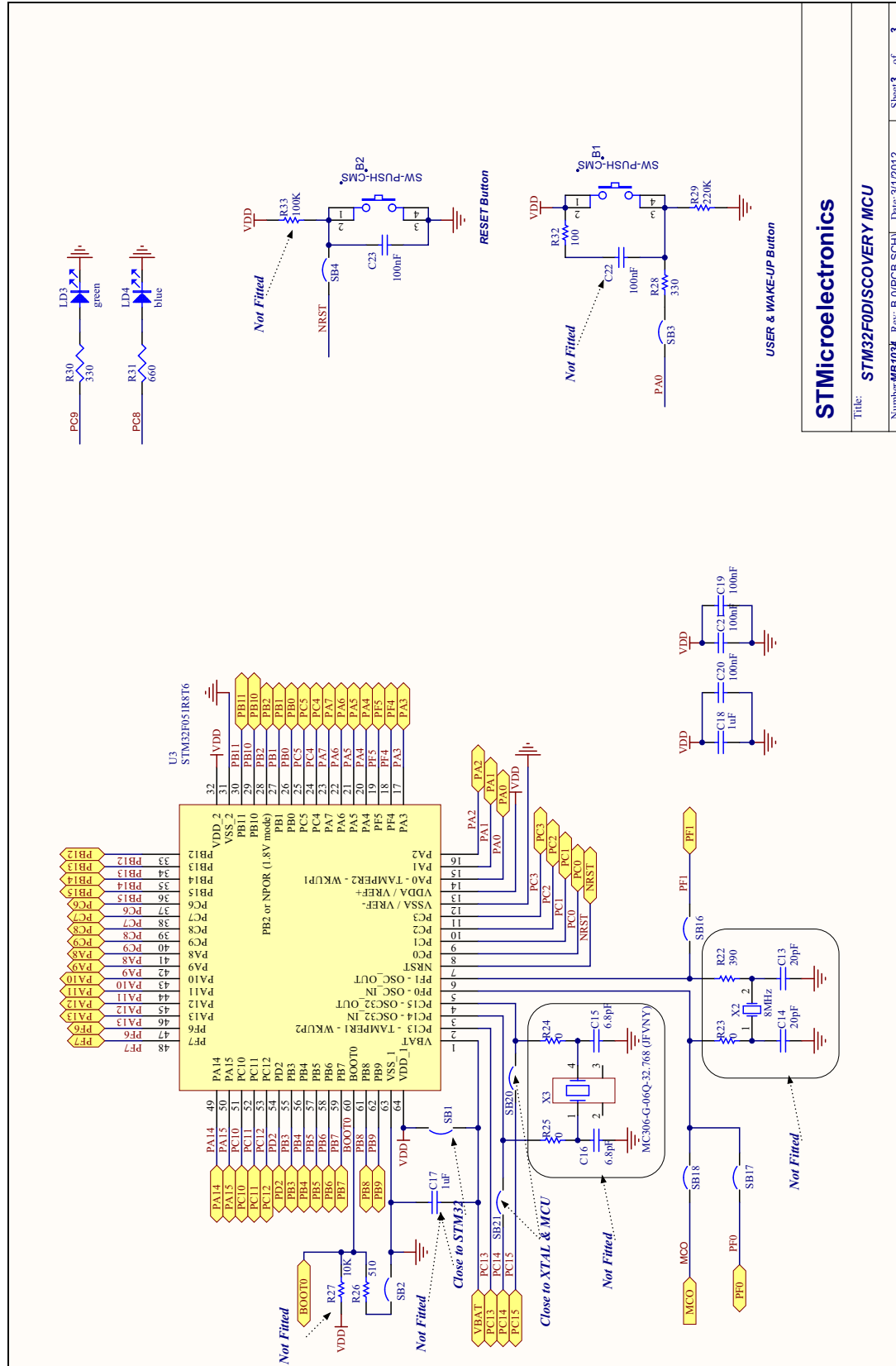




Figure 16. MCU



**STMicroelectronics**

Title: **STM32F0DISCOVERY MCU**

Number: **MB03M** Rev: **B** (DPCB SCH) Date: **31/2012**

Sheet 3 of 3

## 8 Revision history

Table 12. Document revision history

Date	Revision	Changes
20-Mar-2012	1	Initial release.
30-May-2012	2	Added <a href="#">Section 5: Connecting modules on the prototyping board on page 27</a> .



**Please Read Carefully:**

Information in this document is provided solely in connection with ST products. STMicroelectronics NV and its subsidiaries ("ST") reserve the right to make changes, corrections, modifications or improvements, to this document, and the products and services described herein at any time, without notice.

All ST products are sold pursuant to ST's terms and conditions of sale.

Purchasers are solely responsible for the choice, selection and use of the ST products and services described herein, and ST assumes no liability whatsoever relating to the choice, selection or use of the ST products and services described herein.

No license, express or implied, by estoppel or otherwise, to any intellectual property rights is granted under this document. If any part of this document refers to any third party products or services it shall not be deemed a license grant by ST for the use of such third party products or services, or any intellectual property contained therein or considered as a warranty covering the use in any manner whatsoever of such third party products or services or any intellectual property contained therein.

**UNLESS OTHERWISE SET FORTH IN ST'S TERMS AND CONDITIONS OF SALE ST DISCLAIMS ANY EXPRESS OR IMPLIED WARRANTY WITH RESPECT TO THE USE AND/OR SALE OF ST PRODUCTS INCLUDING WITHOUT LIMITATION IMPLIED WARRANTIES OF MERCHANTABILITY, FITNESS FOR A PARTICULAR PURPOSE (AND THEIR EQUIVALENTS UNDER THE LAWS OF ANY JURISDICTION), OR INFRINGEMENT OF ANY PATENT, COPYRIGHT OR OTHER INTELLECTUAL PROPERTY RIGHT.**

**UNLESS EXPRESSLY APPROVED IN WRITING BY TWO AUTHORIZED ST REPRESENTATIVES, ST PRODUCTS ARE NOT RECOMMENDED, AUTHORIZED OR WARRANTED FOR USE IN MILITARY, AIR CRAFT, SPACE, LIFE SAVING, OR LIFE SUSTAINING APPLICATIONS, NOR IN PRODUCTS OR SYSTEMS WHERE FAILURE OR MALFUNCTION MAY RESULT IN PERSONAL INJURY, DEATH, OR SEVERE PROPERTY OR ENVIRONMENTAL DAMAGE. ST PRODUCTS WHICH ARE NOT SPECIFIED AS "AUTOMOTIVE GRADE" MAY ONLY BE USED IN AUTOMOTIVE APPLICATIONS AT USER'S OWN RISK.**

Resale of ST products with provisions different from the statements and/or technical features set forth in this document shall immediately void any warranty granted by ST for the ST product or service described herein and shall not create or extend in any manner whatsoever, any liability of ST.

ST and the ST logo are trademarks or registered trademarks of ST in various countries.

Information in this document supersedes and replaces all information previously supplied.

The ST logo is a registered trademark of STMicroelectronics. All other names are the property of their respective owners.

© 2012 STMicroelectronics - All rights reserved

STMicroelectronics group of companies

Australia - Belgium - Brazil - Canada - China - Czech Republic - Finland - France - Germany - Hong Kong - India - Israel - Italy - Japan - Malaysia - Malta - Morocco - Philippines - Singapore - Spain - Sweden - Switzerland - United Kingdom - United States of America

[www.st.com](http://www.st.com)

