

Country of Origin : China
 Operating Temperature : 0~40 [°C]
 Dimension : 40 x 35x 33 [mm]
 AC Plugs: EU, UK, USA/Japan, Australia, China
 Efficiency level : VI



Approvals / Marks :


Features:

Dual USB inlet charger with Exchangeable AC Plugs.

Wide range Input (90 ~ 264) VAC / (47 ~ 63) Hz.

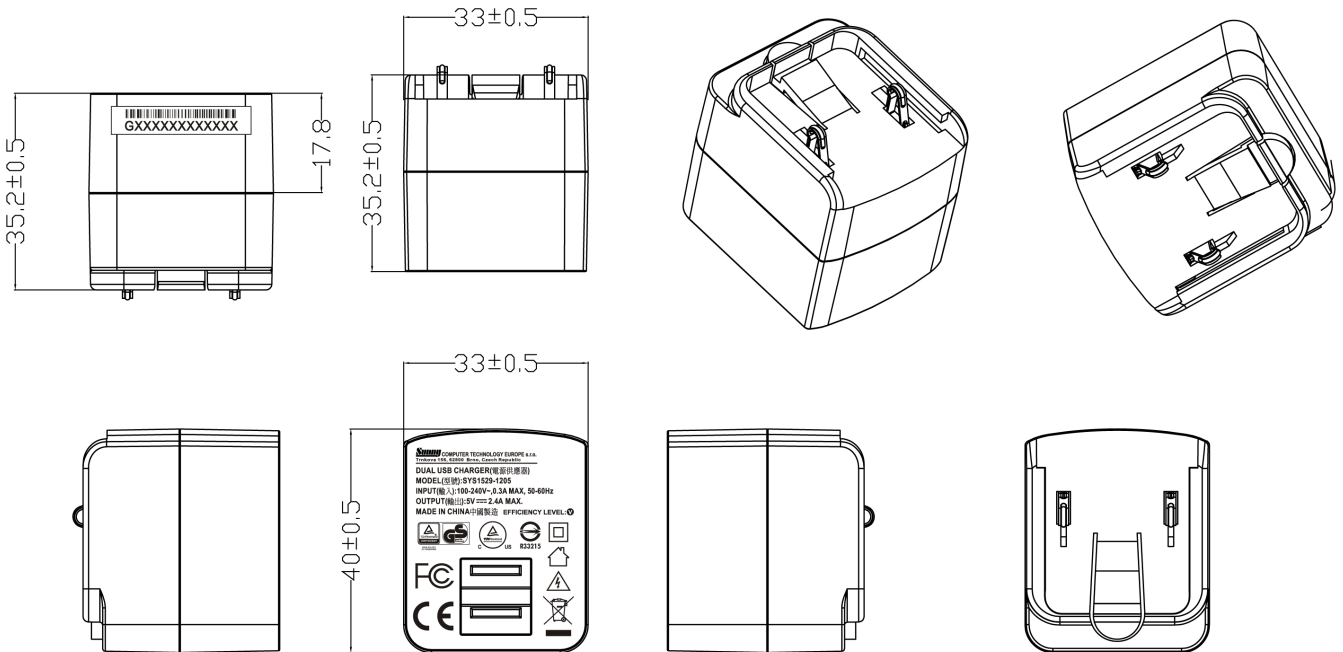
Customer can choose one or more from 5 AC plugs Wxx* (W2 - USA,Canada,Japan | W2A - Australia | W2C - China | W2E - Europe | W3U - England).

Output connector: dual USB inlet

Specification:

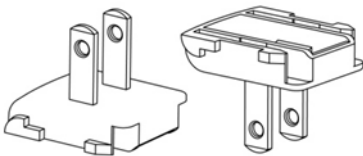
ErP V.	Model	Voltage DC [V]	Efficiency [%]	OCP [A]	OVP [V]	Max. Power [W]	Ripple & Noise [mV]p-p max.	Connector [mm]
	SYS1529-1205	5.0	75	2.5-3.0	max 10V	12	250	USB inlet
note	Max load: 2.4A if 1 USB port is used / 1.2A if 2 USB ports are used							
INPUT	Voltage	(90 ~ 264) VAC						
	Frequency	(47 ~ 63) Hz						
	Current	0.3 A at AC low line input and DC output full load						
	Input surge current	40A/60A max at power supply cold start, ambient temperature 25°C@115Vac/230Vac nominal AC input.						
	Power Efficiency	74.74% minimum average efficiency in active mode (Meet CEC V)						
PROTECTION	Over Current	The power supply will self-protect any output to ground.						
	Over Voltage	The power supply will not be auto recovered when faults remove 110%-150%. (Voltage limit)						
	Short Circuit	Is defined as any output impedance of less than 0.1Ω. The power supply will be auto recovered when short circuit faults remove.						
OUTPUT	Line regulation	-9 % / +5%						
	Hold up time	0.3ms min At AC nominal input@ output full load						
	Standby Power	0.3W max.						
	Cooling	Free air convection						
	M.T.B.F.	500,000 Calculated Hours at 25°C, by Telcordia SR-332						
	Withstand Voltage	I/P-O/P: 3000VAC						
ENVIRONMENT	Temperature	Operating: (0 ~ 40)°C / Storage: (-20 ~ 85)°C						
	Humidity	Operating: (8 ~ 90)% RH / Storage: (5 ~ 95)% RH						
SAFETY	CB FCC CE cTUVus GS							
CE	EMC	2014/30/EU						
	LVD	2014/35/EU EN 60950-1:2006+A11+A1+A12+A2						
WEIGHT	1pc	N.W.: 38g / pcs + plug						
PACKING	Box	0.455 x 0.390x 0.200 [m]						
		400pcs / 1box						
		G.W.: 18,1kg / box						

Mechanical case specification:

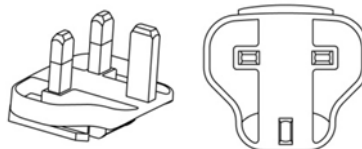


Mechanical specification (country housing):

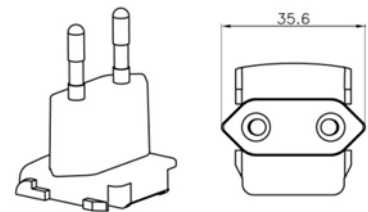
US / Japan type (W2)



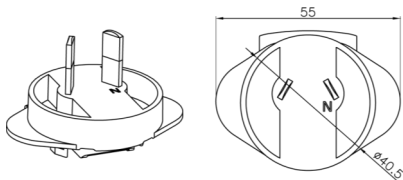
UK type (W3U)



Europe type (W2E)



Australia type (W2A)



China type (W2C)

