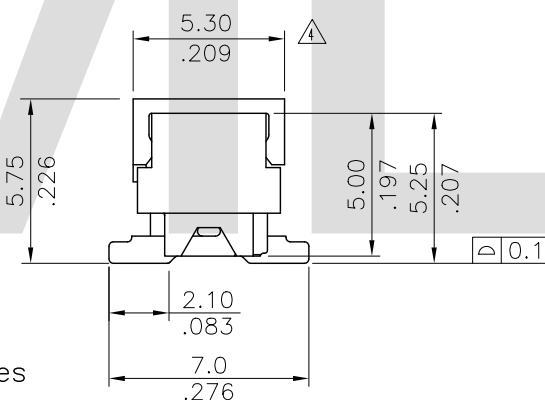
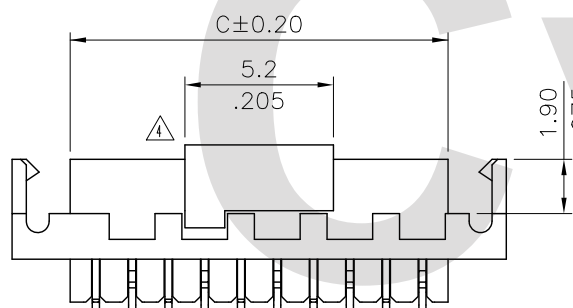
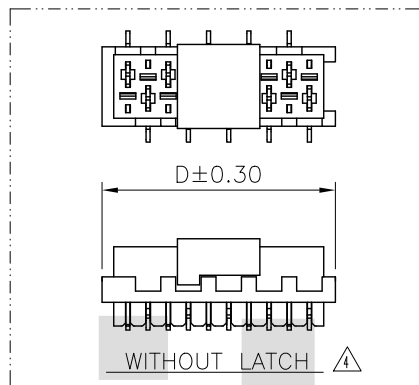


Material:

* Insulation:

High Temperature Plastic UL 94V-0

* Contact: Phosphor Bronze



DIM.A= 1.27 x No. of Spaces

DIM.B= DIM.A + 5.87

DIM.C= DIM.A + 1.80

DIM.D= DIM.A + 3.27

*Available in 4 ~ 26 Circuits

Ordering Code:

CA32 ** M 1 3 0 0
 ① ② ③ ④ ⑤ ⑥ ⑦

① Series No.:

② No. of Circuits: 04 to 26

③ Contacts Type:

M= SMT Type

④ Plating option:

1= Tin over Nickel plated

(Matte Tin plated)

⑤ Color: 3= Red

⑥ Pad Option: 0= With Pad (Reel Packing)

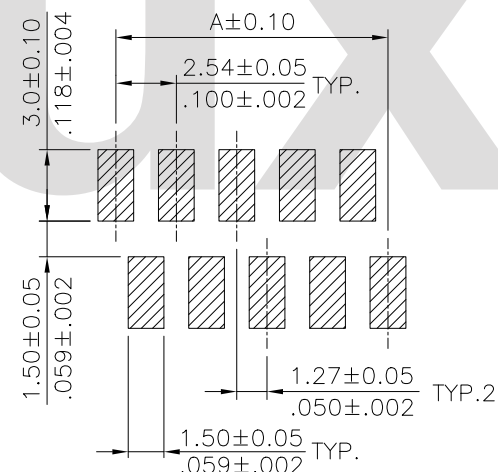
P= Without Pad (Reel Packing)

D= With Pad (Tube Packing)

T= Without Pad (Tube Packing)

⑦ Latch Option: 0= Without Latch


L= With Latch



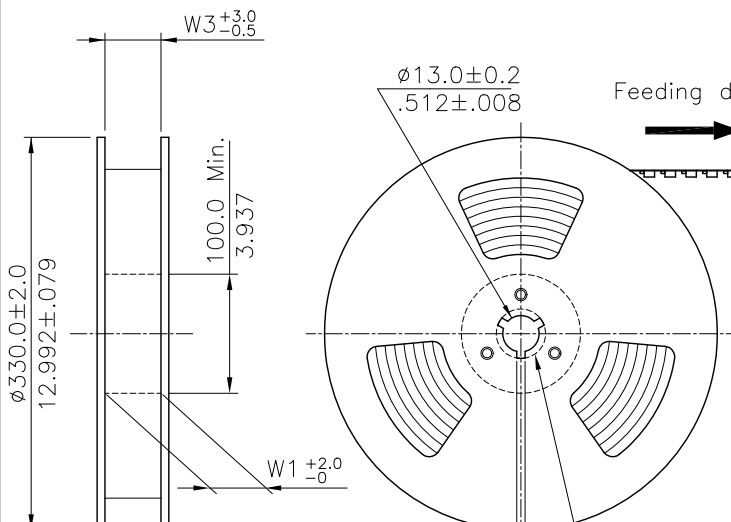
Recommended P.C. Board Layout

Lead Free Process

RoHS Compliant

④	Sun	7/28-10'	ECN10269/ECR10097-0		DATE	UNIT: mm / inch	TITLE: 1.27mm Pitch Female Top entry SMT Type Connector	 瀚荃股份有限公司 CviLux Corporation
③	Sandy	4/02-08'	ECN08159	DRAWN BY: Sun	8/13-10'	TOLERANCE UNLESS OTHERWISE SPECIFIED	MATERIAL:	
②	Sandy	10/04-07	ECN07378	ENGINEER: Eisle	8/15-10'	.X ± 0.3/.012 X: ± 1'	FINISH:	DRAWING NO. CA3203SE
①	Sandy	4/29-07'	ECN07153	CHECKED BY: Eisle	8/15-10'	.XX ± 0.2/.008 .X: ±		PART NO. CA32**M13**
SYM	NAME	DATE	REVISIONS	APPROVED BY: David	8/15-10'	.XXX ± 0.1/.004 .XX: ±	SCALE 4 / 1	SHEET 1 OF 2

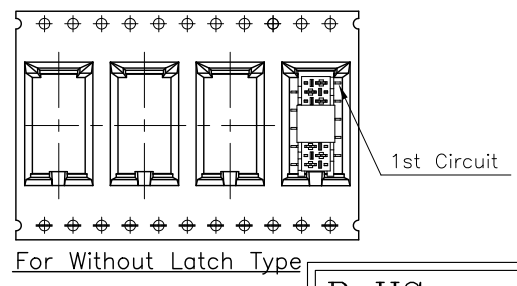
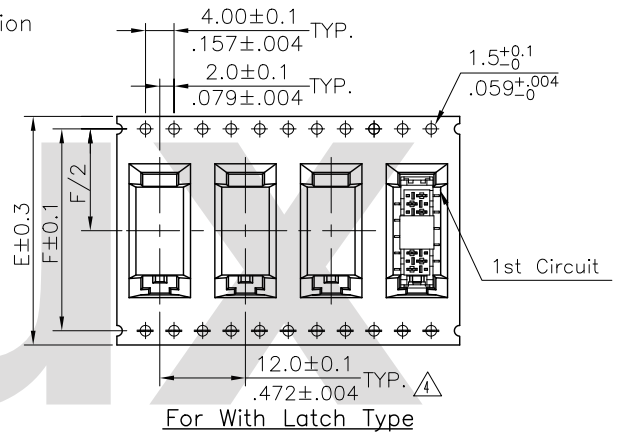
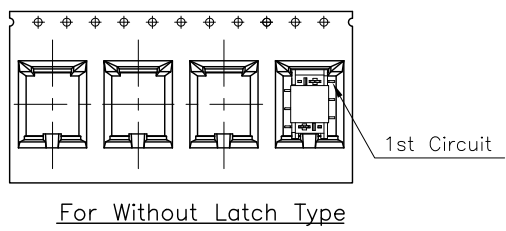
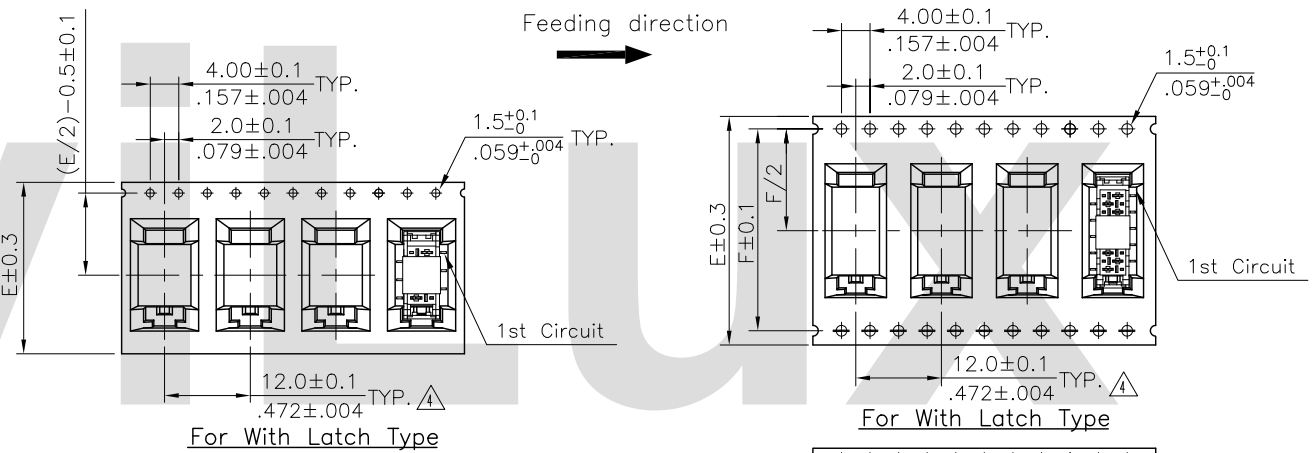
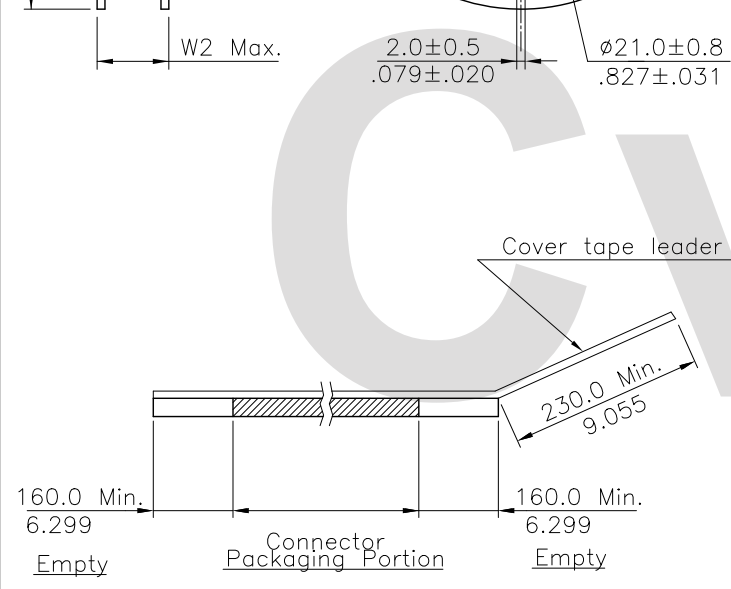
CIVILUX CORP
 2010.08.17
 ISSUED



NOTES:

1. 10 sprocket hole pitch cumulative tolerance ± 0.20 mm.
2. Carrier camber not to exceed 1 mm in 100 mm.
3. Material :Transparent Anti-static Polysyrene.
4. All dimensions meet EIA-481-3 requirements.
5. Thickness : 0.40 ± 0.05 mm.
6. Packing length per 22" Reel : 30.6 Meters.
7. Component load per 13" Reel : 800 pcs.


P/N:CA32**M13*0	P/N:CA32**M13*L	Dimension					Packing (Reel/Caton)
		Circuits	E	F	W1	W2	
4~8	4~8	24.0(.945)	-	24.5(.965)	30.5(1.201)	24.5(.965)	9
10~14	10~12	32.0(1.260)	28.40(1.118)	32.5(1.280)	38.5(1.516)	32.5(1.280)	7
16~24	14~20	44.0(1.732)	40.40(1.596)	44.5(1.752)	50.5(1.988)	44.5(1.752)	5
26	22~26	56.0(2.205)	52.40(2.063)	56.5(2.224)	62.5(2.461)	56.5(2.224)	4



WIDTH : 24 mm Carrier

WIDTH : 32.44.56 mm Carrier

RoHS Compliant

4	Sun	7/28-10'	ECN10269/ECR10097-0	DATE	UNIT: mm / inch	TITLE: 1.27mm Pitch Female Top entry SMT Type Connector	 瀚荃股份有限公司 CviLux Corporation
3	Sandy	4/02-08'	ECN08159	DRAWN BY: Sun	TOLERANCE UNLESS OTHERWISE SPECIFIED	MATERIAL:	
2	Sandy	10/04-07'	ECN07378	ENGINEER: Easley	.X ± X' ± 1'	FINISH:	DRAWING NO. CA3203SE
1	Sandy	4/29-07'	ECN07153	CHECKED BY: Easley	.XX ± X' ±		PART NO. CA32**M13**
SYM	NAME	DATE	REVISIONS	APPROVED BY: David	.XXX ± XX' ±	SCALE	SHEET 2 OF 2

CVILUX CORP
 2010.08.17
 ISSUED