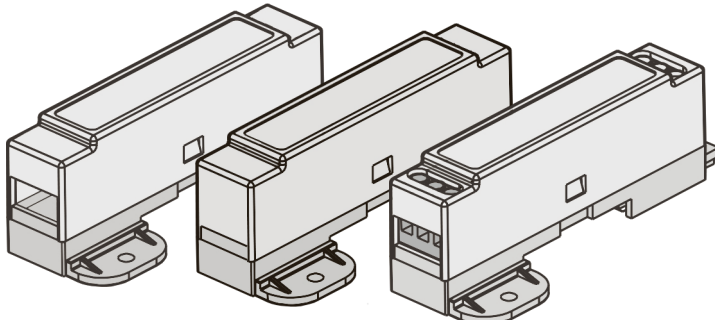


"Intelligent designs for high productivity"

1 MODULE ENCLOSURE LOW

FOR M36 DIN-RAIL

SERIES
M1 LOW



For fixed terminals

Closed for milling

Pluggable

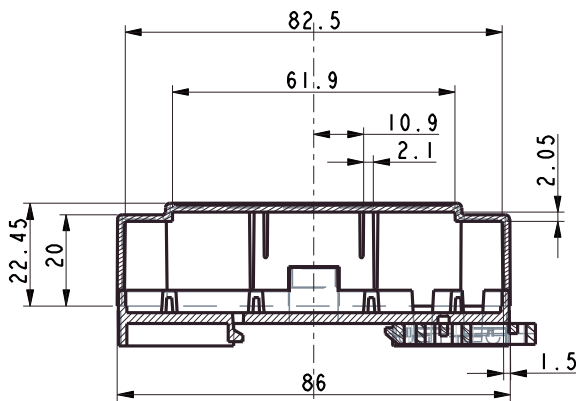
M1 low module enclosure.

A simple and low cost two pcs enclosure for compact applications.

Options: For fixed or pluggable terminals and closed for milling. Printed numbers and symbols on the cover also available.

Series M1 low is, if requested, available with customer specified holes in front.

Prototype PCB, customized label and packing are available.



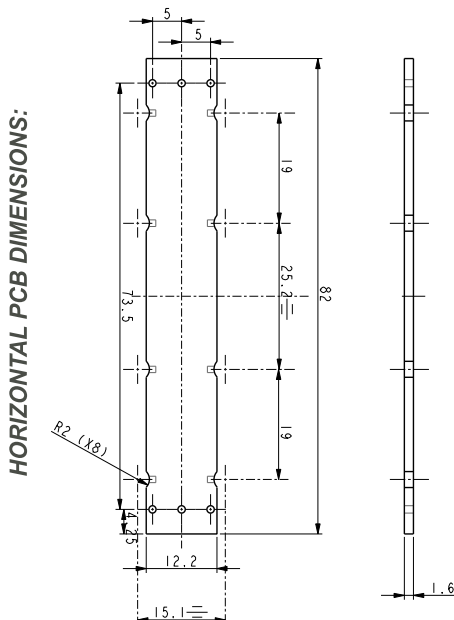
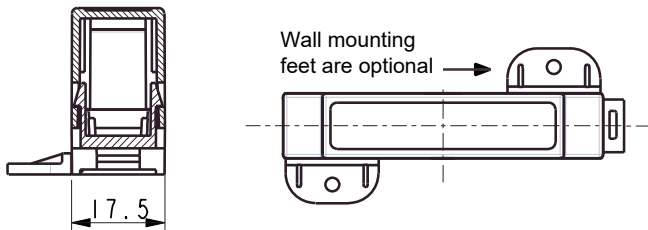
TECHNICAL DATA

TOP PART:

Material: PC (other on request)
 Colour: Grey (RAL 7035) other on request
 Width: 17.5 mm (1 module)
 Label area: 12.2 x 60.0 mm

BASE PART:

Material: Noryl (other on request)
 Colour: Black (RAL 9005) other on request
 Terminals: Up to 6 fixed or (2x3) pluggable
 Mounting: DIN-rail (EN50022)



TYPE M1 LOW	ORDER CODE
Complete 257 for pluggable	p/n 8078010170
Complete 605 for fixed or screwless terminals	p/n 8078010171
Complete, closed, no terminals	p/n 8078010172
Top part, grey, closed	p/n 7078010170
Top part, grey, 257	p/n 7078010171
Top part, grey, 605 fixed terminals	p/n 7078010172
Terminal for M1, 257/3, HO/A, PCB part	p/n 1155703580
Terminal for M1, 256/3, wire part	p/n 1155603080
Terminal for M1 605/3, fixed terminals	p/n 3950143108
Screw/self-cutting 2 pcs	p/n 7006102965
Base part M1 with clip and 2 screws	p/n 4969002170
DIN-rail clip for M1	p/n 0669000225