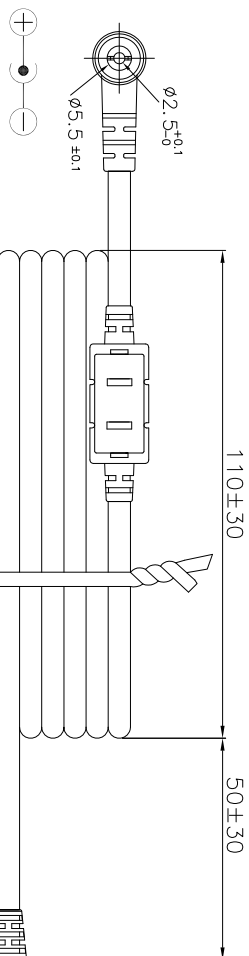
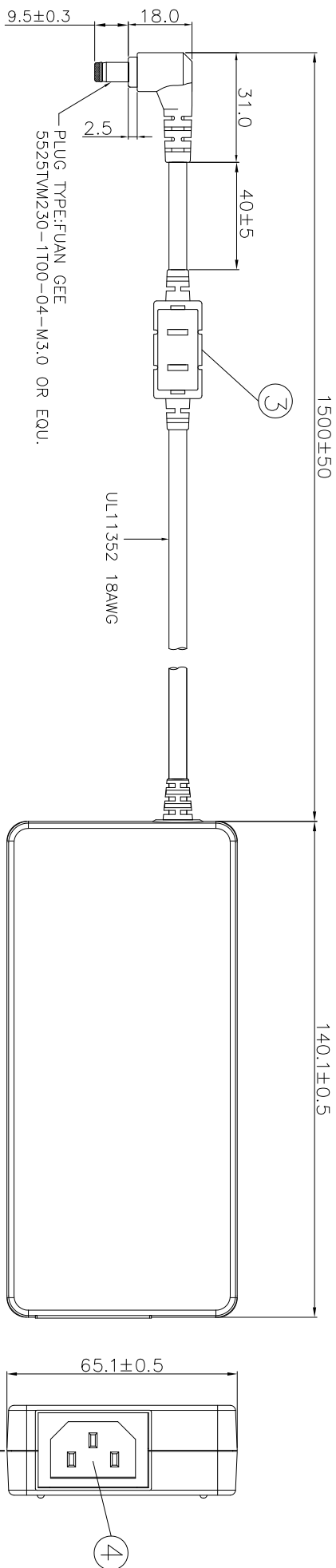
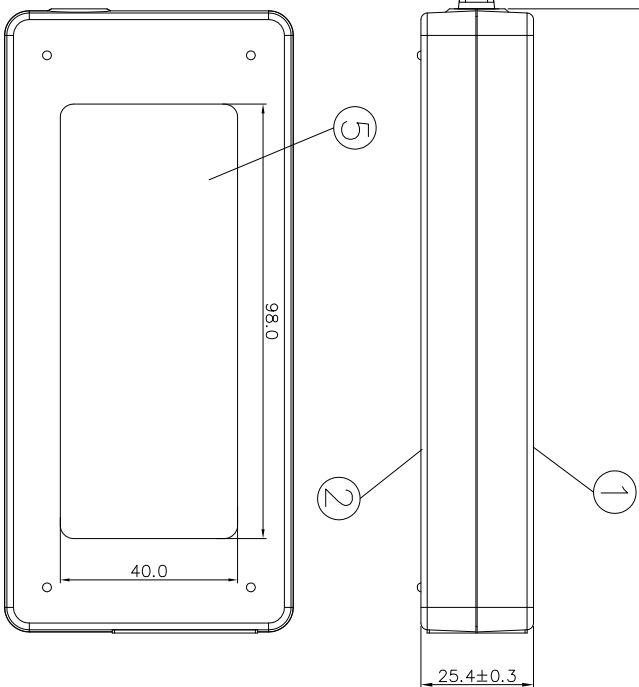


外觀圖





ITEM	PART NAME	COLOR
1	COVER	BLACK
2	CHASSIS	BLACK
3	POWER CORD	BLACK
4	SOCKET	BLACK
5	LABEL	BLACK



P/N.: 9NNA0907810

THIRD ANGLE PROJECTION	DIMENSIONAL TOLERANCES	HOLDS : ±0.05	ANGLES : ±0.0°
()	()	()	()
()	()	()	()

Functional Ground R/C Type:	FPS STD
R = 0 ohm; C = Not Assembled	

SCALE:	UNIT: mm
>30-100 ±0.3	1:1
>100-200 ±0.4	1:1
>200-300 ±0.5	1:1
>300 ±0.6	1:1

MODEL NO.:	R&D Division	PE	ME	DATE
FSP090-ABAN3	L.J	Angela	Angela	2019/03/29
INTERIOR COUNTERSIGN:				