

REVISION RECORD

REV	ECN	DESCRIPTION	DRFT	DATE
-----	-----	-------------	------	------

NOTES1:

- UL Standard
- 1.Rated voltage/current : 300V / 2A
- 2.Wire range : 24~20AWG

IEC Standard

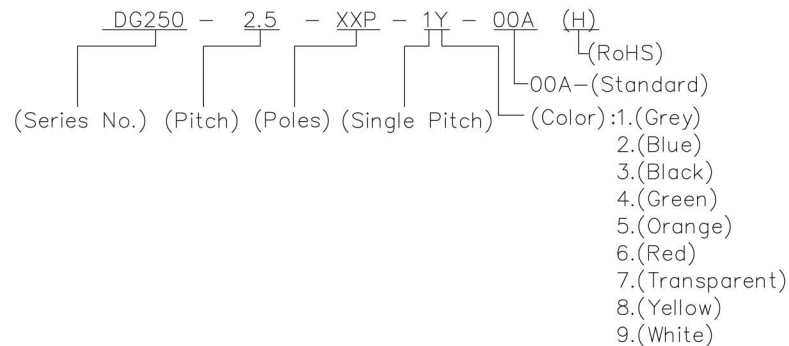
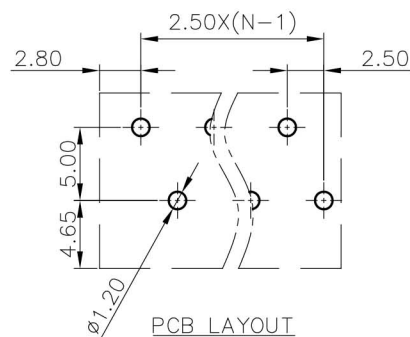
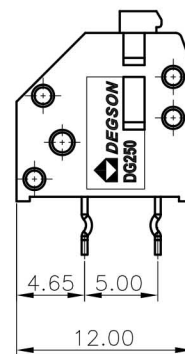
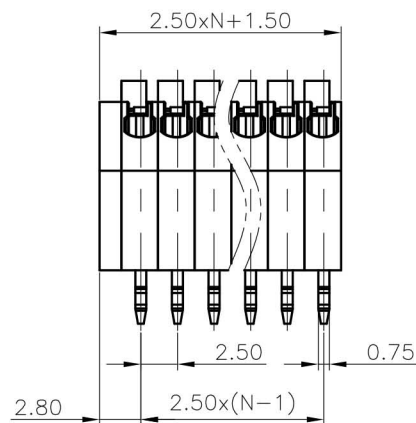
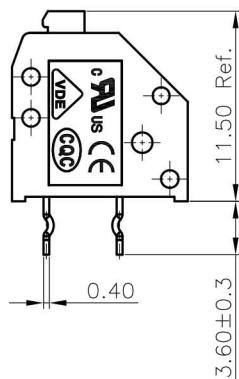
- 1.Rated voltage/current : 250V / 2A
- 2.Wire range : 0.2~0.5mm<sup>2</sup>

NOTES2:

- 1.Dimension shall be interpreted per ASME Y14.5-2009
- 2.Pitch : 2.50mm, Poles : N=01~XXP
- 3.Stripping length : 8.5~9.5mm
- 4.Withstanding voltage : AC2000V/1Min.
- 5.Operating temperature : -40°C~+105°C
- 6.Undimensioned tolerances:

Pitch range in mm		Nominal dimension range in mm					
TO	Over TO	Over TO	Over TO	Over TO	Over TO	0.1/10	
6	10	24	30	60	100	150	
±0.15	±0.20	±0.30	±0.30	±0.50	±0.70	±1.00	±1.30
							±2"

7.RoHS Compliance



DETACHED LISTS	PART NO.:	宁波高松电子有限公司 NINGBO DEGSON ELECTRICAL CO.,LTD			
	APPD:	NAME: DG250-2.5-XXP-1Y-00A(H)			
	CHKD:	TITLE: CUSTOMER DRAWING			
	DRFT:	REV: /		DO: /	
	THIRD ANGLE PROJECTION		DRAWING NO.: /		SHEET: 1/1
		DO NOT SCALE DRAWING		SCALE: 1:1	